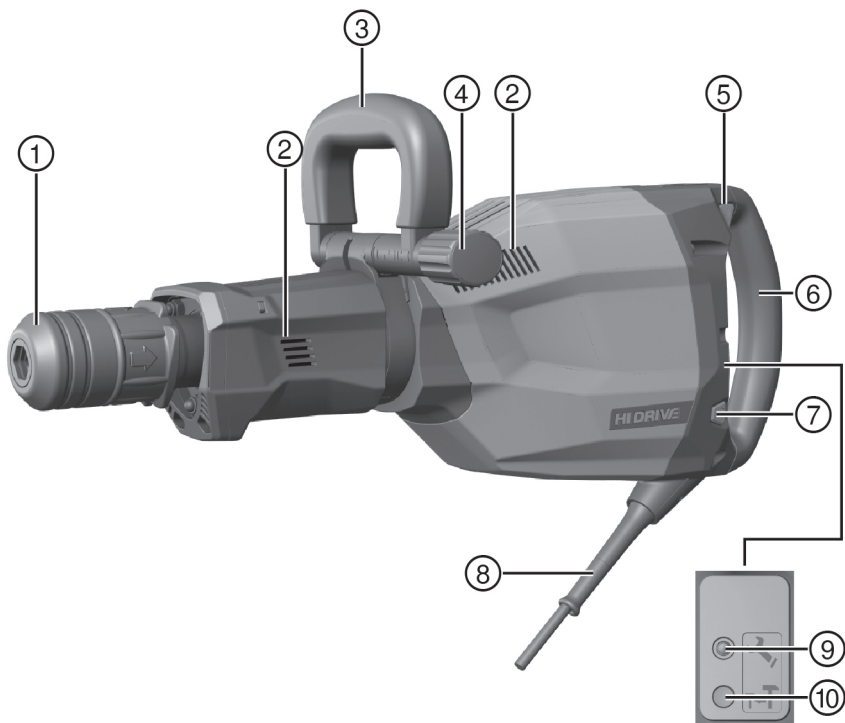


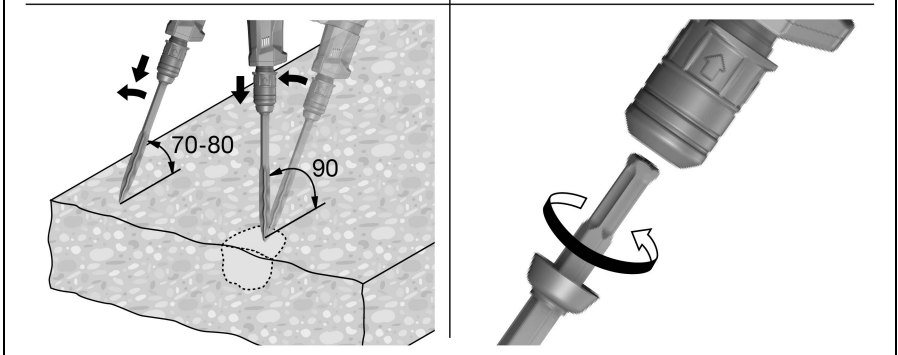
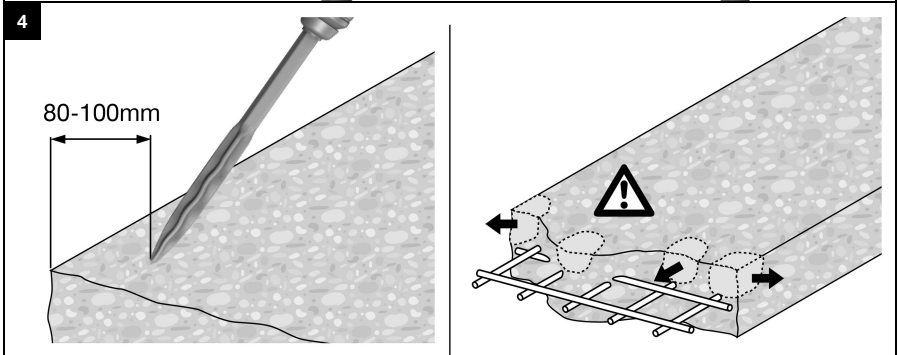
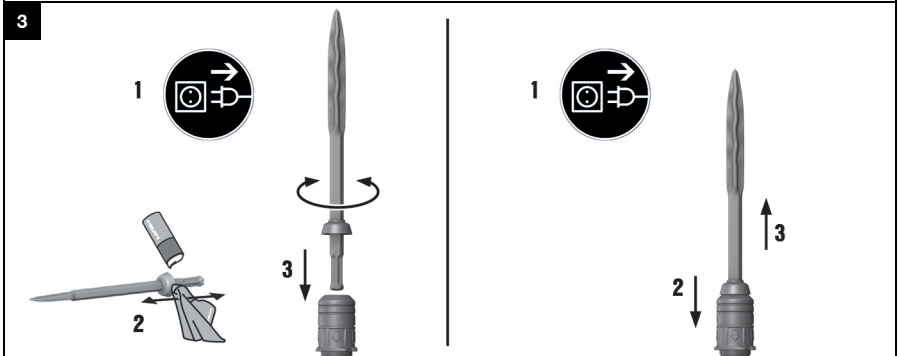
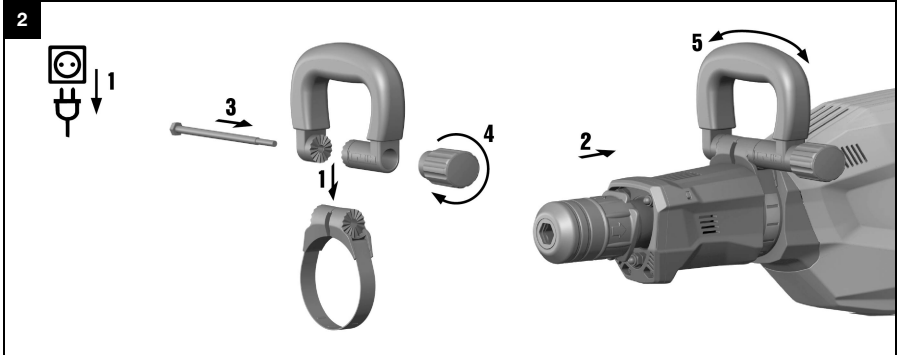


TE 1000-AVR

English
עברית

1
10





TE 1000-AVR

en	Original operating instructions	1
he	הוראות הפעלה מקוריות	10

Original operating instructions

1 Information about the operating instructions

1.1 About these operating instructions

- Read these operating instructions before the product is used or operated for the first time. This is a prerequisite for safe, trouble-free handling and use of the product.
- Observe the safety instructions and warnings in these operating instructions and on the product.
- Always keep the operating instructions with the product and make sure that the product is accompanied by these operating instructions only, when the product is given to other persons.

1.2 Explanation of symbols

1.2.1 Warnings

Warnings alert persons to hazards that occur when handling or using the product. The following signal words are used:

DANGER

DANGER !

- ▶ Draws attention to imminent danger that will lead to serious personal injury or fatality.

WARNING

WARNING !

- ▶ Draws attention to a potential threat of danger that can lead to serious injury or fatality.





CAUTION

CAUTION !

- ▶ Draws attention to a potentially dangerous situation that could lead to personal injury or damage to the equipment or other property.




1.2.2 Symbols in the operating instructions

The following symbols are used in these operating instructions:

	Comply with the operating instructions
	Instructions for use and other useful information
	Dealing with recyclable materials
	Do not dispose of electric equipment and batteries as household waste

1.2.3 Symbols in illustrations

The following symbols are used in illustrations:

	These numbers refer to the illustrations at the beginning of these operating instructions.
3	The numbers in illustrations refer to important work steps or to components important for the work steps. In the text, the corresponding numbers draw attention to these work steps or components, e.g. (3) .
	Item reference numbers are used in the overview illustration and refer to the numbers used in the key in the product overview section.
	This symbol is intended to draw your special attention to certain points for handling the product.



1.3 Symbols on the product

1.3.1 Symbols on the product

The following symbols are used on the product:

	Protection class II (double-insulated)
--	--

1.4 Product information

products are designed for professional users and only trained, authorized personnel are permitted to operate, service and maintain the products. This personnel must be specifically informed about the possible hazards. The product and its ancillary equipment can present hazards if used incorrectly by untrained personnel or if used not in accordance with the intended use.

The type designation and serial number are printed on the rating plate.

- ▶ Write down the serial number in the table below. You will be required to state the product details when contacting Hilti Service or your local Hilti organization to inquire about the product.

Product information

Breaker	TE 1000-AVR
Generation	02
Serial no.	

1.5 Declaration of conformity

We declare, on our sole responsibility, that the product described here complies with the applicable directives and standards. A copy of the declaration of conformity can be found at the end of this documentation.

The technical documentation is filed here:

Hilti Entwicklungsgesellschaft mbH | Tool Certification | Hiltistrasse 6 | 86916 Kaufering, Germany

2 Safety

2.1 General power tool safety warnings

WARNING Read all safety warnings, instructions, illustrations and specifications provided with this power tool. Failure to follow all instructions listed below may result in electric shock, fire and/or serious injury. **Save all warnings and instructions for future reference.**

The term "power tool" in the warnings refers to your mains-operated (corded) power tool or battery-operated (cordless) power tool.

Work area safety

- ▶ **Keep work area clean and well lit.** Cluttered or dark areas invite accidents.
- ▶ **Do not operate power tools in explosive atmospheres, such as in the presence of flammable liquids, gases or dust.** Power tools create sparks which may ignite the dust or fumes.
- ▶ **Keep children and bystanders away while operating a power tool.** Distractions can cause you to lose control.

Electrical safety

- ▶ **Power tool plugs must match the outlet. Never modify the plug in any way. Do not use any adapter plugs with earthed (grounded) power tools.** Unmodified plugs and matching outlets will reduce risk of electric shock.
- ▶ **Avoid body contact with earthed or grounded surfaces, such as pipes, radiators, ranges and refrigerators.** There is an increased risk of electric shock if your body is earthed or grounded.
- ▶ **Do not expose power tools to rain or wet conditions.** Water entering a power tool will increase the risk of electric shock.
- ▶ **Do not abuse the cord. Never use the cord for carrying, pulling or unplugging the power tool. Keep cord away from heat, oil, sharp edges or moving parts.** Damaged or entangled cords increase the risk of electric shock.
- ▶ **When operating a power tool outdoors, use an extension cord suitable for outdoor use.** Use of a cord suitable for outdoor use reduces the risk of electric shock.
- ▶ **If operating a power tool in a damp location is unavoidable, use a residual current device (RCD) protected supply.** Use of an RCD reduces the risk of electric shock.



Personal safety

- ▶ **Stay alert, watch what you are doing and use common sense when operating a power tool. Do not use a power tool while you are tired or under the influence of drugs, alcohol or medication.** A moment of inattention while operating power tools may result in serious personal injury.
- ▶ **Use personal protective equipment. Always wear eye protection.** Protective equipment such as a dust mask, non-skid safety shoes, hard hat or hearing protection used for appropriate conditions will reduce personal injuries.
- ▶ **Prevent unintentional starting. Ensure the switch is in the off-position before connecting to power source and/or battery pack, picking up or carrying the tool.** Carrying power tools with your finger on the switch or energising power tools that have the switch on invites accidents.
- ▶ **Remove any adjusting key or wrench before turning the power tool on.** A wrench or a key left attached to a rotating part of the power tool may result in personal injury.
- ▶ **Do not overreach. Keep proper footing and balance at all times.** This enables better control of the power tool in unexpected situations.
- ▶ **Dress properly. Do not wear loose clothing or jewellery. Keep your hair and clothing away from moving parts.** Loose clothes, jewellery or long hair can be caught in moving parts.
- ▶ **If devices are provided for the connection of dust extraction and collection facilities, ensure these are connected and properly used.** Use of dust collection can reduce dust-related hazards.
- ▶ **Do not let familiarity gained from frequent use of tools allow you to become complacent and ignore tool safety principles.** A careless action can cause severe injury within a fraction of a second.

Power tool use and care

- ▶ **Do not force the power tool. Use the correct power tool for your application.** The correct power tool will do the job better and safer at the rate for which it was designed.
- ▶ **Do not use the power tool if the switch does not turn it on and off.** Any power tool that cannot be controlled with the switch is dangerous and must be repaired.
- ▶ **Disconnect the plug from the power source and/or remove the battery pack, if detachable, from the power tool before making any adjustments, changing accessories, or storing power tools.** Such preventive safety measures reduce the risk of starting the power tool accidentally.
- ▶ **Store idle power tools out of the reach of children and do not allow persons unfamiliar with the power tool or these instructions to operate the power tool.** Power tools are dangerous in the hands of untrained users.
- ▶ **Maintain power tools and accessories. Check for misalignment or binding of moving parts, breakage of parts and any other condition that may affect the power tool's operation. If damaged, have the power tool repaired before use.** Many accidents are caused by poorly maintained power tools.
- ▶ **Keep cutting tools sharp and clean.** Properly maintained cutting tools with sharp cutting edges are less likely to bind and are easier to control.
- ▶ **Use the power tool, accessories and tool bits etc. in accordance with these instructions, taking into account the working conditions and the work to be performed.** Use of the power tool for operations different from those intended could result in a hazardous situation.
- ▶ **Keep handles and grasping surfaces dry, clean and free from oil and grease.** Slippery handles and grasping surfaces do not allow for safe handling and control of the tool in unexpected situations.

Service

- ▶ **Have your power tool serviced by a qualified repair person using only identical replacement parts.** This will ensure that the safety of the power tool is maintained.

2.2 Hammer safety warnings

Safety instructions for all operations

- ▶ **Wear ear protectors.** Exposure to noise can cause hearing loss.
- ▶ **Use auxiliary handle(s), if supplied with the tool.** Loss of control can cause personal injury.
- ▶ **Hold the power tool by insulated gripping surfaces, when performing an operation where the cutting accessory may contact hidden wiring or its own cord.** Cutting accessory contacting a "live" wire may make exposed metal parts of the power tool "live" and could give the operator an electric shock.

2.3 Additional safety instructions

Personal safety

- ▶ Use the product only when it is in technically faultless condition.



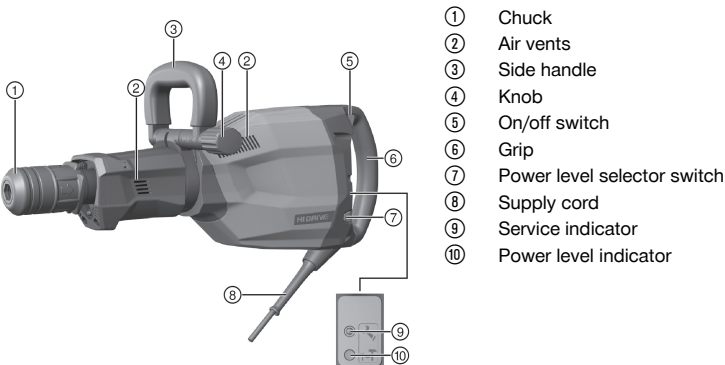
- ▶ Never tamper with or modify the tool in any way.
- ▶ Apply appropriate safety measures at the opposite side of the workpiece in work that involves breaking through. Parts breaking away could fall out and / or fall down causing injury to other persons.
- ▶ Check that the side handle is fitted correctly and tightened securely. Always hold the tool securely with both hands on the grips provided. Keep the grips dry, clean and free from oil and grease.
- ▶ Take breaks between working and do physical exercises to improve the blood circulation in your fingers. Exposure to vibration during long periods of work can lead to disorders of the blood vessels and nervous system in the fingers, hands and wrists.
- ▶ The tool is not intended for use by debilitated persons who have received no special training.
- ▶ Keep the power tool out of reach of children.
- ▶ Before beginning the work, check the hazard classification of the dust that will be produced. Use an industrial vacuum cleaner with an officially approved protection classification in compliance with locally applicable dust protection regulations.
- ▶ Use a dust removal system and suitable vacuum cleaner whenever possible. Dust from materials, such as paint containing lead, some wood species, concrete/masonry/stone containing silica, and minerals as well as metal, may be harmful.
- ▶ Make sure that the workplace is well ventilated and, where necessary, wear a respirator appropriate for the type of dust generated. Contact with or inhalation of the dust may cause allergic reactions and/or respiratory or other diseases to the operator or bystanders. Certain kinds of dust are classified as carcinogenic such as oak and beech dust, especially in conjunction with additives for wood conditioning (chromate, wood preservative). Material containing asbestos may be handled only by specialists.
- ▶ Approval must be obtained from the site engineer or architect prior to beginning the work. Work on buildings and other structures may influence the statics of the structure, especially when steel reinforcing bars or load-bearing components are cut through.

Electrical safety

- ▶ Before beginning work, check the working area for concealed electric cables or gas and water pipes. External metal parts of the power tool may give you an electric shock if you damage an electric cable accidentally.
- ▶ Check the power tool's supply cord at regular intervals and have it replaced by a qualified specialist if found to be damaged. If the power tool's supply cord is damaged it must be replaced with a specially-prepared and approved supply cord available from Hilti Customer Service. Check extension cords at regular intervals and replace them if found to be damaged. Do not touch the supply cord or extension cord if it is damaged while working. Disconnect the supply cord plug from the power outlet. Damaged supply cords or extension cords present a risk of electric shock.
- ▶ Dirty or dusty power tools that have been used frequently for work on conductive materials should be checked at regular intervals at a **Hilti Service Center**. Dust (especially dust from conductive materials) or dampness adhering to the surface of the power tool may, under unfavorable conditions, lead to electric shock.
- ▶ Switch the power tool off and unplug the supply cord in the event of a power failure or interruption in the electric supply. This will prevent accidental restarting when the electric power returns.

3 Description

3.1 Overview of the product



3.2 Intended use

The product described is an electrically powered breaker for heavy chiseling work. It is designed for breaking or demolishing concrete, masonry, stone and asphalt.

- Operation is permissible only when connected to a power source providing a voltage and frequency in compliance with the information given on the type identification plate.

3.3 Possible misuse

This product is not suitable for working on hazardous materials.
This product is not suitable for working in a damp environment.

3.4 Active Vibration Reduction (AVR)

The breaker is equipped with an Active Vibration Reduction (AVR) system, which reduces vibration significantly.

3.5 Power level indicator

The breaker is equipped with a power level indicator LED.
Chiseling power can be reduced to approx. 70% by pressing the power level selector switch. The power level LED then lights up, indicating reduced power.

3.6 Service indicator information

The breaker is equipped with a service indicator LED.

Status	Meaning
The service indicator lights red.	End of service interval – servicing is due. A fault has occurred in the tool.
The service indicator blinks red.	The overheating prevention cut-out has been activated. The voltage provided by the electric supply is too high.



Bring the product to **Hilti Service** in good time. This will help to ensure that it's always ready for use.

3.7 Items supplied

Breaker, side handle, operating instructions.

Other system products approved for use with this product can be found at your local **Hilti Store** or at: www.hilti.group

4 Technical data

4.1 Breaker



For details of the rated voltage, current, frequency and/or input power, please refer to the power tool's country-specific type identification plate.

When powered by a generator or transformer, the generator or transformer's power output must be at least twice the rated input power shown on the rating plate of the power tool. The operating voltage of the transformer or generator must always be within +5% and -15% of the rated voltage of the power tool.

	TE 1000-AVR
Weight in accordance with EPTA procedure 01	12.5 kg
Single impact energy in accordance with EPTA procedure 05	26 J



4.2 Noise information and vibration values in accordance with EN 62841

The sound pressure and vibration values given in these instructions were measured in accordance with a standardized test and can be used to compare one power tool with another. They can also be used for a preliminary assessment of exposure.

The data given represent the main applications of the power tool. However, if the power tool is used for different applications, with different accessory tools, or is poorly maintained, the data can vary. This can significantly increase exposure over the total working period.

An accurate estimation of exposure should also take into account the times when the power tool is switched off, or when it is running but not actually being used for a job. This can significantly reduce exposure over the total working period.

Identify additional safety measures to protect the operator from the effects of noise and/or vibration, for example: maintaining the power tool and accessory tools, keeping the hands warm, organization of work patterns.

Noise emission values

Sound (power) level (L_{WA})	96 dB(A)
Uncertainty for the sound power level (K_{WA})	3 dB(A)
Emission sound pressure level (L_{pA})	85 dB(A)
Uncertainty for the sound pressure level (K_{pA})	3 dB(A)

Noise information and vibration values

Chiseling (a_h, C_{heq})	5.9 m/s ²
Uncertainty (K)	1.5 m/s ²

5 Operation

5.1 Preparations at the workplace

CAUTION

Risk of injury! Inadvertent starting of the product.

- ▶ Unplug the supply cord before making adjustments to the power tool or before changing accessories.

Observe the safety instructions and warnings in this documentation and on the product.

5.1.1 Fitting and adjusting the side handle

CAUTION

Risk of injury! Loss of control over the breaker.

- ▶ Check that the side handle is fitted correctly and tightened securely.
- ▶ Fit or adjust the side handle.



The instructions provided with the side handle must also be observed.

5.1.2 Fitting the accessory tool

1. Apply a little grease to the connection end of the accessory tool.
2. Push the accessory tool into the chuck as far as it will go, turning it and applying light pressure until it engages with an audible click.
 - ▶ The product is ready for use.



Use only the recommended grease supplied by Hilti. Use of unsuitable grease may cause damage to the product.

5.1.3 Removing the accessory tool

WARNING

Risk of injury! The accessory tool gets hot during use and may also have sharp edges.

- ▶ Wear protective gloves when changing the tool.



⚠ DANGER

Risk of fire! Risk of contact between the hot accessory tool and highly inflammable materials.

- ▶ Do not lay the hot accessory tool down on highly inflammable materials.

1. Pull the chuck back.
2. Remove the accessory tool.

5.2 Types of work

⚠ CAUTION

Risk of damage by incorrect handling!

- ▶ Do not operate the switches for direction of rotation and/or function selection during operation.

Observe the safety instructions and warnings in this documentation and on the product.

5.2.1 Chiseling 

i The chisel can be adjusted to 6 different positions (in 60° increments). This ensures that flat chisels and shaped chisels can always be set to the optimum working position.

If inadequate pressure is applied, the chisel will jump around uncontrollably. Application of excessive pressure will result in a loss of chiseling performance.

1. Plug the supply cord into the power outlet.
2. Bring the chisel into contact with the workpiece about 80 - 100 mm (3 1/8" - 4") from its edge.
3. Begin with the chisel positioned at an angle of 70° to 80° to the concrete surface, with the tip of the chisel pointing toward the edge of the workpiece. Break material away by subsequently increasing the angle to approx. 90° as the chisel penetrates.
 - ▶ When working close to reinforcing bars, always guide the tip of the chisel toward the edge of the workpiece, not toward a reinforcing bar.
4. Rotate the chisel regularly to help ensure even wear and to promote the self-sharpening process.

5.2.2 Setting the chiseling power

- ▶ Press the power level selector switch.
 - ▶ Chiseling power can be reduced to approx. 70% by pressing the power level selector switch.

i Chiseling power can be adjusted only when the power tool is switched on and ready for use. To reselect full chiseling power, press the chiseling power level selector switch again. Switching off and then on again also causes the power tool to return to full chiseling power.

6 Care and maintenance

⚠ WARNING

Electric shock hazard! Attempting care and maintenance with the supply cord connected to a power outlet can lead to severe injury and burns.

- ▶ Always unplug the supply cord before carrying out care and maintenance tasks.

Care

- Carefully remove stubborn dirt from the tool.
- Clean the air vents carefully with a dry brush.
- Use only a slightly damp cloth to clean the casing. Do not use cleaning agents containing silicone as they can attack the plastic parts.

Maintenance

⚠ WARNING

Danger of electric shock! Improper repairs to electrical components may lead to serious injuries including burns.

- ▶ Repairs to the electrical section of the tool or appliance may be carried out only by trained electrical specialists.



- Check all visible parts and controls for signs of damage at regular intervals and make sure that they all function correctly.
- Do not operate the product if signs of damage are found or if parts malfunction. Have it repaired immediately by **Hilti Service**.
- After cleaning and maintenance, fit all guards or protective devices and check that they function correctly.

i To help ensure safe and reliable operation, use only genuine Hilti spare parts and consumables. Spare parts, consumables and accessories approved by Hilti for use with the product can be found at your local **Hilti Store** or online at: www.hilti.group.

6.1 Cleaning the dust shield

- ▶ Clean the dust shield on the chuck with a dry, clean cloth at regular intervals.
- ▶ Clean the sealing lip by wiping it carefully and then grease it again lightly with **Hilti** grease.
- ▶ It is essential that the dust shield is replaced if the sealing lip is damaged.

7 Transport and storage

- Do not transport electric tools with accessory tools fitted.
- Always unplug the supply cord before storing an electric tool or appliance.
- Store tools and appliances in a dry place where they cannot be accessed by children or unauthorized persons.
- Check electric tools or appliances for damage after long periods of transport or storage.

8 Troubleshooting

If the trouble you are experiencing is not listed in this table or you are unable to remedy the problem by yourself, please contact **Hilti Service**.

8.1 Troubleshooting

Trouble or fault	Possible cause	Action to be taken
The power tool doesn't start.	Electronics initialization in progress (takes up to 4 seconds after plugging in). The electronic restart interlock is activated after an interruption in the electric supply.	▶ Switch the power tool off and then on again.
	Interruption in the electric supply.	▶ Plug in another electric tool or appliance and check whether it works.
	The generator is in sleep mode.	▶ Apply a load to the generator by connecting a second power consumer (e.g. worklight). Switch the tool off and then on again.
The service indicator lights red.	The tool is faulty or servicing is due.	▶ Have the product repaired only by Hilti Service .
The service indicator blinks red.	The voltage provided by the electric supply is too high.	▶ Use a different power outlet. Check the electric supply.
	The overheating prevention cut-out has been activated.	▶ Allow the tool to cool down. Clean the air vents. Running under no load is still possible.
No hammering action.	The power tool is too cold.	▶ Bring the tip of the accessory tool into contact with the working surface, switch the power tool on and allow it to run. If necessary, repeat the procedure until the hammering mechanism begins to operate.



Trouble or fault	Possible cause	Action to be taken
The tool does not achieve full power.	Power reduction is active.	▶ Press the power level selector switch (observe the power level indicator). Unplug the power tool from the electric supply and then plug it back in.
	The extension cord is too long or its gauge is inadequate.	▶ Use an extension cord of an approved length and / or of adequate gauge.
	The voltage provided by the electric supply is too low.	▶ Connect the power tool to a different power source.
The chisel cannot be released from the chuck.	The chuck is not pulled back fully.	▶ Pull the tool lock back as far as it will go and remove the insert tool.
The power tool switches itself off while running.	The overheating prevention cut-out has been activated.	▶ Allow the tool to cool down. Clean the air vents. Running under no load is still possible.

9 Disposal

Most of the materials from which **Hilti** tools and appliances are manufactured can be recycled. The materials must be correctly separated before they can be recycled. In many countries, your old tools, machines or appliances can be returned to **Hilti** for recycling. Ask **Hilti** Service or your Hilti representative for further information.



- ▶ Do not dispose of power tools, electronic equipment or batteries as household waste!

10 RoHS (Richtlinie zur Beschränkung der Verwendung gefährlicher Stoffe)

The following link takes you to the table of dangerous substances: qr.hilti.com/r9672135. You will find a link to the RoHS table, in the form of a QR code, at the end of this document.

11 Manufacturer's warranty

- ▶ Please contact your local **Hilti** representative if you have questions about the warranty conditions.



1 מידע על הוראות ההפעלה

1.1 על הוראות הפעלה אלו

- קרא את הוראות ההפעלה האלה במלואן לפני השימוש הראשון. רק כך ניתן להבטיח עבודה בטוחה ונטולת תקלות.
- שים לב להוראות הבטיחות ולאזהרות שבהוראות הפעלה אלה ושעל המוצר.
- שמור את הוראות ההפעלה תמיד בצמוד למוצר, ואם אתה מעביר את המוצר לאדם אחר, צרף תמיד את הוראות ההפעלה האלה.

1.2 הסבר הסימנים

1.2.1 אזהרות

האזהרות מזהירות מפני סכנות בשימוש במוצר. במדריך זה מופיעות מילות המפתח הבאות:

⚠ סכנה

! סכנה

⬅ מציינת סכנה מיידית, המובילה לפציעות גוף קשות או למוות.

⚠ אזהרה

! אזהרה

⬅ מציינת סכנה אפשרית, שיכולה להוביל לפציעות גוף קשות או למוות.

⚠ זהירות

! זהירות

⬅ מציינת מצב שעלול להיות מסוכן ולהוביל לפציעות גוף או לנזקים לרכוש.

1.2.2 סמלים בהוראות ההפעלה

הסמלים הבאים מופיעים בהוראות הפעלה אלה:

שים לב להוראות הפעלה	
הנחיות לשימוש ומידע שימושי נוסף	
טיפול נכון בחומרים למיחזור	
אין להשליך לפסולת הביתית מכשירים חשמליים וסוללות	

1.2.3 סמלים באיורים

הסמלים הבאים משמשים באיורים:

2	מספרים אלה מפנים לאיור המתאים בתחילת הוראות הפעלה אלה.
3	המספרים באיורים מפנים לשלבי עבודה חשובים או לרכיבים שחשובים לשלבי העבודה. שלבי עבודה אלה או רכיבים אלה מודגשים בטקסט במספרים מתאימים, לדוגמה (3).
11	מספרי הפריטים מופיעים באיור סקירה ותואמים את המספרים במקרא בפרק סקירת המוצר .
	סימן זה אמור לעורר את תשומת לבך המיוחדת בעת השימוש במוצר.

1.3 סמלים על המוצר

1.3.1 סמלים על המוצר

הסמלים הבאים מופיעים על המוצר:

	דירוג הגנה II (בידוד כפול)
--	----------------------------



המוצרים של מיועדים למשתמש המקצועי, ורק אנשים מורשים, שעברו הכשרה מתאימה, רשאים לתפעל, לתחזק ולתקן אותם. אנשים אלה חייבים ללמוד באופן מיוחד את הסכנות האפשריות. המוצר המתואר והעזרים שלו עלולים להיות מסוכנים כאשר אנשים שלא עברו הכשרה מתאימה משתמשים בהם באופן לא מקצועי או כאשר משתמשים בהם שלא בהתאם ליעוד. שם הדגם והמספר הסידורי מצוינים על לוחית הדגם.

רשום את המספר הסידורי בטבלה הבאה. בכל פנייה לנציגינו או למעבדת שירות יש לציין את נתוני המוצר.

▶

פטיש חציבה	TE 1000-AVR
דור	02
מס' סידורי	

▶

1.5 הצהרת תאימות

אנו מצהירים באחריותנו הבלעדית כי המוצר המתואר כאן תואם את התקנות והתקנים התקפים. בסוף תיעוד זה ישנו צילום של הצהרת התאימות.

התיעוד הטכני שמור כאן:

Hilti Entwicklungsgesellschaft mbH | Zulassung Geräte | Hiltistraße 6 | 86916 Kaufering, DE

2 בטיחות

2.1 הוראות בטיחות כלליות לכלי עבודה חשמליים

⚠ אזהרה קרא את כל הוראות הבטיחות, ההנחיות, האיומים והנתונים הטכניים המוצגים לכלי העבודה החשמלי. אי ציות להנחיות עלול להוביל להתחשמלות, לשרפה ו/או לפציעות קשות.

שמור את כל הוראות הבטיחות וההנחיות לעיון בעתיד.

המונח "כלי עבודה חשמלי" המשמש בהוראות הבטיחות מתייחס לכלי עבודה חשמליים המחוברים לרשת החשמל (עם כבל חשמל) או לכלי עבודה חשמליים המופעלים באמצעות סוללה נטענת (ללא כבל חשמל).

בטיחות במקום העבודה

▶ **שמור על אזור העבודה שלך כקי ודאג לתאורה מספקת.** חוסר סדר או תאורה לקויה במקום העבודה עלולים לגרום לתאונות.

▶ **אין להפעיל את כלי העבודה החשמלי בסביבה שקיימת בה סכנת פיצוץ או שיטת בה נדלים, גזים או אבק דליקים.** כלי עבודה חשמליים יוצרים ניצוצות, שעלולים להצית את האבק או האדים.

▶ **הרחק ילדים ואנשים אחרים מכלי העבודה החשמלי במהלך השימוש בו.** אם דעתך תוסח אתה עלול לאבד את השליטה במכשיר.

בטיחות בחשמל

▶ **תקע החשמל של כלי העבודה החשמלי חייב להתאים לשקע החשמל. אסור לשנות בשום אופן את תקע החשמל.** אל תשתמש בשקע מתאם בידך עם כלי עבודה חשמליים הכוללים הגנת הארקה. שימוש בתקעים חשמליים שלא עברו שינוי ושקעי חשמל מתאימים מפחית את הסיכון להתחשמלות.

▶ **מנע מגע של הגוף בשטחים מוארקים כגון צינורות, גופי חימום, תנורים ומקררים.** קיימת סכנה גבוהה להתחשמלות כאשר הגוף שלך מוארק.

▶ **הרחק כלי עבודה חשמליים מגשם או רטיבות.** חדרית מים לכלי העבודה החשמלי מגדילה את הסיכון להתחשמלות.

▶ **אל תשתמש בכלי העבודה החשמל למטרות שלא לשמן הוא נועד, לדוגמה: אל תרים את כלי העבודה החשמלי באמצעות הכבל ואל תנסה לנתק את התקע משקע החשמל במשיכה מהכבל. הרחק את הכבל מחום, שמן, פינות חדות או מחלקים נעים.** כבלים שנידוקו או שהסתככו בחלקים אחרים מגדילים את הסיכון להתחשמלות.

▶ **כאשר אתה עובד עם כלי העבודה החשמלי בחוץ, השתמש רק בכבל מאריך המיועד לשימוש חיצוני.** שימוש בכבל מאריך המתאים לשימוש חיצוני מפחית את הסיכון להתחשמלות.

▶ **אם לא ניתן להימנע משימוש בכלי העבודה החשמלי בסביבה לחה, השתמש במסר פחת.** השימוש במסר פחת מפחית את הסיכון להתחשמלות.

בטיחות של אנשים

▶ **היה ערבי, שים לב למה שאתה עושה, ופעל בתבונה כאשר אתה עובד עם כלי עבודה חשמלי. אל תפעיל כלי עבודה חשמליים כשאתה עייף או תחת השפעת סמים, אלכוהול או תרופות.** די ברגע אחד של חוסר תשומת-לב בדמן השימוש בכלי העבודה החשמלי כדי לגרום פציעות קשות.

▶ **לבש תמיד ציוד מגן ומשקפי מגן.** לבישת ציוד מגן אישי, כגון מסכת אבק, נעלי בטיחות מונעות החלקה, קסדת מגן או מגני שמיעה - בהתאם לסוג השימוש בכלי העבודה החשמלי - מקטינה את הסיכון לפציעות.

▶ **מנע הפעלה בשוגג. ודא שכלי העבודה החשמלי כבוי לפני שאתה מחבר אותו לאספקת החשמל ו/או לפני שאתה מחבר את הסוללה ולפני הרמתו.** אל תניח את אצבעך על המתג בדמן שאתה נושא את המכשיר ואל תחבר אותו לאספקת החשמל כאשר הוא מופעל, אחרת עלולות להיגרם תאונות.



- ◀ הרחק כלי כוונון או מפתחות ברגים לפני שאתה מפעיל את כלי העבודה החשמלי. כלי עבודה או מפתחות הנמצאים בקרבת חלקים מסתובבים עלולים לגרום פציעות.
- ◀ הימנע מתכונות גוף לא נכונות. עמוד באופן יציב ושומר תמיד על שיווי משקל. כך תוכל לשלוט טוב יותר בכלי העבודה החשמלי במצבים לא צפויים.
- ◀ לבש בגדים מתאימים. אל תלבש בגדים רחבים או תכשיטים. הרחק את השער, הבגדים וכפפות מחלקים נעים. בגדים רופפים, תכשיטים ושיער ארוך עלולים להיתפס בחלקים נעים.
- ◀ כאשר ניתן להתקין התקני שאיבת אבק ולכידה יש לוודא שהם מחוברים לחשמל, ויש להקפיד להשתמש בהם בצורה נכונה. שימוש בהתקן שאיבת אבק מקטין את הסכנות הנובעות מהאבק.
- ◀ אל תהיה שאנן בנושאי בטיחות ואל תתעלם מהוראות בטיחות של כלי עבודה חשמליים, גם אם השתמשת במכשיר פעמים רבות ואתה מכיר אותו היטב. התנהגות רשלנית עלולה להוביל לפציעות קשות בתוך שניות.

שימוש וטיפול בכלי העבודה החשמלי

- ◀ אל תפעיל עומס רב מדי על המכשיר. השתמש בכלי העבודה החשמלי המתאים לעבודה שאתה מבצע. כלי העבודה החשמלי המתאים המתאים מבטיח לך עבודה טובה ובטוחה יותר בתחום ההספק הנקוב.
- ◀ אל תשתמש בכלי העבודה אם המתג שלו אינו תקין. כלי עבודה חשמלי שלא ניתן עוד להפעיל או לכבות אותו מהווה סכנה ויש לתקנו.
- ◀ נתק את תעק החשמל מהשקע ו/או הסר את הסוללה לפני שאתה מבצע כוונונים במכשיר, מחליף כלים או לאחר שאתה מפסיק לעבוד עם המכשיר. אמצעי זהירות זה מונע הפעלה בשוגג של כלי העבודה החשמלי.
- ◀ שמור כלי עבודה חשמליים שאינם בשימוש הרחק מהישג ידם של ילדים. אל תאפשר לאנשים שאינם יודעים כיצד להשתמש במכשיר או שלא קראו את ההוראות להשתמש במכשיר. כלי עבודה חשמליים הם מסוכנים כאשר משתמשים בהם אנשים חסרי ניסיון.
- ◀ טפל בכלי עבודה חשמליים ובאביזרים בהקפדה. בדוק אם החלקים הנעים פועלים בצורה חלקה ואינם נתקעים, אם ישנם חלקים שבורים או מקולקלים המשבשים את הפעולה התקינה של כלי העבודה החשמלי. לפני השימוש במכשיר דאג לתיקון חלקים לא תקינים. תאונות רבות נגרמו עקב תחזוקה לקויה של כלי עבודה חשמליים.
- ◀ שמור על כלי החיתוך חדים ונקיים. כלי חיתוך מטופלים היטב, שלהביהם חדים נתקעים פחות וקלים יותר לתפעול.
- ◀ השתמש בכלי העבודה החשמלי, באביזרים, בכלי העבודה הנוספים וכן הלאה בהתאם להוראות אלה. התחשב בתנאי העבודה ובפעולה שעליך לבצע. שימוש בכלי העבודה החשמלי למטרות אחרות מאלה שלשמן הוא מיועד עלול להיות מסוכן.
- ◀ שמור על ידיות ואזורי אחיזה קיים מלכלוך משומן ומגריז. ידיות ואזורי אחיזה חלקים אינם מאפשרים תפעול בטוח ושליטה טובה בכלי העבודה החשמלי במצבים לא צפויים.

שירות

- ◀ דאג לתיקון כלי העבודה החשמלי שלך רק בידי טכנאים מוסמכים, המשתמשים בחלקי חילוף מקוריים בלבד. כך תבטיח שמירה על בטיחות העבודה במכשיר.

2.2 הוראות בטיחות לפטישוים

הנחיות בטיחות לכל העבודות

- ◀ השתמש במגני שמיעה. רעש חזק עלול לפגוע בשמיעה.
- ◀ השתמש בידיות האחיזה הנוספות המצורפות למכשיר. אובדן השליטה במכשיר עלול לגרום לפציעות.
- ◀ אחז במכשיר במקומות האחיזה המבודדים כאשר אתה מבצע עבודות שבהן כלי הקידוח עלול לפגוע בקווי חשמלי מוסתרים או בכבל החשמל של המכשיר. מגע בקווים המוליכים זרם עלול להעביר זרם גם לחלקים מתכתיים במכשיר שלך ולגרום להתחשמלות.

2.3 הוראות בטיחות נוספות

בטיחות של אנשים

- ◀ השתמש במוצר רק בתנאי שהוא נמצא במצב טכני מושלם.
- ◀ אל תבצע בשום אופן מניפולציות או שינויים במכשיר.
- ◀ בעבודות פריצה יש לאבטח את האזור בצד הנגדי של מקום העבודה שלך. חומרים מעבודות הפריצה עשויים ליפול ולפצוע אנשים אחרים.
- ◀ ודא כי ידיית האחיזה הצדית מותקנת בצורה נכונה ומהודקת היטב. אחוז את המכשיר היטב תמיד בשתי ידיים בידיות האחיזה שלו. שמור על ידיות האחיזה יבשות, נקיות וללא שמן או גריז.
- ◀ ערוך הפסקות בעבודה ותרגילים לשיפור זרימת הדם לאצבעות. הרעידות מהמכשיר עשויות לאחר עבודה ממושכת לגרום להפרעות בכלי הדם או במערכת העצבים של האצבעות, כפות הידיים או שורשי כף היד.
- ◀ המכשיר אינו מיועד לאנשים חלשים ללא הכשרה מתאימה.
- ◀ הרחק את המכשיר מהישג ידם של ילדים.
- ◀ בדוק לפני תחילת העבודה את דירוג הסכנה של אבק החומר שבו תעבוד. השתמש בשואב אבק מקצועי בעל דירוג הגנה מאושר, התואם את תקנות החוק הנוגעות להגנה מאבק.
- ◀ השתמש במערכת שאיבת אבק או בשואב אבק נייד היכן שרק ניתן. אבק של חומרים דוגמת צבעים המכילים עופרת, סוגי עץ מסוימים, בטון / קירות לבנים / אבנים המכילות קוורץ ומינרלים כגון מתכת עלולים להזיק לבריאות.



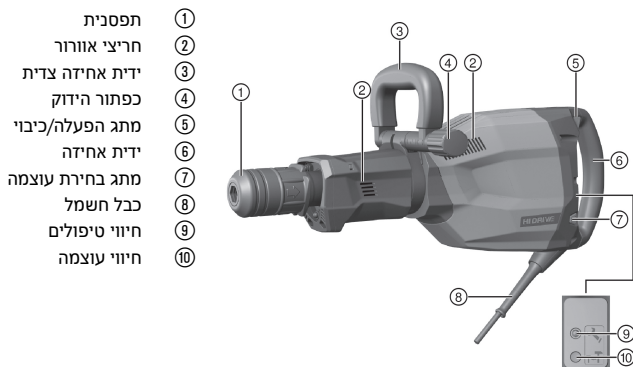
- ◀ דאג לאורור טוב במקום העבודה, ובמקרה הצורך לבש גם מסכת נשימה המתאימה לסוג האבק שבו אתה עובד. נגיעה בסוגי אבק אלה או שאיפתם עלולה לגרום לתגובות אלרגיות ו/או למחלות בכלי הנשימה של המשתמש או של אנשים הנמצאים בקרבת מקום. סוגי אבק מסוימים, כגון אבק של אלון או בוק, נחשבים מסרטנים, במיוחד בשילוב עם חומרים אחרים המשמשים לטיפול בעץ (כרוסט, חומר הגנה לעץ). רק מומחים רשאים לעבוד בחומרים המכילים אסבסט.
- ◀ בקש אישור לעבודות ממנהל האתר. עבודה במבנים ובשלדים יכולה להשפיע על היציבות המבנית, במיוחד בעבודות חיתוך של ברזל דיון או קורות נושאיות.

ביטחון בחשמל

- ◀ לפני תחילת העבודה יש לבדוק אם ישנם כבלי חשמל, צינורות גז או מים נסתרים. חלקים מתכתיים חיצוניים במכשיר יכולים לגרום להתחשמלות כאשר הם נוגעים בשוגג בקווי חשמל.
- ◀ בדוק באופן סדיר את כבל החשמל של המכשיר, ובמקרה שזיהית נדקים פנה לבעל מקצוע מורשה לצורך החלפתו. אם כבל החשמל של כלי העבודה החשמלי ניזוק, יש להחליפו בכבל חשמלי מתאים ומאושר, שאותו ניתן להשיג משירות הלקוחות שלנו. בדוק את הכבלים המאריכים באופן סדיר והחלף אותם אם ניזוקו. אם כבל החשמל או הכבל המאריך ניזוקו במהלך העבודה אסור לגעת בכבל. נתק את תקע החשמל משקע רשת החשמל. כבלים שניזוקו מהווים סכנה כיוון שהם יכולים לגרום להתחשמלות.
- ◀ מכשירים שהתלכדו עקב עבודה תכופה בחומרים מוליכים יש להביא למעבדות של Hilti לבדיקה באופן סדיר. אבק שנדבק לפני השטח של המכשיר, ובמיוחד אבק מחומרים מוליכים או לחות עלולים לגרום להתחשמלות.
- ◀ במקרה של ניתוק החשמל יש לכבות את המכשיר ולנתק את התקע משקע רשת החשמל. כך תמנע הפעלה בשוגג של המכשיר כאשר החשמל חוזר.

3 תיאור

3.1 סקירת המוצר 1



- | | |
|-----------------|---|
| תפסית | ① |
| חריצי אורור | ② |
| ידית אחיזה צדית | ③ |
| כפתור הידוק | ④ |
| מתג הפעלה/כיבוי | ⑤ |
| ידית אחיזה | ⑥ |
| מתג בחירת עוצמה | ⑦ |
| כבל חשמל | ⑧ |
| חיווי טיפולים | ⑨ |
| חיווי עוצמה | ⑩ |

3.2 שימוש בהתאם לייעוד

- המוצר המתואר זהו פטיש חציבה חשמלי, המיועד לעבודות חציבה קשות. הוא מיועד לעבודות הריסה ופריצה בבטון, קירות לבנים, אבן ואספלט.
- ◀ מותר לחבר את המכשיר רק לרשת חשמל בעלת מתח ותדירות כמצוין על לוחית הדגם.

3.3 שימוש שגוי אפשרי

- מוצר זה אינו מיועד לעבודה בחומר המהווים סכנה בריאותית. מוצר זה אינו מיועד לעבודה בסביבה לחה.

3.4 Active Vibration Reduction (AVR)

פטיש החציבה מצויד במערכת Active Vibration Reduction (AVR), המפחיתה את הרעידות באופן משמעותי.

3.5 חיווי עוצמה

- פטיש החציבה כולל חיווי עוצמה באמצעות נורה. בלחיצה על מתג בחירת העוצמה תוכל להפחית את עוצמת החציבה לכ-70%. כאשר המכשיר עובד בעוצמה מופחתת יאיר חיווי העוצמה.



3.6 מצב חיווי הטיפולים

פטיש החציבה כולל נורית חיווי טיפולים.

מצב	משמעות
חיווי הטיפולים מאיר באדום.	הגיע מועד הטיפול במכשיר. בקיים למכשיר.
חיווי הטיפולים מהבהב באדום.	הגנה מפני התחממות יתר. מתח החשמל גבוה מדי.

הבא את המכשיר בזמן למעבדת שירות של Hilti. כך מכשירך יהיה תמיד כשיר לעבודה.



3.7 מפרט אספקה

פטיש חציבה, ידית אחיזה צדית, הוראות הפעלה.

מוצרים נוספים המאפשרים עבור המוצר שלך תמצא ב-Hilti Store או בכתובת: www.hilti.group

4 נתונים טכניים

4.1 פטיש חציבה

את המתח הנקוב, הזרם הנקוב, התדירות ו/או ההספק הנקוב תמצא בלוחית הדגם הספציפית למדינתך.



בעת הפעלה באמצעות גנרטור או שבאי הספק המוצא שלהם חייב להיות לפחות כפול מההספק הנקוב המצוין על לוחית הדגם של המכשיר. מתח העבודה של השבאי או הגנרטור חייב להימצא תמיד בטווח שבין +5% לבין -15% ביחס למתח הנקוב של המכשיר.

משקל בהתאם להליך EPTA 01	TE 1000-AVR
12.5 ק"ג	
אנרגיית הלימה בודדת לפי תהליך EPTA מס' 05	26 ג'אול

4.2 ערכי רעש לפי EN 62841

ערכי לחץ הקול והרעידות המצוינים בהוראות אלה נמדדו בהתאם לנוהל המדידה התקיף, וניתן להשתמש בהם לצורך השוואה בין כלי עבודה חשמליים. הם מתאימים גם להערכה זמנית של העומסים.

הנתונים המצוינים תקפים לשימושים העיקריים בכלי העבודה החשמלי. אולם אם משתמשים בכלי העבודה החשמלי לשימושים אחרים, בשילוב אביזרים אחרים או אם המכשיר אינו עובר תחזוקה מספקת, הנתונים עשויים להשתנות. בעקבות זאת פריסת העומסים למשך זמן העבודה כולו עשויה להיות גבוהה באופן משמעותי.

לצורך הערכה מדויקת של העומסים יש לקחת בחשבון גם את הזמנים שבהם כלי העבודה כבוי או שבהם הוא אמנם פועל אך אינו בשימוש בפועל. בעקבות זאת פריסת העומסים למשך זמן העבודה כולו עשויה להיות נמוכה באופן משמעותי.

יש לקבוע הנחיות בטיחות נוספות להגנה על המשתמש מפני ההשפעות של קול ו/או רעידות, כגון: תחזוקה של כלי העבודה החשמלי ושל כלי העבודה המחוברים, שמירה על ידיים חמות, ארגון תהליכי העבודה.

ערכי רעש

רמת הספק קול (L_{WA})	96 dB(A)
אי-ודאות ברמת הספק הקול (K_{WA})	3 dB(A)
רמת לחץ קול נפלטת (L_{pA})	85 dB(A)
אי-ודאות ברמת לחץ קול (K_{pA})	3 dB(A)

מידע על רעשים וערכי רעידות

חציבה ($a_{h, Chseq}$)	5.9 מ'/שנ ²
אי ודאות (K)	1.5 מ'/שנ ²



5.1 הכנה לעבודה

⚠️ זהירות

סכנת פציעה! תחילת תנוע לא מכוונת של המוצר.
 ▶ נתק את תקע החשמל לפני שאתה מבצע כוונונים במכשיר או מחליף אביזרים.


צייט להוראות הבטיחות והאזהרות שבתייעוד זה ולא לה המצוינות על המוצר.

5.1.1 התקנה וכוונון של ידית האחיזה הצדית 2

⚠️ זהירות


סכנת פציעה אובדן השליטה על פטיש החציבה.
 ▶ ודא כי ידית האחיזה הצדית מותקנת בצורה נכונה ומהודקת היטב.

▶ חבר או כוונן את ידית האחיזה הצדית.

שים לב גם להסבר המצורף לידיית האחיזה הצדית. 

5.1.2 חיבור כלי 3

1. שמן קלות את הקנה של הכלי.
 2. הכנס את הכלי לתפסנית וסובב אותו תוך לחיצה קלה פנימה, עד שהוא נתפס בצליל נקישה ברור.
- ▶ המוצר מוכן לעבודה.

 השתמש רק בגריד מקורי של Hilti. שימוש בגריד לא מתאים עלול לגרום נזק למוצר.

5.1.3 הוצאת כלי 3

⚠️ אזהרה

סכנת פציעה הכל מתחמם בעבודה והקצוות שלו עלולים להיות חדים.
 ▶ לבש נעלי בטיחות בעת החלפת כלי קידוח.

⚠️ סכנה

סכנת שרפה סכנה בעת מגע בין כלים חמים וחומרים דליקים.
 ▶ אל תניח כלי חם על חומרים דליקים מאוד.

1. משוך את התפסנית לאחור.
2. הוצא את הכלי.

5.2 עבודה


⚠️ זהירות

סכנת נזק עקב שימוש לא נכון!

▶ אל תתפעל את מתג בחירת כיוון הסיבוב ו/או את בורר הפעולות במהלך העבודה.

צייט להוראות הבטיחות והאזהרות שבתייעוד זה ולא לה המצוינות על המוצר.

5.2.1 חציבה 4

 ניתן למקם את האדמל ב-6 מצבים שונים (מרווחים של 60°). כך ניתן לעבוד באדמלים שטוחים ומעוצבים במצב העבודה הטוב ביותר.
 עוצמת לחיצה נמוכה מדי תגרום לאדמל לקפוף. עוצמת לחיצה גדולה מדי תפחית את תפוקת העבודה של האדמל.

1. חבר את תקע החשמל לשקע רשת החשמל.
2. הצב את האדמל כ-80-100 מ"מ (3 1/8" - 4") מהקצה.



3. התחל בחציבה בזווית של 70° עד 80° לפני השטח של הבטון וכוון את החוד לכיוון הקצה. העבר כעת את האזמל לכיוון זווית 90° ושבור את החומר.
 - ◀ בעבודה עם ברדלי דיון הולך את האזמל תמיד כנגד קצה החומר ולא כנגד מוטות הדיון.
4. סובב את האזמל באופן סדיר, כיוון ששחיקה אחידה מסייעת לתהליך ההשחזה העצמית.

5.2.2 קביעת הספק החציבה

- ◀ לחץ על מתג בחירת העוצמה.
- ◀ בלחיצה על מתג בחירת העוצמה תוכל להפחית את עוצמת החציבה לכ-70%.

ניתן לקבוע את עוצמת החציבה רק כאשר המכשיר פועל. לחיצה חוזרת על מתג בחירת העוצמה תחזיר את המכשיר לעבוד בעוצמה מלאה. לאחר כיבוי והפעלה מחדש של המכשיר הוא יחזור לעבוד בעוצמת חציבה מלאה.



6 טיפול ותחזוקה

⚠ אזהרה

סכנת התחשמלות! עבודות טיפול ותחזוקה כאשר תקע החשמל מחובר לשקע עלולות להוביל לפציעות ולכוויות קשות. לפני ביצוע עבודות טיפול או תחזוקה כלשהן יש להקפיד ולנתק את תקע החשמל!

טיפול

- הסר בזהירות לכולן שנדבק.
- נקה בזהירות את חריצי האוורור באמצעות מברשת יבשה.
- נקה את גוף המכשיר רק בעזרת מטלית לחה מעט. אין להשתמש בחומרי טיפול המכילים סיליקון, מאחר שהם עלולים לפגוע בחלקי הפלסטיק.

תחזוקה

⚠ אזהרה

סכנת התחשמלות! תיקון לא מקצועי של רכיבים חשמליים עלול לגרום לפציעות קשות ולכוויות. רק חשמלאים מורשים רשאים לבצע תיקונים ברכיבים חשמליים.

- יש לבדוק באופן סדיר את כל החלקים הגלויים כדי לאתר נזקים ולוודא שכל הרכיבים פועלים באופן תקין.
- אם ישנם נזקים ו/או תקלות אין להפעיל את המוצר. הבא מיד את המכשיר לתיקון במעבדת שירות של Hilti.
- לאחר עבודות טיפול ותחזוקה יש להקפיד ולחבר את כל התקני ההגנה ולבדוק את תפקוד המכשיר.

לצורך הפעלה בטוחה של המכשיר יש להשתמש רק בחלקי חילוף וחומרים מתכלים מקוריים. את חלקי החילוף, החומרים המתכלים והאביזרים שאושרו על-ידנו עבור המוצר שלך תמצא ב-Hilti Store שלך או בכתובת: www.hilti.group.



6.1 ניקוי כיסוי ההגנה מפני אבק

- ◀ נקה באופן סדיר את כיסוי ההגנה מפני אבק בתפסנית באמצעות מטלית נקייה ויבשה.
- ◀ נגב בזהירות את שפת האיטום ושמן אותה קלות באמצעות גריד של Hilti.
- ◀ אם שפת האיטום ניזוקה יש להחליף את כיסוי ההגנה מפני אבק ללא דיחוי.

7 הובלה ואחסון

- אין להוביל את המכשיר החשמלי כאשר מחובר אליו כלי.
- יש להקפיד לנתק את תקע החשמל לפני אחסון המכשיר.
- יש לשמור את המכשיר במקום יבש הרחק מהישג ידם של ילדים ואנשים לא מורשים.
- לאחר הובלה או אחסון ממושך יש לבדוק את המכשיר החשמלי לפני שמתמשים בו שוב, כדי לאתר נזקים.

8 תיקון תקלות

אם מתרחשת תקלה שאינה מוסברת בטבלה זו או שאינך יכול לתקן בעצמך, פנה לשירות של Hilti.



תקלה	סיבה אפשרית	פתרון
המכשיר אינו מתחיל לפעול.	מתבצע אתחול של המערכת האלקטרונית (אורך עד 4 שניות מרגע חיבור המכשיר לחשמל). חסימת הפעלה האלקטרונית בכנסה לפעולה לאחר ניתוק החשמל.	◀ כבה את המכשיר והדלק אותו מחדש.
	אספקת החשמל נותקה.	◀ חבר מכשיר חשמלי אחר ובדוק אם הוא פועל.
	גנרטור במצב שינה.	◀ העמס על הגנרטור באמצעות צרכן שני (כגון תאורת אתר בנייה). לאחר מכן כבה את המכשיר והדלק אותו מחדש.
חיווי הטיפולים מאיר באדום.	בדקים למכשיר או הגיע מועד טיפול.	◀ הבא את המכשיר לתיקון במעבדות שירות של Hilti בלבד.
חיווי הטיפולים מבהבה באדום.	מתח החשמל גבוה מדי.	◀ החלק את השקע החשמלי. בדוק את הרשת.
	הגנה מפני התחממות יתר.	◀ אפשר למכשיר להתקרר. נקה את חריצי האוורור. עדיין תתאפשר הפעלה במצב סרק.
אין הלימה.	המכשיר קר מדי.	◀ הצמד את פטיש החציבה לחומר ואפשר לו לעבוד במצב סרק. חזור על הפעולה לפי הצורך עד שמערכת ההלימה מתחילה לעבוד.
המכשיר אינו פועל בעוצמה מלאה.	פונקציית הפחתת העוצמה פעילה.	◀ לחץ על לחצן בחירת העוצמה (שים לב לחיווי העוצמה). נתק וחבר מחדש את המכשיר.
	הכבל המאריך ארוך מדי ו/או חתך הרחוב שלו קטן מדי.	◀ השתמש בכבל מאריך באורך נכון ו/או בעל חתך רחב גדול מספיק.
	מתח אספקת החשמל במוך מדי.	◀ חבר את המכשיר למקור אספקת חשמל אחר.
לא ניתן לשחרר את האזמל מהנעילה.	התפסנית לא נמשכה לאחור עד הסוף.	◀ משוך את נעילת הכלים לאחור עד הסוף והוצא את הכלי.
המכשיר נכבה באמצע העבודה.	הגנה מפני התחממות יתר.	◀ אפשר למכשיר להתקרר. נקה את חריצי האוורור. עדיין תתאפשר הפעלה במצב סרק.

9 סילוק

המוצרים של Hilti מיוצרים בחלקם מגדול מחומרים ניתנים למיחזור. כדי שניתן יהיה למחזרם דרושה הפרדת חומרים מקצועית. במדינות רבות Hilti תקבל את המכשיר הישן שלך בחזרה לצורך מיחזור. פנה לשירות של Hilti או למשווק.

◀ אין להשליך כלי עבודה חשמליים, כלים אלקטרוניים וסוללות לפסולת הביתית!

10 RoHS (Richtlinie zur Beschränkung der Verwendung gefährlicher Stoffe)

בקישור הבא תמצא את טבלת החומרים המסוכנים: qr.hilti.com/r9672135.
קישור לטבלת RoHS תמצא בסוף תיעוד זה, בצורת קוד QR.

11 אחריות יצרן

◀ אם יש לך שאלות בנושא תנאי האחריות, אנא פנה למשווק Hilti הקרוב אליך.





EC Declaration of Conformity | UK Declaration of Conformity



Manufacturer:
Hilti Corporation
Feldkircherstraße 100
9494 Schaan | Liechtenstein

UK Importer:
Hilti (Gt. Britain) Limited
No. 1 Circle Square, 3 Symphony Park
Manchester, England, M1 7FS

TE 1000-AVR (02)

Serial Numbers: 1-99999999999

2006/42/EC Supply of Machinery (Safety) Regulations 2008	EN 62841-1:2015, AC:2015	EN IEC 62841-2-6:2020/A11:2020
2014/30/EU Electromagnetic Compatibility Regulations 2016	EN IEC 55014-1:2021	EN IEC 55014-2:2021
2011/65/EU The Restriction of the Use of Certain Hazardous Substances in Electrical and Electronic Equipment Regulations 2012	EN IEC 61000-3-2:2019, A1:2021	EN 61000-3-3:2013 + A1:2019
2000/14/EC Noise Emission in the Environment by Equipment for use Outdoors Regulations 2001		

Details to 2000/14/EC | Noise Emission in the Environment by Equipment for use Outdoors Regulations 2001:

Measured sound power level L_{WA} : 96 dB/1pW

Guaranteed sound power level, L_{WAd} : 99 dB/1pW

Conformity assessment procedure: 2000/14/EC Annex VI | Noise Emission in the Environment by Equipment for use Outdoors Regulations 2001, Schedule 9

EU Notified Body: TÜV NORD CERT GmbH
Am TÜV 1, 45307 Essen, Germany (CE 0044)

UK Approved Body: HORIBA MIRA Certification Ltd
Watling Street, Nuneaton, Warwickshire CV10 0TU (No 0888)

Schaan, 12.02.2023

Dr. Tahar Zrilli
Head of Quality and Process Management
Business Area Electric Tools & Accessories

Edward-Louis Przybyłowicz
Head of BU Power Tool & Accessories
Business Area Electric Tools & Accessories



<http://qr.hilti.com/r9672135>



Hilti Corporation
LI-9494 Schaan
Tel.:+423 234 21 11
Fax:+423 234 29 65
www.hilti.group



2077719