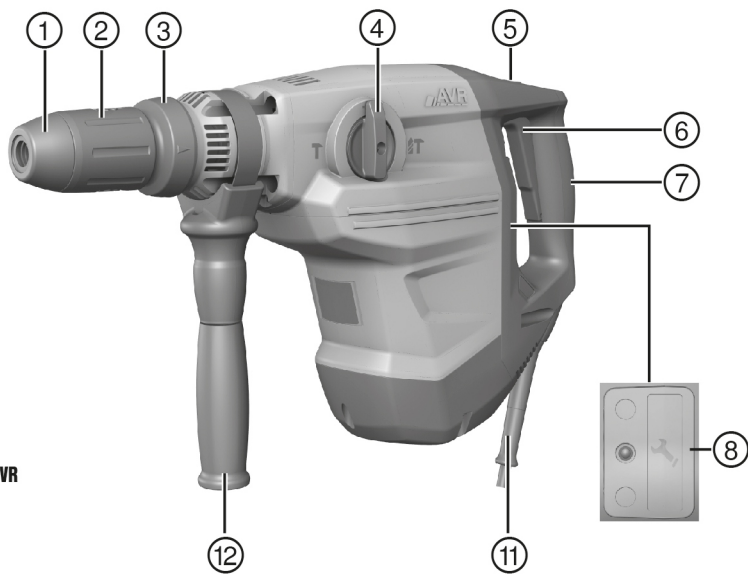


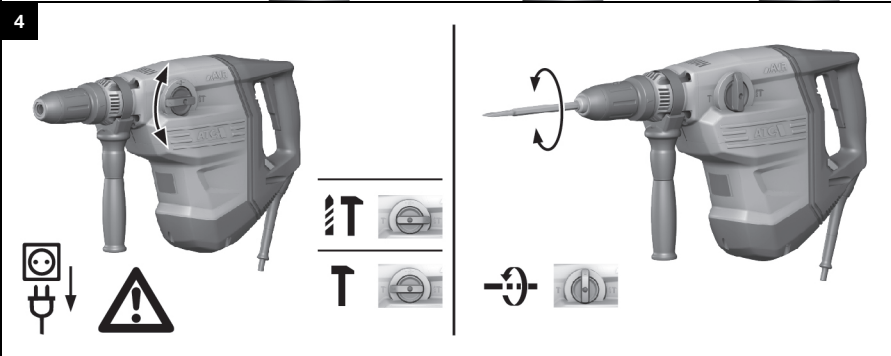
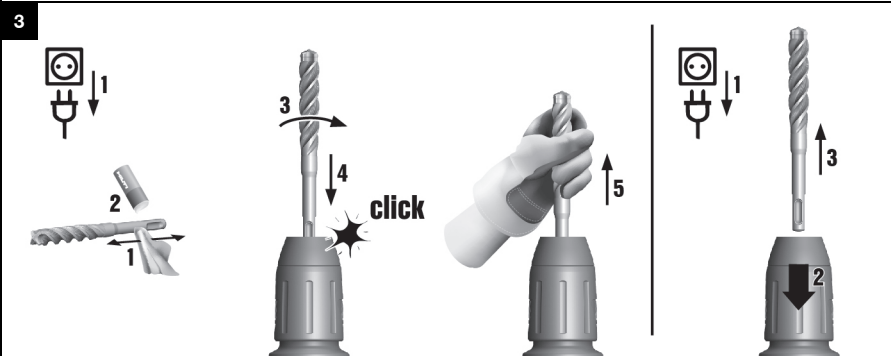
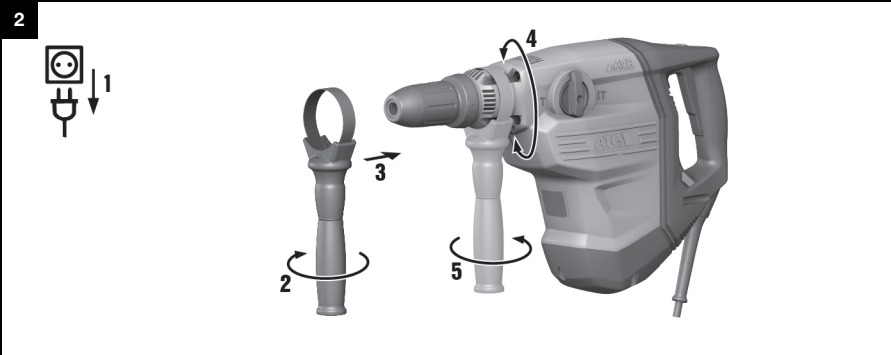


TE 70-AVR

English	1
Français	9
Dansk	19
Svenska	27
Norsk	36
Suomi	44
Русский	53
Türkçe	64
عربي	73
Latviešu	83
Lietuvių	92
Eesti	101
Українська	109
Қазақ	119
日本語	129
한국어	137
繁體中文	145
中文	153



TE 70-AVR



TE 70-AVR

en	Original operating instructions	1
fr	Notice d'utilisation originale	9
da	Original brugsanvisning	19
sv	Originalbruksanvisning	27
no	Original bruksanvisning	36
fi	Alkuperäiset ohjeet	44
ru	Перевод оригинального руководства по эксплуатации	53
tr	Orijinal kullanım kılavuzu	64
ar	دليل الاستعمال الأصلي	73
lv	Originālā lietošanas instrukcija	83
lt	Originali naudojimo instrukcija	92
et	Originaalkasutusjuhend	101
uk	Оригінальна інструкція з експлуатації	109
kk	Түпнұсқа пайдалану бойынша нұсқаулық	119
ja	オリジナル取扱説明書	129
ko	오리지널 사용 설명서	137
zh	原始操作說明	145
cn	原版操作说明	153

Original operating instructions

1 Information about the operating instructions

1.1 About these operating instructions

- Read these operating instructions before the product is used or operated for the first time. This is a prerequisite for safe, trouble-free handling and use of the product.
- Observe the safety instructions and warnings in these operating instructions and on the product.
- Always keep the operating instructions with the product and make sure that the product is accompanied by these operating instructions only, when the product is given to other persons.

1.2 Explanation of symbols

1.2.1 Warnings

Warnings alert persons to hazards that occur when handling or using the product. The following signal words are used:

DANGER

DANGER !

- ▶ Draws attention to imminent danger that will lead to serious personal injury or fatality.

WARNING

WARNING !

- ▶ Draws attention to a potential threat of danger that can lead to serious injury or fatality.





CAUTION

CAUTION !

- ▶ Draws attention to a potentially dangerous situation that could lead to personal injury or damage to the equipment or other property.




1.2.2 Symbols in the operating instructions

The following symbols are used in these operating instructions:

	Comply with the operating instructions
	Instructions for use and other useful information
	Dealing with recyclable materials
	Do not dispose of electric equipment and batteries as household waste

1.2.3 Symbols in illustrations

The following symbols are used in illustrations:

	These numbers refer to the illustrations at the beginning of these operating instructions.
3	The numbers in illustrations refer to important work steps or to components important for the work steps. In the text, the corresponding numbers draw attention to these work steps or components, e.g. (3) .
	Item reference numbers are used in the overview illustration and refer to the numbers used in the key in the product overview section.
	This symbol is intended to draw your special attention to certain points for handling the product.



1.3 Product-dependent symbols

1.3.1 Symbols on the product

The following symbols are used on the product:

	Drilling with hammering action (hammer drilling)
	Chiseling
	Chisel positioning
	Protection class II (double-insulated)
n_0	Rated speed under no load
/min	Revolutions per minute
RPM	Revolutions per minute
\emptyset	Diameter
	Alternating current
	The product supports wireless data transmission compatible with iOS and Android platforms.

1.4 Product information

products are designed for professional users and only trained, authorized personnel are permitted to operate, service and maintain the products. This personnel must be specifically informed about the possible hazards. The product and its ancillary equipment can present hazards if used incorrectly by untrained personnel or if used not in accordance with the intended use.

The type designation and serial number are printed on the rating plate.

- ▶ Write down the serial number in the table below. You will be required to state the product details when contacting Hilti Service or your local Hilti organization to inquire about the product.

Product information

Combihammer	TE 70-AVR
Generation	03
Serial no.	

1.5 Declaration of conformity

We declare, on our sole responsibility, that the product described here complies with the applicable directives and standards. A copy of the declaration of conformity can be found at the end of this documentation.

The technical documentation is filed here:

Hilti Entwicklungsgesellschaft mbH | Tool Certification | Hiltistrasse 6 | 86916 Kaufering, Germany

2 Safety

2.1 General power tool safety warnings

⚠ WARNING Read all safety warnings, instructions, illustrations and specifications provided with this power tool. Failure to follow all instructions listed below may result in electric shock, fire and/or serious injury. **Save all warnings and instructions for future reference.**

The term "power tool" in the warnings refers to your mains-operated (corded) power tool or battery-operated (cordless) power tool.

Work area safety

- ▶ **Keep work area clean and well lit.** Cluttered or dark areas invite accidents.
- ▶ **Do not operate power tools in explosive atmospheres, such as in the presence of flammable liquids, gases or dust.** Power tools create sparks which may ignite the dust or fumes.



- ▶ **Keep children and bystanders away while operating a power tool.** Distractions can cause you to lose control.

Electrical safety

- ▶ **Power tool plugs must match the outlet. Never modify the plug in any way. Do not use any adapter plugs with earthed (grounded) power tools.** Unmodified plugs and matching outlets will reduce risk of electric shock.
- ▶ **Avoid body contact with earthed or grounded surfaces, such as pipes, radiators, ranges and refrigerators.** There is an increased risk of electric shock if your body is earthed or grounded.
- ▶ **Do not expose power tools to rain or wet conditions.** Water entering a power tool will increase the risk of electric shock.
- ▶ **Do not abuse the cord. Never use the cord for carrying, pulling or unplugging the power tool. Keep cord away from heat, oil, sharp edges or moving parts.** Damaged or entangled cords increase the risk of electric shock.
- ▶ **When operating a power tool outdoors, use an extension cord suitable for outdoor use.** Use of a cord suitable for outdoor use reduces the risk of electric shock.
- ▶ **If operating a power tool in a damp location is unavoidable, use a residual current device (RCD) protected supply.** Use of an RCD reduces the risk of electric shock.

Personal safety

- ▶ **Stay alert, watch what you are doing and use common sense when operating a power tool. Do not use a power tool while you are tired or under the influence of drugs, alcohol or medication.** A moment of inattention while operating power tools may result in serious personal injury.
- ▶ **Use personal protective equipment. Always wear eye protection.** Protective equipment such as a dust mask, non-skid safety shoes, hard hat or hearing protection used for appropriate conditions will reduce personal injuries.
- ▶ **Prevent unintentional starting. Ensure the switch is in the off-position before connecting to power source and/or battery pack, picking up or carrying the tool.** Carrying power tools with your finger on the switch or energising power tools that have the switch on invites accidents.
- ▶ **Remove any adjusting key or wrench before turning the power tool on.** A wrench or a key left attached to a rotating part of the power tool may result in personal injury.
- ▶ **Do not overreach. Keep proper footing and balance at all times.** This enables better control of the power tool in unexpected situations.
- ▶ **Dress properly. Do not wear loose clothing or jewellery. Keep your hair and clothing away from moving parts.** Loose clothes, jewellery or long hair can be caught in moving parts.
- ▶ **If devices are provided for the connection of dust extraction and collection facilities, ensure these are connected and properly used.** Use of dust collection can reduce dust-related hazards.
- ▶ **Do not let familiarity gained from frequent use of tools allow you to become complacent and ignore tool safety principles.** A careless action can cause severe injury within a fraction of a second.

Power tool use and care

- ▶ **Do not force the power tool. Use the correct power tool for your application.** The correct power tool will do the job better and safer at the rate for which it was designed.
- ▶ **Do not use the power tool if the switch does not turn it on and off.** Any power tool that cannot be controlled with the switch is dangerous and must be repaired.
- ▶ **Disconnect the plug from the power source and/or remove the battery pack, if detachable, from the power tool before making any adjustments, changing accessories, or storing power tools.** Such preventive safety measures reduce the risk of starting the power tool accidentally.
- ▶ **Store idle power tools out of the reach of children and do not allow persons unfamiliar with the power tool or these instructions to operate the power tool.** Power tools are dangerous in the hands of untrained users.
- ▶ **Maintain power tools and accessories. Check for misalignment or binding of moving parts, breakage of parts and any other condition that may affect the power tool's operation. If damaged, have the power tool repaired before use.** Many accidents are caused by poorly maintained power tools.
- ▶ **Keep cutting tools sharp and clean.** Properly maintained cutting tools with sharp cutting edges are less likely to bind and are easier to control.
- ▶ **Use the power tool, accessories and tool bits etc. in accordance with these instructions, taking into account the working conditions and the work to be performed.** Use of the power tool for operations different from those intended could result in a hazardous situation.
- ▶ **Keep handles and grasping surfaces dry, clean and free from oil and grease.** Slippery handles and grasping surfaces do not allow for safe handling and control of the tool in unexpected situations.



Service

- ▶ **Have your power tool serviced by a qualified repair person using only identical replacement parts.** This will ensure that the safety of the power tool is maintained.

2.2 Drill safety warnings**Safety instructions for all operations**

- ▶ **Wear ear protectors when impact drilling.** Exposure to noise can cause hearing loss.
- ▶ **Use the auxiliary handle(s).** Loss of control can cause personal injury.
- ▶ **Hold the power tool by insulated gripping surfaces, when performing an operation where the cutting accessory or fasteners may contact hidden wiring or its own cord.** Cutting accessory or fasteners contacting a "live" wire may make exposed metal parts of the power tool "live" and could give the operator an electric shock.

Safety instructions when using long drill bits

- ▶ **Never operate at higher speed than the maximum speed rating of the drill bit.** At higher speeds, the bit is likely to bend if allowed to rotate freely without contacting the workpiece, resulting in personal injury.
- ▶ **Always start drilling at low speed and with the bit tip in contact with the workpiece.** At higher speeds, the bit is likely to bend if allowed to rotate freely without contacting the workpiece, resulting in personal injury.
- ▶ **Apply pressure only in direct line with the bit and do not apply excessive pressure.** Bits can bend causing breakage or loss of control, resulting in personal injury.

Safety instructions for using mixing paddles or stirrers

- ▶ **Switch the power tool on or off only when the mixing paddle is immersed in the material for mixing.** Failure to do so can cause a loss of control with resultant risk of injury.

2.3 Additional safety instructions for rotary hammer drill**Personal safety**

- ▶ Use the product and accessories only when they are in perfect working order.
- ▶ Never tamper with or modify the product or accessories in any way.
- ▶ Use auxiliary handles supplied with the product. Loss of control can cause personal injury.
- ▶ Apply appropriate safety measures at the opposite side of the workpiece in work that involves breaking through. Parts breaking away could fall out and / or fall down causing injury to other persons.
- ▶ Always hold the tool with both hands on the grips provided. Keep the grips clean and dry.
- ▶ Hold the product by the insulated gripping surfaces when performing work in which the accessory tool might come into contact with concealed wiring. If the accessory tool comes into contact with a live wire, metal parts of the power tool can also become live, resulting in an electric shock.
- ▶ Do not touch rotating parts – risk of injury!
- ▶ Wear eye protection, a hard hat and ear protection and suitable respiratory protection while the product is in use.
- ▶ Wear protective gloves when changing the accessory tool. Touching the accessory tool can result in cuts and burns.
- ▶ Wear eye protection. Flying fragments can injure the body and eyes.
- ▶ Dust produced by grinding, sanding, cutting and drilling can contain dangerous chemicals. Some examples are: lead or lead-based paints; brick, concrete and other masonry products, natural stone and other products containing silicates; certain types of wood, such as oak, beech and chemically treated wood; asbestos or materials that contain asbestos. Determine the exposure of the operator and bystanders by means of the hazard classification of the materials to be worked. Implement the necessary measures to restrict exposure to a safe level, for example by the use of a dust collection system or by the wearing of suitable respiratory protection. The general measures for reducing exposure include:
 - ▶ working in an area that is well ventilated,
 - ▶ avoidance of prolonged contact with dust,
 - ▶ directing dust away from the face and body,
 - ▶ wearing protective clothing and washing exposed areas of the skin with water and soap.
- ▶ Take frequent breaks and do physical exercises to improve the blood circulation in your fingers. High vibration during long periods of work can lead to disorders of the blood vessels and nervous system in the fingers, hands and wrists.



Electrical safety

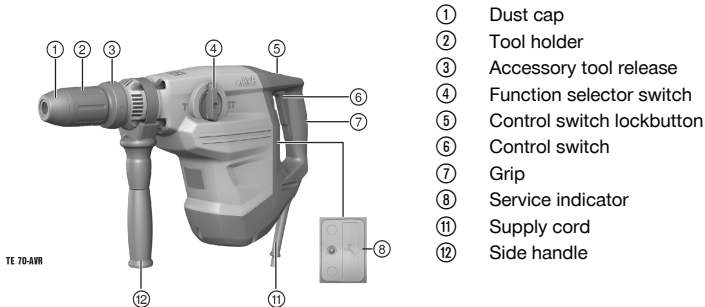
- ▶ Before beginning work, check the working area for concealed electric cables or gas and water pipes. External metal parts of the product could give you an electric shock or cause an explosion if you accidentally damage an electric cable or a gas or water pipe.

Power tool use and care

- ▶ Switch the product off immediately if the accessory tool jams. The product might twist off-line.
- ▶ Wait until the product has come to a complete stop before you lay it down.

3 Description

3.1 Product overview



3.2 Intended use

The product described is an electrically powered combihammer with pneumatic hammering mechanism. It is designed for drilling in concrete, masonry, wood and metal. The product can also be used for light- to medium-duty chiseling on masonry and surface finishing work on concrete.

- ▶ The tool may be operated only when connected to a power source providing a voltage and frequency in compliance with the information given on the type identification plate.

3.3 AVR option

The product may be optionally equipped with an Active Vibration Reduction (AVR) system, which reduces vibration noticeably.

3.4 Service indicator

The product is equipped with a service indicator LED.

3.4.1 Service indicator status

Status	Meaning
The service indicator lights red.	End of service interval – servicing is due.
The service indicator blinks red.	Have the combihammer repaired by Hilti Service .

3.5 Items supplied

Combihammer, side handle, operating instructions.

Other system products approved for use with this product can be found at your local **Hilti Store** or at: www.hilti.group | USA: www.hilti.com



4 Technical data



For details of the rated voltage, current, frequency and/or input power, please refer to the power tool's country-specific type identification plate.

When powered by a generator or transformer, the generator or transformer's power output must be at least twice the rated input power shown on the rating plate of the power tool. The operating voltage of the transformer or generator must always be within +5% and -15% of the rated voltage of the power tool.

	TE 70-AVR
Weight in accordance with EPTA procedure 01	8.3 kg
Single impact energy in accordance with EPTA procedure 05	11.5 J
Hammer drill bits, Ø	12 mm ... 55 mm
Ø drill bits for wood	10 mm ... 32 mm
Ø drill bits for metal	0 mm ... 20 mm

4.1 Noise information and vibration values in accordance with EN 62841

The sound pressure and vibration values given in these instructions were measured in accordance with a standardized test and can be used to compare one power tool with another. They can also be used for a preliminary assessment of exposure.

The data given represent the main applications of the power tool. However, if the power tool is used for different applications, with different accessory tools, or is poorly maintained, the data can vary. This can significantly increase exposure over the total working period.

An accurate estimation of exposure should also take into account the times when the power tool is switched off, or when it is running but not actually being used for a job. This can significantly reduce exposure over the total working period.

Identify additional safety measures to protect the operator from the effects of noise and/or vibration, for example: maintaining the power tool and accessory tools, keeping the hands warm, organization of work patterns.

Noise emission values

	TE 70-AVR
Sound (power) level (L_{WA})	113 dB(A)
Uncertainty for the sound power level (K_{WA})	3 dB(A)
Emission sound pressure level (L_{pA})	99 dB(A)
Uncertainty for the sound pressure level (K_{pA})	3 dB(A)

Total vibration

	TE 70-AVR
Hammer drilling in concrete ($a_{h, HD}$)	10.8 m/s ²
Chiseling ($a_{h, Chis}$)	9 m/s ²
Uncertainty (K)	1.5 m/s ²

5 Operation

5.1 Fitting the side handle

CAUTION

Risk of injury Loss of control over the product.

- ▶ Check that the side handle is fitted correctly and tightened securely. Check that the clamping band is engaged in the groove in the product.

- ▶ Fit the side handle.



5.2 Fitting / removing the accessory tool



The use of unsuitable grease may cause damage to the tool. **Use only genuine Hilti grease.**
Always check the accessory tool for damage and uneven wear before each use; replace if necessary.

- ▶ Fit or remove the accessory tool, as applicable.

5.3 Drilling without hammer action



Drilling without hammer action is possible when accessory tools with a special connection end are used. Tools of this kind are available from the **Hilti** tools range.

When the keyless quick-release chuck is fitted, smooth-shank drill bits for wood or steel, for example, can be used to drill without hammer action.

- ▶ Set the function selector switch to the “Hammer drilling” position

5.4 Drilling with hammer action (hammer drilling)

- ▶ Set the function selector switch to the “Hammer drilling” position

5.5 Chisel positioning



CAUTION

Risk of injury! Loss of control over the chisel direction.

- ▶ Do not operate the tool when the selector switch is set to “Chisel positioning”. Turn the function selector switch until it engages in the “Chiseling” position.



The chisel can be set to 24 different positions (in 15° increments). This ensures that flat chisels and shaped chisels can always be set to the optimum working position.

- ▶ Set the function selector switch to the “Chisel positioning” position

5.6 Chiseling

- ▶ Set the function selector switch to the “Chiseling” position

5.7 Control switch lock



When chiseling, the control switch can be locked in the “on” position.

- ▶ Press the control switch lock.

6 Care and maintenance



WARNING

Electric shock hazard! Attempting care and maintenance with the supply cord connected to a power outlet can lead to severe injury and burns.

- ▶ Always unplug the supply cord before carrying out care and maintenance tasks.

Care

- Carefully remove stubborn dirt from the tool.
- Clean the air vents carefully with a dry brush.
- Use only a slightly damp cloth to clean the casing. Do not use cleaning agents containing silicone as they can attack the plastic parts.



Maintenance



WARNING

Danger of electric shock! Improper repairs to electrical components may lead to serious injuries including burns.

- ▶ Repairs to the electrical section of the tool or appliance may be carried out only by trained electrical specialists.
-
- Check all visible parts and controls for signs of damage at regular intervals and make sure that they all function correctly.
 - Do not operate the product if signs of damage are found or if parts malfunction. Have it repaired immediately by **Hilti Service**.
 - After cleaning and maintenance, fit all guards or protective devices and check that they function correctly.



To help ensure safe and reliable operation, use only genuine Hilti spare parts and consumables. Spare parts, consumables and accessories approved by Hilti for use with the product can be found at your local **Hilti Store** or online at: www.hilti.group.

7 Transport and storage

- Do not transport electric tools with accessory tools fitted.
- Always unplug the supply cord before storing an electric tool or appliance.
- Store tools and appliances in a dry place where they cannot be accessed by children or unauthorized persons.
- Check electric tools or appliances for damage after long periods of transport or storage.

8 Troubleshooting

If the trouble you are experiencing is not listed in this table or you are unable to remedy the problem by yourself, please contact **Hilti Service**.

8.1 Troubleshooting

Trouble or fault	Possible cause	Action to be taken
Combihammer does not start.	Interruption in the electric supply.	▶ Plug in another electric tool or appliance and check whether it works.
	The generator is in sleep mode.	▶ Apply a load to the generator by connecting a second power consumer (e.g. worklight). Switch the tool off and then on again.
	The electronic restart interlock is activated after an interruption in the electric supply.	▶ Switch the power tool off and then on again.
	The carbon brushes are worn.	▶ Have checked, and if necessary replaced, by a trained electrical specialist.
No hammering action.	The power tool is too cold.	▶ Bring the tip of the accessory tool into contact with the working surface, switch the power tool on and allow it to run. If necessary, repeat the procedure until the hammering mechanism begins to operate.
Combihammer does not achieve full power.	The extension cord is too long or the conductor cross-section is inadequate.	▶ Use an extension cord of an approved length and / or of adequate conductor cross-section.



Trouble or fault	Possible cause	Action to be taken
Combihammer does not achieve full power.	The control switch is not fully pressed.	▶ Press the control switch as far as it will go.
	The voltage provided by the electric supply is too low.	▶ Connect the power tool to a different power source.
Drill bit does not rotate.	The function selector switch is not engaged or is in the "Chiseling" position T or the "Chisel positioning" position \rightarrow .	▶ With the motor at a standstill, set the function selector switch to the "Hammer drilling" HT position.
Drill bit is not released.	The chuck is not pulled back fully.	▶ Pull the tool lock back as far as it will go and remove the accessory tool.
	The side handle is not fitted correctly.	▶ Disengage the side handle and refit it correctly so that the clamping band and side handle engage in the recess.
The service indicator blinks red.	A fault has occurred in the tool.	▶ Have the product repaired by Hilti Service .
The service indicator lights red.	The carbon brushes are worn.	▶ Have checked, and if necessary replaced, by a trained electrical specialist.

9 Disposal

Most of the materials from which **Hilti** tools and appliances are manufactured can be recycled. The materials must be correctly separated before they can be recycled. In many countries, your old tools, machines or appliances can be returned to **Hilti** for recycling. Ask **Hilti Service** or your Hilti representative for further information.



- ▶ Do not dispose of power tools, electronic equipment or batteries as household waste!

10 RoHS (Restriction of Hazardous Substances)

Click on the links to go to the table of hazardous substances: qr.hilti.com/r1021413

There is a link to the RoHS table, in the form of a QR code, at the end of this document.

11 Manufacturer's warranty

- ▶ Please contact your local **Hilti** representative if you have questions about the warranty conditions.

Notice d'utilisation originale

1 Indications relatives au mode d'emploi

1.1 À propos de ce mode d'emploi

- Avant de mettre l'appareil en marche, lire impérativement ce mode d'emploi. C'est la condition préalablement requise pour assurer la sécurité du travail et un maniement sans perturbations.
- Bien respecter les consignes de sécurité et les avertissements du présent mode d'emploi ainsi que celles figurant sur le produit.
- Toujours conserver le mode d'emploi à proximité du produit et uniquement transmettre le produit à des tiers accompagné de ce mode d'emploi.



1.2 Explication des symboles

1.2.1 Avertissements

Les avertissements attirent l'attention sur des dangers liés à l'utilisation du produit. Les termes de signalisation suivants sont utilisés :

DANGER

DANGER !

- Pour un danger imminent qui peut entraîner de graves blessures corporelles ou la mort.

AVERTISSEMENT

AVERTISSEMENT !

- Pour un danger potentiel qui peut entraîner de graves blessures corporelles ou la mort.





ATTENTION

ATTENTION !

- Pour une situation potentiellement dangereuse pouvant entraîner des blessures corporelles ou des dégâts matériels.





1.2.2 Symboles dans le manuel d'utilisation

Les symboles suivants sont utilisés dans le présent manuel d'utilisation :

	Respecter le manuel d'utilisation
	Pour des conseils d'utilisation et autres informations utiles
	Maniement des matériaux recyclables
	Ne pas jeter les appareils électriques et les accus dans les ordures ménagères

1.2.3 Symboles dans les illustrations




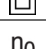
Les symboles suivants sont utilisés dans les illustrations :

	Ces chiffres renvoient à l'illustration correspondante au début du présent manuel d'utilisation.
	La numérotation dans les illustrations indique les étapes de travail importantes ou les composants importants pour les étapes de travail. Dans le texte, ces étapes de travail ou composants sont mis en évidence avec les numéros correspondants, par ex. (3).
	Les numéros de position sont utilisés dans l'illustration Vue d'ensemble et renvoient aux numéros des légendes dans la section Vue d'ensemble du produit .
	Ce signe doit inviter à manier le produit en faisant particulièrement attention.

1.3 Symboles spécifiques au produit

1.3.1 Symboles sur le produit

Les symboles suivants sont utilisés sur le produit :

	Perçage avec percussion
	Burinage
	Positionnement du burin
	Classe de protection II (double isolation)
n_0	Vitesse nominale à vide



/min	Tours par minute
RPM	Tours par minute
∅	Diamètre
~	Courant alternatif
	Le produit prend en charge la transmission de données sans fil qui est compatible avec les plates-formes iOS et Android.

1.4 Informations produit

Les produits sont destinés aux professionnels et ne doivent être utilisés, entretenus et réparés que par un personnel autorisé et formé. Ce personnel doit être spécialement instruit quant aux dangers inhérents à l'utilisation de l'appareil. Le produit et ses accessoires peuvent s'avérer dangereux s'ils sont utilisés de manière incorrecte par un personnel non qualifié ou de manière non conforme à l'usage prévu.

La désignation du modèle et le numéro de série figurent sur sa plaque signalétique.

- ▶ Inscrivez le numéro de série dans le tableau suivant. Les informations produit vous seront demandées lorsque vous contactez nos revendeurs ou services après-vente.

Caractéristiques produit

Perforateur-burineur	TE 70-AVR
Génération	03
N° de série	

1.5 Déclaration de conformité

Nous déclarons sous notre seule et unique responsabilité que le produit décrit ici est conforme aux directives et normes en vigueur. Une copie de la Déclaration de conformité se trouve en fin de la présente documentation.

Pour obtenir les documentations techniques, s'adresser à :

Hilti Entwicklungsgesellschaft mbH | Zulassung Geräte | Hiltistraße 6 | 86916 Kaufering, DE

2 Sécurité

2.1 Indications générales de sécurité pour les appareils électriques

⚠ AVERTISSEMENT Lire toutes les consignes de sécurité et instructions, illustrations et caractéristiques techniques, qui accompagnent cet outil électroportatif. Tout manquement à l'observation des instructions suivantes risque de provoquer une électrocution, un incendie et/ou de graves blessures.

Les consignes de sécurité et instructions doivent être intégralement conservées pour les utilisations futures.

La notion d'« outil électroportatif » mentionnée dans les consignes de sécurité se rapporte à des outils électriques raccordés au secteur (avec câble d'alimentation) et à des outils électriques sur accu (sans câble d'alimentation).

Sécurité sur le lieu de travail

- ▶ **Conserver la zone de travail propre et bien éclairée.** Un lieu de travail en désordre ou mal éclairé augmente le risque d'accidents.
- ▶ **Ne pas faire fonctionner les outils électriques en atmosphère explosive et où se trouvent des liquides, des gaz ou poussières inflammables.** Les outils électriques produisent des étincelles qui peuvent enflammer les poussières ou les fumées.
- ▶ **Maintenir les enfants et les personnes présentes à l'écart pendant l'utilisation de l'outil électroportatif.** En cas d'inattention il y a risque de perdre le contrôle de l'appareil.

Sécurité relative au système électrique

- ▶ **La fiche de secteur de l'outil électroportatif doit être adaptée à la prise de courant. Ne jamais modifier la fiche de quelque façon que ce soit. Ne pas utiliser d'adaptateurs avec des outils électriques à branchement de terre.** Des fiches non modifiées et des prises de courant adaptées réduiront le risque de choc électrique.



- ▶ **Éviter le contact physique avec des surfaces mises à la terre tels que tuyaux, radiateurs, cuisinières et réfrigérateurs.** Il y a un risque élevé de choc électrique au cas où votre corps serait relié à la terre.
- ▶ **Ne pas exposer les outils électroportatifs à la pluie ou à l'humidité.** La pénétration d'eau à l'intérieur d'un outil électroportatif augmentera le risque d'un choc électrique.
- ▶ **Ne jamais utiliser le câble de raccordement à d'autres fins que celles prévues, telles que pour porter, accrocher ou débrancher l'outil électroportatif de la prise de courant. Maintenir le câble de raccordement à l'écart de la chaleur, des parties grasses, des bords tranchants ou des parties en mouvement.** Des câbles de raccordement endommagés ou emmêlés augmentent le risque de choc électrique.
- ▶ **Si l'outil électroportatif est utilisé à l'extérieur, utiliser uniquement des câbles de rallonge homologués pour les applications extérieures.** L'utilisation d'un câble de rallonge homologué pour les applications extérieures réduit le risque d'un choc électrique.
- ▶ **Si l'utilisation de l'outil électrique dans un environnement humide ne peut pas être évitée, utiliser un interrupteur de protection contre les courants de court-circuit.** L'utilisation d'un tel interrupteur de protection réduit le risque d'une décharge électrique.

Sécurité des personnes

- ▶ **Rester vigilant, surveiller ce que l'on fait. Faire preuve de bon sens en utilisant l'outil électroportatif. Ne pas utiliser l'outil électroportatif en étant fatigué ou sous l'emprise de l'alcool, de drogues ou de médicaments.** Un moment d'inattention lors de l'utilisation de l'outil électroportatif peut entraîner des blessures graves.
- ▶ **Utiliser un équipement de protection personnel et toujours porter une protection pour les yeux.** Les équipements de protection personnels tels que masque antipoussière, chaussures de sécurité antidérapantes, casque de protection ou protection acoustique suivant l'utilisation de l'outil électroportatif, réduiront le risque de blessures des personnes.
- ▶ **Éviter une mise en service par mégarde. S'assurer que l'outil électroportatif est arrêté avant de le brancher à la source de courant et/ou à l'accu, de le prendre ou de le porter.** Le fait de porter l'outil électroportatif avec le doigt sur l'interrupteur ou de brancher l'appareil sur la source de courant lorsque l'interrupteur est en position de fonctionnement peut entraîner des accidents.
- ▶ **Retirer tout outil de réglage ou toute clé avant de mettre l'outil électroportatif en fonctionnement.** Une clé ou un outil se trouvant sur une partie en rotation peut causer des blessures.
- ▶ **Adopter une bonne posture. Veiller à toujours garder une position stable et équilibrée.** Cela permet un meilleur contrôle de l'outil électroportatif dans des situations inattendues.
- ▶ **S'habiller de manière adaptée. Ne pas porter de vêtements amples ni de bijoux. Garder les cheveux, les vêtements et les gants à distance des parties en mouvement.** Des vêtements amples, des bijoux ou des cheveux longs peuvent être happés par des parties en mouvement.
- ▶ **Si des dispositifs servant à aspirer ou à recueillir les poussières doivent être utilisés, s'assurer qu'ils sont effectivement raccordés et correctement utilisés.** L'utilisation d'un dispositif d'aspiration de la poussière peut réduire les risques dus aux poussières.
- ▶ **Ne pas sous-estimer les mesures de sécurité à prendre et ne pas ignorer sciemment les règles de sécurité applicables aux outils électriques, même si l'on est utilisateur chevronné après de fréquentes utilisations de l'outil électroportatif.** Un manque d'attention peut conduire à de graves blessures en quelques fractions de seconde.

Utilisation et maniement de l'outil électroportatif

- ▶ **Ne pas forcer l'appareil. Utiliser l'outil électroportatif adapté au travail à effectuer.** Un outil électroportatif approprié réalisera mieux le travail et de manière plus sûre au régime pour lequel il a été conçu.
- ▶ **Ne pas utiliser d'outil électroportatif dont l'interrupteur est défectueux.** Tout outil électroportatif qui ne peut plus être mis en ou hors fonctionnement est dangereux et doit être réparé.
- ▶ **Débrancher la fiche de la prise de courant et/ou l'accu amovible avant d'effectuer des réglages sur l'appareil, de changer les accessoires, ou de ranger l'appareil.** Cette mesure de précaution empêche une mise en fonctionnement par mégarde de l'outil électroportatif.
- ▶ **Conserver les outils électroportatifs non utilisés hors de portée des enfants. Ne permettre l'utilisation de l'appareil à aucune personne qui ne soit pas familiarisée avec celui-ci ou qui n'a pas lu ces instructions.** Les outils électroportatifs sont dangereux lorsqu'ils sont entre les mains de personnes non initiées.
- ▶ **Prendre soin des outils électroportatifs et des accessoires. Vérifier que les parties en mouvement fonctionnent correctement et qu'elles ne sont pas coincées, et contrôler si des parties sont cassées ou endommagées de sorte que le bon fonctionnement de l'outil électroportatif s'en trouve entravé. Faire réparer les parties endommagées avant d'utiliser l'appareil.** De nombreux accidents sont dus à des outils électroportatifs mal entretenus.



- ▶ **Garder les outils de coupe affûtés et propres.** Des outils destinés à couper correctement entretenus avec des arêtes de coupe tranchantes sont moins susceptibles de bloquer et sont plus faciles à contrôler.
- ▶ **L'outil électroportatif, les accessoires, les outils amovibles, etc. doivent être utilisés conformément à ces instructions.** Tenir également compte des conditions de travail et du travail à réaliser. L'utilisation des outils électroportatifs à d'autres fins que celles prévues peut entraîner des situations dangereuses.
- ▶ **Veiller à ce que les poignées et surfaces de préhension soient toujours être sèches, propres et exemptes de traces de graisse ou d'huile.** Avec des poignées et surfaces de préhension glissantes, la sécurité et le contrôle de l'outil électroportatif ne peuvent être assurés dans des situations inopinées.

Service

- ▶ **L'outil électroportatif doit uniquement être réparé par un personnel qualifié, utilisant exclusivement des pièces de rechange d'origine.** Ceci permet d'assurer la sécurité de l'outil électroportatif.

2.2 Indications de sécurité pour les perceuses

Consignes de sécurité pour tous les travaux

- ▶ **Porter un casque antibruit lors du perçage à percussion.** Le bruit peut entraîner des pertes auditives.
- ▶ **Utiliser la poignée supplémentaire.** La perte de contrôle peut entraîner des blessures.
- ▶ **Tenir l'outil électroportatif par les surfaces isolées des poignées lors des travaux pendant lesquels l'outil amovible ou les vis risquent de toucher des câbles électriques cachés ou son propre cordon d'alimentation.** Le contact avec un câble sous tension risque de mettre les parties métalliques de l'appareil sous tension et de provoquer une décharge électrique.

Consignes de sécurité lors de l'utilisation de la mèche longue

- ▶ **Ne jamais travailler avec une vitesse de rotation plus élevée que la vitesse de rotation maximale autorisée pour la mèche.** En cas de vitesse de rotation plus élevée, la mèche risque de se déformer légèrement si elle peut tourner librement sans contact avec la pièce travaillée et entraîner des blessures.
- ▶ **Toujours commencer l'opération de perçage à vitesse réduite et alors que la mèche est en contact avec la pièce travaillée.** En cas de vitesse de rotation plus élevée, la mèche risque de se déformer légèrement si elle peut tourner librement sans contact avec la pièce travaillée et entraîner des blessures.
- ▶ **Ne pas exercer de pression excessive et seulement dans le sens longitudinal.** Les mèches peuvent se tordre et donc se casser, ou il peut y avoir perte de contrôle de l'appareil ce qui entraîne un risque de blessures.

Consignes de sécurité lors de l'utilisation de malaxeurs et mélangeurs

- ▶ **Mettre l'outil électroportatif en marche ou arrêter seulement si le malaxeur est plongé dans le matériau à malaxer.** Sans quoi il peut y avoir perte de contrôle ce qui entraîne un risque de blessures.

2.3 Consignes de sécurité supplémentaires spécifiques au perforateur-burieur

Sécurité des personnes

- ▶ Utiliser le produit et les accessoires uniquement s'ils sont en parfait état.
- ▶ Ne jamais entreprendre de manipulation ni de modification sur le produit ou les accessoires.
- ▶ Utiliser les poignées supplémentaires livrées avec le produit. La perte de contrôle peut entraîner des blessures.
- ▶ Lors de travaux d'ajourage, protéger l'espace du côté opposé aux travaux. Des morceaux de matériaux risquent d'être éjectés et / ou de tomber, et de blesser d'autres personnes.
- ▶ Toujours tenir le produit des deux mains par les poignées prévues à cet effet. Tenir les poignées toujours sèches et propres.
- ▶ Tenir le produit par les surfaces de préhension isolées lors de travaux pendant lesquels l'outil amovible risque de toucher des câbles électriques cachés. Le contact avec un câble sous tension risque de mettre les parties métalliques de l'appareil sous tension et de provoquer une décharge électrique.
- ▶ Éviter de toucher des pièces en rotation – Risque de blessures !
- ▶ Pendant l'utilisation du produit, porter des lunettes de protection, un casque de protection, un casque antibruit et une protection respiratoire appropriée.
- ▶ Porter des gants de protection pour changer d'outil. Risque de blessures par coupure et de brûlures au contact avec l'outil amovible.
- ▶ Porter des lunettes de protection. Les éclats de matière peuvent entraîner des blessures corporelles et aux yeux.



- ▶ La poussière générée par le meulage, le ponçage, le tronçonnage et le forage peut contenir des produits chimiques dangereux. Par exemple : plomb ou peinture à base de plomb ; brique, béton et autres produits de maçonnerie, pierre naturelle et autres produits contenant des silicates ; certains bois, tels que le chêne, le hêtre et le bois traité chimiquement ; amiante ou matériaux contenant de l'amiante. Déterminer l'exposition de l'opérateur et personnes se trouvant dans l'entourage en fonction de la classe de danger des matériaux traités. Prendre les mesures nécessaires pour maintenir l'exposition à un niveau sûr, par exemple en utilisant un système de collecte des poussières ou en portant une protection respiratoire appropriée. Mesures générales visant à réduire l'exposition :
 - ▶ Travailler dans un endroit bien ventilé
 - ▶ Éviter le contact prolongé avec la poussière
 - ▶ Faire en sorte que la poussière soit dirigée loin du visage et du corps
 - ▶ Porter des vêtements de protection et laver les zones exposées à l'eau et au savon
- ▶ Faire régulièrement des pauses et des exercices pour favoriser l'irrigation sanguine dans les doigts. En cas de travaux prolongés, les fortes vibrations peuvent perturber la circulation dans les vaisseaux sanguins ou le système nerveux dans les doigts, les mains ou le poignet.

Sécurité relative au système électrique

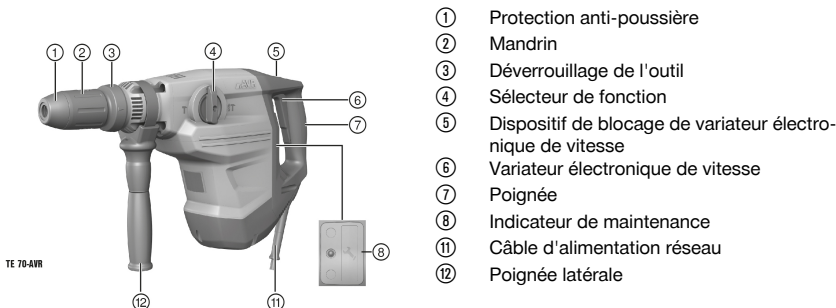
- ▶ Avant d'entamer le travail, vérifier qu'il n'y a pas de câbles ou gaines électriques, tuyaux de gaz ou d'eau cachés dans la zone d'intervention. Les parties métalliques externes du produit peuvent provoquer un choc électrique ou une explosion si vous endommagez une ligne électrique, une conduite de gaz ou une conduite d'eau.

Utilisation et emploi soigneux de l'outil électroportatif

- ▶ Arrêter immédiatement le produit si l'outil amovible se bloque. Le produit peut dévier latéralement.
- ▶ Attendre l'arrêt complet du produit avant de le déposer.

3 Description

3.1 Vue d'ensemble du produit 1



3.2 Utilisation conforme à l'usage prévu

Le produit décrit est un perforateur-burineur électrique équipé d'un mécanisme de frappe électropneumatique. Il est destiné aux travaux de perçage dans le béton, la maçonnerie, le métal et le bois. Le produit peut également être utilisé pour les travaux de burinage légers et moyens sur maçonnerie et pour les retouches sur béton.

- ▶ L'appareil ne doit fonctionner qu'avec la tension réseau et la fréquence réseau indiquées sur la plaque signalétique.

3.3 Option AVR

Le produit peut ensuite être équipé en option d'un système Active Vibration Reduction (AVR), qui réduit sensiblement les vibrations.

3.4 Indicateur de maintenance

Le produit est équipé d'un indicateur de maintenance avec témoin lumineux.



3.4.1 Indicateur de maintenance État

État	Signification
L'indicateur de maintenance s'allume en rouge.	La durée de fonctionnement pour une maintenance est atteinte.
L'indicateur de maintenance clignote en rouge.	Faire réparer le perforateur-burineur par le S.A.V. Hilti .

3.5 Éléments fournis

Perforateur-burineur, poignée latérale, mode d'emploi.

D'autres produits système autorisés pour votre produit peuvent être obtenus auprès de **Hilti Store** ou sous : www.hilti.group | États-Unis : www.hilti.com

4 Caractéristiques techniques



Les données de tension nominale, courant nominal, fréquence et / ou consommation nominale figurent sur la plaque signalétique spécifique au pays.

En cas d'utilisation avec un groupe électrogène ou un transformateur, leur puissance d'alimentation doit être au moins égale au double de la puissance indiquée sur la plaque signalétique de l'appareil. La tension de service du groupe électrogène ou du transformateur doit être toujours comprise entre +5 % et -15 % par rapport à la tension nominale de l'appareil.

	TE 70-AVR
Poids selon la procédure EPTA 01	8,3 kg
Énergie libérée par coup selon la procédure EPTA 05	11,5 J
Ø Mèche de forage	12 mm ... 55 mm
Ø Mèche à bois	10 mm ... 32 mm
Ø Mèche à métaux	0 mm ... 20 mm

4.1 Valeurs de bruit et de vibrations selon EN 62841

Les valeurs de pression acoustique et de vibrations mentionnées dans ces instructions ont été mesurées conformément à un procédé de mesure normalisé et peuvent être utilisées comme base de comparaison d'outils électroportatifs. Elles sont de plus adaptées à une évaluation préalable de l'exposition aux bruits et aux vibrations.

Les indications fournies correspondent aux principales applications de l'outil électroportatif. Ces données peuvent néanmoins différer si l'outil électroportatif est utilisé pour d'autres applications ou avec des outils coupants différents, ou bien si l'entretien s'avère insuffisant. Dans ce cas, les expositions peuvent augmenter nettement dans tout l'espace de travail.

Pour une évaluation précise des expositions, il convient également de prendre en compte les temps durant lesquels l'outil électroportatif est arrêté ou marche à vide. Cela peut réduire considérablement les contraintes d'exposition dans tout l'espace de travail.

Par ailleurs, il convient de prendre des mesures de sécurité supplémentaires en vue de protéger l'opérateur des effets du bruit ou des vibrations, par exemple : entretien de l'outil électroportatif et des outils de coupe, maintien des mains à bonne température, organisation des processus de travail.

Valeurs d'émissions sonores

	TE 70-AVR
Niveau de puissance acoustique (L_{WA})	113 dB(A)
Incertitude sur le niveau de puissance acoustique (K_{WA})	3 dB(A)
Niveau de pression acoustique d'émission (L_{pA})	99 dB(A)
Incertitude sur le niveau de pression acoustique (K_{pA})	3 dB(A)



Valeurs totales des vibrations

	TE 70-AVR
Perçage avec percussion dans le béton ($a_{h, HD}$)	10,8 m/s ²
Burinage ($a_{h, Cheq}$)	9 m/s ²
Incertitude (K)	1,5 m/s ²

5 Utilisation**5.1 Montage de la poignée latérale 2****⚠ ATTENTION**

Risque de blessures Perte de contrôle sur le produit.

- ▶ S'assurer que la poignée latérale est bien montée et correctement serrée. Veiller à ce que le collier de serrage soit dans l'écrou prévu à cet effet sur le produit.
- ▶ Monter la poignée latérale.

5.2 Mise en place/Retrait de l'outil amovible 3

L'utilisation d'une graisse non appropriée peut engendrer des dommages sur l'appareil. **Utiliser exclusivement de la graisse d'origine Hilti d'origine.**

Avant chaque utilisation, vérifier que l'outil n'est pas endommagé et qu'il ne présente pas d'usure irrégulière et, le cas échéant, le remplacer.

- ▶ Mettre l'outil en place resp. retirer l'outil.

5.3 Perçage sans percussion 4

Le perçage sans percussion est possible avec des outils pourvus d'un emmanchement spécial. De tels outils sont disponibles dans la gamme d'outils **Hilti**.

Le mandrin auto-serrant permet par exemple d'insérer une mèche à bois ou pour acier avec queue cylindrique et de percer sans percussion.

- ▶ Tourner le sélecteur de fonction sur la position "Perçage avec percussion"

5.4 Perçage avec percussion 4

- ▶ Tourner le sélecteur de fonction sur la position "Perçage avec percussion"

5.5 Positionnement du burin 4**⚠ ATTENTION**

Risque de blessures ! Perte de contrôle du sens de burinage.

- ▶ Ne pas travailler avec le sélecteur sur la position "Positionnement du burin". Tourner le sélecteur de fonction sur la position "Burinage", jusqu'à ce qu'il s'encliquette.



Le burin peut être bloqué dans 24 positions différentes (tous les 15°). Ainsi, que ce soit pour le burinage plat ou profilé, il est toujours possible de travailler dans la position optimale.

- ▶ Tourner le sélecteur de fonction sur la position "Positionnement du burin"

5.6 Burinage 4

- ▶ Tourner le sélecteur de fonction sur la position "Burinage"



5.7 Dispositif de blocage de variateur électronique de vitesse



En mode burinage, le variateur électronique de vitesse peut être bloqué à l'état activé.

- ▶ Actionner le dispositif de blocage de variateur électronique de vitesse.

6 Nettoyage et entretien



AVERTISSEMENT

Danger d'électrocution ! Les travaux de nettoyage et d'entretien effectués avec fiche branchée à la prise peuvent entraîner de graves blessures ou brûlures.

- ▶ Toujours retirer la fiche de la prise avant tous travaux de nettoyage et d'entretien !

Nettoyage

- Éliminer prudemment les saletés récalcitrantes.
- Nettoyer les ouïes d'aération avec précaution au moyen d'une brosse sèche.
- Nettoyer le boîtier uniquement avec un chiffon légèrement humidifié. Ne pas utiliser de nettoyeurs à base de silicone, ceci pourrait attaquer les pièces en plastique.

Entretien



AVERTISSEMENT

Risque d'électrocution ! Des réparations inappropriées sur des composants électriques peuvent entraîner de graves blessures corporelles et brûlures.

- ▶ Toute réparation des pièces électriques ne doit être effectuée que par un électricien qualifié.
- Vérifier régulièrement qu'aucune pièce visible n'est endommagée et que les organes de commande sont parfaitement opérationnels.
- En cas d'endommagements et/ou de dysfonctionnements, ne pas utiliser le produit. Le faire immédiatement réparer par le S.A.V. **Hilti**.
- Après des travaux de nettoyage et d'entretien, vérifier si tous les équipements de protection sont bien en place et fonctionnent parfaitement.



Pour une utilisation en toute sécurité, utiliser uniquement des pièces de rechange et consommables d'origine. Vous trouverez les pièces de rechange, consommables et accessoires autorisés convenant pour votre produit dans le centre **Hilti Store** ou sous : www.hilti.group.

7 Transport et entreposage

- Ne pas transporter l'appareil électrique avec un outil monté.
- Toujours stocker l'appareil électrique avec la fiche secteur débranchée de la prise.
- Sécher l'appareil et le stocker hors de portée des enfants et des personnes non autorisées.
- Après un transport ou stockage prolongé de l'appareil électrique, toujours vérifier qu'il n'est pas endommagé avant de l'utiliser.

8 Aide au dépannage

En cas de défaillances non énumérées dans ce tableau ou auxquelles il n'est pas possible de remédier sans aide, contacter le S.A.V. **Hilti**.

8.1 Guide de dépannage

Défaillance	Causes possibles	Solution
Le perceur-burineur ne se met pas en marche.	L'alimentation réseau est coupée.	▶ Brancher un autre appareil électrique et vérifier s'il fonctionne.



Défaillance	Causes possibles	Solution
Le perceur-burineur ne se met pas en marche.	Générateur en mode Veille.	► Charger le générateur avec un second consommateur (p. ex. lampe de chantier). Puis arrêter puis remettre en marche l'appareil.
	Le dispositif de verrouillage anti-démarrage électronique après une coupure d'alimentation électrique est activé.	► Arrêter puis remettre en marche l'appareil.
	Balais usés.	► Faire vérifier par un électricien et, si nécessaire, remplacer.
Absence de percussion.	L'appareil est trop froid.	► Poser le perceur-burineur sur le matériau support et le laisser tourner à vide. Répéter si nécessaire jusqu'à ce que le mécanisme de frappe fonctionne.
Le perceur-burineur n'atteint pas la pleine puissance.	Câble de rallonge trop long et / ou de section insuffisante.	► Utiliser des câbles de rallonge de longueur admissible et / ou de section suffisante.
	Le variateur électronique de vitesse n'est pas complètement enfoncé.	► Enfoncer le variateur électronique de vitesse jusqu'à la butée.
	L'alimentation électrique a une tension trop faible.	► Raccorder l'appareil à une autre source d'alimentation électrique.
La mèche ne tourne pas.	Sélecteur de fonction pas enclenché ou se trouvant sur la position "Burinage" ou la position "Positionnement du burin" .	► Mettre le sélecteur de fonction à l'arrêt sur la position "Perçage avec percussion" .
La mèche ne sort pas du dispositif de verrouillage.	Le porte-outil n'est pas complètement ouvert.	► Retirer le dispositif de verrouillage de l'outil jusqu'à la butée et sortir l'outil.
	La poignée latérale n'est pas montée correctement.	► Desserrer la poignée latérale et la monter correctement, afin que le collier de serrage et la poignée latérale s'enclenchent dans l'encoche.
L'indicateur de maintenance clignote en rouge.	Dommages sur l'appareil.	► Faire réparer le produit par le S.A.V. Hilti .
L'indicateur de maintenance s'allume en rouge.	Balais usés.	► Faire vérifier par un électricien et, si nécessaire, remplacer.

9 Recyclage

Les appareils **Hilti** sont fabriqués pour une grande partie en matériaux recyclables. Le recyclage présuppose un tri adéquat des matériaux. **Hilti** reprend les appareils usagés dans de nombreux pays en vue de leur recyclage. Consulter le service clients **Hilti** ou un conseiller commercial.



► Ne pas jeter les appareils électriques, électroniques et accus dans les ordures ménagères !

10 RoHS (directive relative à la limitation d'utilisation des substances dangereuses)

Vous trouverez sous les liens ci-dessous le tableau des substances dangereuses : qr.hilti.com/r1021413
 Vous trouverez à la fin de cette documentation, sous forme de code QR, un lien menant au tableau RoHS.



11 Garantie constructeur

- ▶ En cas de questions sur les conditions de garantie, veuillez vous adresser à votre partenaire **Hilti** local.

Original brugsanvisning

1 Om brugsanvisningen

1.1 Om denne brugsanvisning

- Læs brugsanvisningen grundigt igennem inden ibrugtagning. Det er en forudsætning for sikkert arbejde og korrekt håndtering.
- Følg sikkerhedsanvisningerne og advarslerne i denne brugsanvisning og på produktet.
- Opbevar altid brugsanvisningen sammen med produktet, og overdrag kun produktet til andre personer sammen med denne brugsanvisning.

1.2 Tegnforklaring

1.2.1 Advarsler

Advarsler advarer mod farer ved håndtering af produktet. Følgende signalord anvendes:

FARE

FARE !

- ▶ Betegner en umiddelbart truende fare, der kan medføre alvorlige kvæstelser eller døden.

ADVARSEL

ADVARSEL !

- ▶ Står ved en potentielt truende fare, der kan medføre alvorlige kvæstelser eller døden.





FORSIGTIG

FORSIGTIG !

- ▶ Advarer om en potentielt farlig situation, der kan forårsage personskader eller materielle skader.




1.2.2 Symboler i brugsanvisningen

Der benyttes følgende symboler i denne brugsanvisning:

	Se brugsanvisningen
	Anvisninger for anvendelse og andre nyttige oplysninger
	Håndtering af genvindbare materialer
	Elektriske maskiner og batterier må ikke bortskaffes som almindeligt husholdningsaffald

1.2.3 Symboler i illustrationer

Følgende symboler anvendes på illustrationer:

	Disse tal henviser til den pågældende illustration i begyndelsen af denne brugsanvisning.
3	Nummereringen i illustrationerne henviser til vigtige arbejdsstrin eller for arbejdsstrin til vigtige komponenter. I teksten fremhæves disse arbejdsstrin eller komponenter med tilhørende numre, f.eks. (3).
	Positionsnumre anvendes i illustrationen Oversigt og refererer til tallene i symbolforklaringen i afsnittet Produktoversigt .
	Dette symbol skal sikre skærpet opmærksomhed ved omgang med produktet.



1.3 Produktspecifikke symboler

1.3.1 Symboler på produktet

Følgende symboler anvendes på produktet:

	Boring med slagfunktion (hammerboring)
	Mejsling
	Placering af mejsel
	Kapslingsklasse II (dobbeltisoleret)
n_0	Nominelt omdrejningstal, ubelastet
/min	Omdrejninger pr. minut
RPM	Omdrejninger pr. minut
\emptyset	Diameter
	Vekselstrøm
	Produktet understøtter trådløs dataoverførsel, som er kompatibel med iOS- og Android-platforme.

1.4 Produktoplysninger

-produkter er beregnet til professionel brug og må kun betjenes, efterses og vedligeholdes af autoriseret og instrueret personale. Dette personale skal i særdeleshed informeres om de potentielle farer, der er forbundet med anvendelsen af denne maskine. Der kan opstå farlige situationer ved anvendelse af produktet og det tilhørende udstyr, hvis det anvendes af personer, der ikke er blevet undervist i dens brug, eller hvis det ikke anvendes korrekt i henhold til forskrifterne i denne brugsanvisning.

Typebetegnelse og serienummer fremgår af typeskiltet.

- Notér serienummeret i den efterfølgende tabel. Du skal bruge produktoplysningerne ved henvendelser til vores lokale afdeling eller vores serviceværksted.

Produktoplysninger

Kombihammer	TE 70-AVR
Generation	03
Serienummer	

1.5 Overensstemmelseserklæring

Vi erklærer som eneansvarlige, at det beskrevne produkt er i overensstemmelse med gældende direktiver og standarder. Sidst i dette dokument finder du et billede af overensstemmelseserklæringen.

Den tekniske dokumentation er arkiveret her:

Hilti Entwicklungsgesellschaft mbH | Zulassung Geräte | Hiltistraße 6 | 86916 Kaufering, DE

2 Sikkerhed

2.1 Generelle sikkerhedsanvisninger for elværktøj

⚠ ADVARSEL Læs alle sikkerhedsanvisninger, henvisninger, billedtekster og tekniske data på elværktøjet. Hvis følgende anvisninger ikke overholdes, er der risiko for elektrisk stød, brand og/eller alvorlige personskader.

Opbevar alle sikkerhedsanvisninger og instruktioner til senere brug.

Det benyttede begreb "elværktøj" i sikkerhedsanvisningerne refererer til elektriske maskiner (med netledning) eller batteridrevne maskiner (uden netledning).

Arbejdspladssikkerhed

- **Sørg for at holde arbejdsområdet ryddeligt og godt oplyst.** Uorden eller uoplyste arbejdsområder øger faren for uheld.



- ▶ **Brug ikke elværktøj i eksplosionstruede omgivelser, hvor der er brændbare væsker, gasser eller støv.** Elværktøj kan slå gnister, der kan antænde støv eller dampe.
- ▶ **Sørg for, at andre personer og ikke mindst børn holdes væk fra arbejdsområdet, når elværktøjet er i brug.** Hvis man distraheres, kan man miste kontrollen over maskinen.

Elektrisk sikkerhed

- ▶ **Elværktøjets stik skal passe til kontakten. Stikket må under ingen omstændigheder ændres. Brug ikke adapterstik sammen med jordforbundne elværktøj.** Uændrede stik, der passer til kontakterne, nedsætter risikoen for elektrisk stød.
- ▶ **Undgå kropskontakt med jordforbundne overflader som f.eks. rør, radiatorer, komfurer og køleskabe.** Hvis din krop er jordforbundet, øges risikoen for elektrisk stød.
- ▶ **Elværktøj må ikke udsættes for regn eller fugt.** Indtrængning af vand i elværktøj øger risikoen for elektrisk stød.
- ▶ **Brug ikke ledningen til formål, den ikke er beregnet til (f.eks. må man aldrig bære elværktøjet i ledningen, hænge det op i ledningen eller rykke i ledningen for at trække stikket ud af kontakten). Beskyt ledningen mod varme, olie, skarpe kanter eller dele, der er i bevægelse.** Beskadede eller sammenviklede ledninger øger risikoen for elektrisk stød.
- ▶ **Hvis elværktøjet benyttes i det fri, må der kun benyttes en forlængerledning, der er egnet til udendørs brug.** Brug af forlængerledning til udendørs brug nedsætter risikoen for elektrisk stød.
- ▶ **Hvis det ikke kan undgås at anvende elværktøjet i fugtige omgivelser, skal du anvende et fejlstrømsrelæ.** Anvendelsen af et fejlstrømsrelæ nedsætter risikoen for et elektrisk stød.

Personlig sikkerhed

- ▶ **Det er vigtigt at være opmærksom, se, hvad man laver, og bruge maskinen fornuftigt. Anvend aldrig elværktøj, hvis du er træt eller påvirket af stoffer, alkohol eller medicin.** Et øjeblik uopmærksomhed under brugen af elværktøjet kan medføre alvorlige personskader.
- ▶ **Brug beskyttelsesudstyr, og hav altid beskyttelsesbriller på.** Brug af sikkerhedsudstyr som f.eks. støvmaske, skridsikket fodtøj, beskyttelseshjelm eller høreværn afhængigt af elværktøjets type og anvendelse nedsætter risikoen for personskader.
- ▶ **Undgå utilsigtet igangsætning. Kontrollér, at elværktøjet er frakoblet, før du slutter det til strømforsyningen og/eller batteriet, tager det op eller transporterer det.** Undgå at bære elværktøjet med fingeren på afbryderen, og sørg for, at det ikke er tændt, når det slutes til nettet, da dette øger risikoen for personskader.
- ▶ **Fjern indstillingsværktøj eller skruenøgler, inden elværktøjet tændes.** Hvis et stykke værktøj eller en nøgle sidder i en roterende maskindel, er der risiko for personskader.
- ▶ **Undgå at arbejde i unormale kropstillinger. Sørg for at stå sikkert, mens der arbejdes, og kom ikke ud af balance.** Det er derved nemmere at kontrollere elværktøjet, hvis der skulle opstå uventede situationer.
- ▶ **Brug egnet arbejdstøj. Undgå løse beklædningsgenstande eller smykker. Hold hår, tøj og handsker væk fra dele, der bevæger sig.** Dele, der er i bevægelse, kan gribe fat i løstsiddende tøj, smykker eller langt hår.
- ▶ **Hvis støvudsugnings- og opsamlingsudstyr kan monteres, er det vigtigt, at dette tilsluttes og benyttes korrekt.** Ved at anvende en støvudsugning er det muligt at nedsætte risiciene som følge af støv.
- ▶ **Man må ikke ignorere sikkerhedsreglerne for elværktøj, heller ikke selvom man er fortrolig med brugen af elværktøjet.** Uagtsomhed kan medføre alvorlig tilskadekomst inden for få sekunder.

Anvendelse og pleje af elværktøjet

- ▶ **Undgå at overbelaste maskinen. Brug altid en maskine, der er beregnet til det stykke arbejde, der skal udføres.** Med det rigtige værktøj arbejder man bedst og mest sikkert inden for det angivne effektområde.
- ▶ **Brug ikke elværktøj, hvis afbryderen er defekt.** En maskine, der ikke kan startes og stoppes, er farlig og skal repareres.
- ▶ **Træk stikket ud af stikkontakten, og/eller fjern batteriet fra maskinen, inden du foretager indstillinger på den, skifter tilbehør og dele eller lægger den til side.** Disse sikkerhedsforanstaltninger forhindrer utilsigtet start af elværktøjet.
- ▶ **Opbevar ubenyttede elværktøjer uden for børns rækkevidde. Lad aldrig personer, der ikke er fortrolige med maskinen eller ikke har gennemlæst sikkerhedsanvisningerne, benytte denne.** Elværktøj er farligt, hvis det benyttes af ukyndige personer.
- ▶ **Sørg for at pleje elværktøj omhyggeligt. Kontrollér, om bevægelige dele fungerer korrekt og ikke sidder fast, og om delene er brækket eller beskadede, således at elværktøjets funktion påvirkes. Få beskadede dele repareret, inden elværktøjet tages i brug.** Mange uheld skyldes dårligt vedligeholdte elværktøjer.



- ▶ **Sørg for, at skæreværktøjer er skarpe og rene.** Omhyggeligt vedligeholdt skæreværktøjer med skarpe skærekanter sætter sig ikke så hurtigt fast og er nemmere at føre.
- ▶ **Anvend elværktøj, tilbehør, indsatsværktøj osv. i overensstemmelse med disse anvisninger.** Tag hensyn til arbejdsforholdene og det arbejde, der skal udføres. I tilfælde af anvendelse af maskinen til formål, som ligger uden for det fastsatte anvendelsesområde, kan der opstå farlige situationer.
- ▶ **Sørg for, at greb og gribeblader er tørre, rene og fri for olie og fedt.** Glatte greb og gribeblader gør betjeningen usikker, og det kan være svært at styre elværktøjet i uforudsete situationer.

Service

- ▶ **Sørg for, at elværktøjet kun reparerer af kvalificerede fagfolk, og at der altid benyttes originale reservedele.** Dermed sikres størst mulig elværktøjsikkerhed.

2.2 Sikkerhedsanvisninger for boremaskiner

Sikkerhedsanvisninger for alle opgaver

- ▶ **Brug hørevern ved slagboring.** Støjpåvirkningen kan medføre høretab.
- ▶ **Anvend ekstragrebet.** Hvis du mister kontrollen, kan det medføre personskader.
- ▶ **Hold elværktøjet i de isolerede håndtag, når du udfører opgaver, hvor indsatsværktøjet eller skruerne kan ramme skjulte elledninger eller maskinens netkabel.** Ved kontakt med en spændingsførende ledning kan også metalliske værktøjsdele sættes under spænding, hvilket kan medføre elektrisk stød.

Sikkerhedsanvisninger ved anvendelse af lange bor

- ▶ **Arbejd under ingen omstændigheder med et højere omdrejningstal end borets maksimalt tilladte omdrejningstal.** Ved højere omdrejningstal kan boret let blive bøjet, hvis det kan rotere frit uden kontakt med emnet, og medføre personskader.
- ▶ **Begynd altid borearbejdet med lavt omdrejningstal, og mens boret har kontakt med emnet.** Ved højere omdrejningstal kan boret let blive bøjet, hvis det kan rotere frit uden kontakt med emnet, og medføre personskader.
- ▶ **Udøv ikke et for højt tryk på boret og kun i borets længderetning.** Bor kan blive bøjet og ende med at brække eller medføre tab af kontrollen og resultere i personskader.

Sikkerhedsanvisninger ved anvendelse af røreværktøj og blandestave

- ▶ **Slå kun elværktøjet til eller fra, når røreværktøjet befinder sig i det materiale, som skal blandes.** I modsat fald kan det medføre tab af kontrollen og derved resultere i fare for personskader.

2.3 Yderligere sikkerhedsanvisninger for borehammer

Personlig sikkerhed

- ▶ Anvend kun produktet og tilbehør i teknisk fejlfri stand.
- ▶ Foretag aldrig manipulationer eller ændringer på produkt eller tilbehør.
- ▶ Brug de ekstrahåndgreb, som følger med produktet. Hvis du mister kontrollen, kan det medføre personskader.
- ▶ Ved gennembrydningsarbejde skal du huske at sikre området på den modsatte side. Nedbrydningsdele kan falde ud og/eller ned og volde skade på andre personer.
- ▶ Hold altid fast i produktet med begge hænder på de dertil beregnede håndtag. Sørg for, at håndgrebene er tørre og rene.
- ▶ Hold elværktøjet på de isolerede grebsflader, når du udfører opgaver, hvor indsatsværktøjet kan ramme skjulte strømledninger. Ved kontakt med en spændingsførende ledning kan også metalliske værktøjsdele sættes under spænding, hvilket kan medføre elektrisk stød.
- ▶ Undgå berøring af roterende dele - fare for personskader!
- ▶ Brug beskyttelsesbriller, beskyttelseshjelm, hørevern og et egnet åndedrætsværn under brugen af produktet.
- ▶ Brug beskyttelseshandsker, når du skifter værktøj. Berøring af indsatsværktøjet kan medføre snitsår og forbrændinger.
- ▶ Brug øjenværn. Splinterne fra materialet kan medføre skader på legeme og øjne.
- ▶ Støv, der dannes ved slibning, skæring og boring, kan indeholde farlige kemikalier. Nogle eksempler er: Bly eller maling på blybasis; Tegl, beton og andre murværksprodukter, natursten og andre silikatholdige produkter; Bestemte træsorter som eg, bøg og kemisk behandlet træ; Asbest eller asbestholdige materialer. Bestem eksponeringen for brugeren og omkringstående personer ved hjælp af fareklassen for de materialer, der arbejdes på. Træf de nødvendige foranstaltninger for at holde eksponeringen på et sikkert niveau, f.eks. ved at bruge et støvopsamlingsystem eller brug af et passende åndedrætsværn. Generelle foranstaltninger til at reducere eksponeringen omfatter bl.a.:
 - ▶ Arbejde i et godt ventileret område,



- ▶ Undgå længere tids kontakt med støv,
 - ▶ Lede støv bort fra ansigt og krop,
 - ▶ Bruge beskyttende beklædning og vaske eksponerede områder med vand og sæbe.
- ▶ Hold hyppigt pauser, og lav øvelser, så fingrene får bedre blodgennemstrømning. Ved længerevarende arbejde kan vibrationer medføre forstyrrelser af fingrenes, hændernes eller håndleddenes blodkar og nervesystem.

Elektrisk sikkerhed

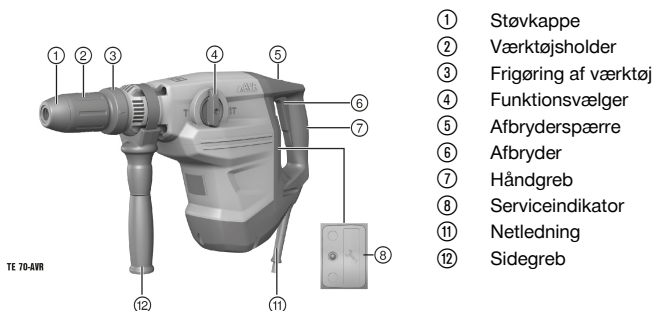
- ▶ Kontrollér før påbegyndelse af arbejdet arbejdsområdet for skjulte elektriske ledninger, gas- og vandrør, f.eks. med en metaldetektor. Udvendige metaldele på produktet kan medføre elektrisk stød eller forårsage en eksplosion, hvis du beskadiger en elledning, et gasrør eller et vandrør.

Omhyggelig omgang med og brug af elværktøj

- ▶ Sluk omgående produktet, hvis indsatsværktøjet blokeres. Produktet kan trække til siden.
- ▶ Vent, indtil produktet er standset helt, før du lægger det fra dig.

3 Beskrivelse

3.1 Produktoversigt



- ① Støvkappe
- ② Værktøjsholder
- ③ Frigøring af værktøj
- ④ Funktionsvælger
- ⑤ Afbryderspærre
- ⑥ Afbryder
- ⑦ Håndgreb
- ⑧ Serviceindikator
- ⑪ Netledning
- ⑫ Sidegreb

3.2 Bestemmelsesmæssig anvendelse

Det beskrevne produkt er en elektrisk kombihammer med pneumatisk slagmekanisme. Den er beregnet til boring i beton, murværk, træ og metal. Produktet kan desuden anvendes til lette og moderate mejselopgaver i murværk og til efterbearbejdning af beton.

- ▶ Maskinen må kun sluttes til den netspænding og -frekvens, som er angivet på typeskiltet.

3.3 Ekstratilbehør AVR

Produktet kan være forsynet med et Active Vibration Reduction (AVR)-system som ekstratilbehør, som reducerer vibrationerne markant.

3.4 Serviceindikator

Produktet er udstyret med en serviceindikator med lyssignal.

3.4.1 Tilstand, serviceindikator

Tilstand	Betydning
Serviceindikatoren lyser rødt.	Tidspunktet for service er nået.
Serviceindikatoren blinker rødt.	Få kombihammeren repareret af Hilti Service .

3.5 Leveringsomfang

Kombihammer, sidegreb, brugsanvisning.

Andre systemprodukter, som er godkendt til dit produkt, finder du i **Hilti Store** eller på: www.hilti.group | USA: www.hilti.com



4 Tekniske data



Nominal spænding, nominal strøm, frekvens og/eller nominelt strømforbrug fremgår af det landespecifikke typeskilt.

Ved drift med en generator eller transformator skal dennes udgangseffekt være mindst dobbelt så høj som det nominelle strømforbrug, der fremgår af maskinens typeskilt. Transformatorens eller generatorens driftsspænding skal til enhver tid ligge inden for +5 % og -15 % af maskinens nominelle spænding.

	TE 70-AVR
Vægt i henhold til EPTA-procedure 01	8,3 kg
Enkeltslagsenergi i overensstemmelse med EPTA-procedure 05	11,5 J
Ø Hammerbor	12 mm ... 55 mm
Ø Træbor	10 mm ... 32 mm
Ø Metalbor	0 mm ... 20 mm

4.1 Støjinformation og vibrationsværdier iht. EN 62841

Lydtryk- og vibrationsværdier i denne brugsanvisning er målt i henhold til en standardiseret målemetode og kan anvendes til sammenligning af forskellige elværktøjer. De kan også anvendes til en foreløbig vurdering af den eksponering, brugeren udsættes for.

De anførte data repræsenterer elværktøjets primære anvendelsesformål. Hvis elværktøjet imidlertid anvendes til andre formål, med andre indsatsværktøjer eller utilstrækkelig vedligeholdelse, kan dataene afvige. Dette kan forøge den eksponering, som brugeren udsættes for, i hele arbejdstiden markant.

For at opnå en præcis vurdering af den eksponering, som brugeren udsættes for, bør også den tid, hvor elværktøjet er slukket eller blot kører uden at blive anvendt, inddrages. Dette kan reducere den eksponering, som brugeren udsættes for, i hele arbejdstiden markant.

Fastlæg yderligere sikkerhedsforanstaltninger til beskyttelse af brugeren mod støj- og/eller vibrationspåvirkninger, f.eks. er det vigtigt at vedligeholde elværktøj og indsatsværktøj, at holde hænderne varme og at organisere arbejdsprocesserne.

Støjemissionsværdier

	TE 70-AVR
Lydeffektniveau (L_{WA})	113 dB(A)
Usikkerhed, lydeffektniveau (K_{WA})	3 dB(A)
Lydtrykniveau (L_{pA})	99 dB(A)
Usikkerhed, lydtrykniveau (K_{pA})	3 dB(A)

Samlede vibrationsværdier

	TE 70-AVR
Hammerboring i beton ($a_{h, HD}$)	10,8 m/s ²
Mejsling ($a_{h, Cheq}$)	9 m/s ²
Usikkerhed (K)	1,5 m/s ²

5 Betjening

5.1 Montering af sidegreb

FORSIGTIG

Fare for personskader Tab af kontrol over produktet.

► Kontrollér, at sidegrebet er monteret rigtigt og fastgjort korrekt. Kontrollér, at spændebåndet ligger i den dertil beregnede not på produktet.

► Monter sidegrebet.



5.2 Indsætning/udtagning af indsatsværktøj

Hvis der anvendes en fedttype, som ikke egner sig, kan det medføre skader på maskinen. **Anvend kun originalt fedt fra Hilti.**

Kontroller værktøjet for skader og ujævn slitage før hver ibrugtagning, og udskift det om nødvendigt.

- ▶ Indsæt værktøjet/tag værktøjet ud.

5.3 Boring uden slagfunktion

Boring uden slagfunktion er muligt med værktøj med særlig indstiksende. **Hiltis værktøjsprogram** omfatter sådanne værktøjer.

Med den selvspændende borepatron er det eksempelvis muligt at fastspænde træbor eller stålbor med cylindrisk skaft og bore uden slagfunktion.

- ▶ Sæt funktionsvælgeren på positionen "Hammerboring" .

5.4 Boring med slagfunktion (hammerboring)

- ▶ Sæt funktionsvælgeren på positionen "Hammerboring" .

5.5 Placering af mejsel

FORSIGTIG

Fare for personskader! Tab af kontrol over mejselretningen.

- ▶ Arbejd ikke i positionen "Placering af mejsel". Sæt funktionsvælgeren på positionen "Mejsling".

Mejslen kan låses i 24 forskellige positioner (i trin på 15°). Dette gør, at man med flad- og formmejsler altid kan arbejde i den korrekte arbejdsstilling.

- ▶ Sæt funktionsvælgeren på positionen "Placering af mejsel" .

5.6 Mejsling

- ▶ Sæt funktionsvælgeren på positionen "Mejsling" .

5.7 Afbryderspærre

Under mejslingen kan du låse afbryderen, mens maskinen er i gang.

- ▶ Tryk på afbryderspærren.

6 Rengøring og vedligeholdelse

ADVARSEL

Fare på grund af elektrisk stød! Pleje og vedligeholdelse med isat netstik kan medføre alvorlige personskader og forbrændinger.

- ▶ Træk altid netstikket ud før alle pleje- og vedligeholdelsesarbejder!

Pleje

- Fjern forsigtigt fastsiddende snavs.
- Rengør forsigtigt ventilationsåbningerne med en tør børste.
- Rengør kun kabinettet med en let fugtet klud. Undlad at anvende silikoneholdige plejemidler, da de kan angribe plastdelene.



Vedligeholdelse

ADVARSEL

Fare for elektrisk stød! Fagmæssigt ukorrekte reparationer på elektriske dele kan medføre alvorlige personskader og forbrændinger.

► Reparationer på eldelene må kun udføres af en elektriker.

- Kontrollér regelmæssigt alle synlige dele for skader, og at betjeningselementerne fungerer fejlfrit.
- Anvend ikke produktet i tilfælde af beskadigelse og/eller funktionsfejl. Få omgående udført reparation hos **Hilti Service**.
- Monter alle beskyttelsesanordninger efter pleje- og vedligeholdelsesarbejder, og kontrollér dem for funktion.



Anvend kun originale reservedele og forbrugsmaterialer af hensyn til en sikker drift. Reservedele, forbrugsmaterialer og tilbehør til dit produkt, som vi har godkendt, finder du i dit **Hilti Store Center** eller under: www.hilti.group.

7 Transport og opbevaring

- Transportér ikke elværktøj med isat værktøj.
- Opbevar altid elværktøj med netstikket trukket ud.
- Opbevar maskinen tørt og utilgængeligt for børn og uvedkommende personer.
- Efter længerevarende transport eller opbevaring skal elværktøjet kontrolleres for skader før ibrugtagning.

8 Fejlafhjælpning

Ved fejl, som ikke fremgår af denne tabel, eller som du ikke selv kan afhjælpe, beder vi dig om at kontakte **Hilti Service**.

8.1 Fejlsøgning

Fejl	Mulig årsag	Løsning
Kombihammeren starter ikke.	Elforsyningen er afbrudt.	► Tilslut en anden elektrisk maskine, og kontrollér dennes funktion.
	Generatoren er i Sleep Mode.	► Belast generatoren med endnu en forbruger (f.eks. en arbejds-lampe). Sluk derefter maskinen, og tænd den igen.
	Den elektroniske startspærre efter en strømafbrydelse er aktiveret.	► Sluk maskinen, og tænd den igen.
	Kullene er slidte.	► Lad en elektriker kontrollere og om nødvendigt udskifte afbryderen.
Ingen slagfunktion.	Maskine for kold.	► Sæt kombihammeren på underlaget og lade den køre i tomgang. Gentag om nødvendigt proceduren, indtil slagmekanismen arbejder.
Kombihammeren har ikke fuld ydelse.	Forlængerledning for lang og / eller med for lille tværsnit.	► Anvend en forlængerledning med godkendt længde og / eller med tilstrækkeligt tværsnit.
	Afbryderen er ikke trykket helt ind.	► Tryk afbryderen helt i bund.
	Strømforsyningen har en for lav spænding.	► Slut maskinen til en anden strømforsyning.
Boret drejer ikke.	Funktionsvælger er ikke gået i indgreb eller befinder sig i positionen "Mejsling" T eller i positionen "Placering af mejsel" ↺ .	► Anbring funktionsvælgeren i stillingen "Hammerboring" HT , mens maskinen er standset.



Fejl	Mulig årsag	Løsning
Boret kan ikke frigøres.	Værktøjsholderen er ikke trukket helt tilbage.	▶ Træk værktøjslåsen helt tilbage, og tag værktøjet ud.
	Sidegrebet er ikke rigtigt monteret.	▶ Løsn sidegrebet, og monter det korrekt, så spændebåndet og sidegrebet er i indgreb i fordybningen.
Serviceindikatoren blinker rødt.	Skade på maskinen.	▶ Få produktet repareret af Hilti Service .
Serviceindikatoren lyser rødt.	Kullene er slidte.	▶ Lad en elektriker kontrollere og om nødvendigt udskifte afbryderen.

9 Bortskaffelse

Størstedelen af de materialer, som anvendes ved fremstillingen af **Hilti**-produkter, kan genvindes. Materialerne skal sorteres, før de kan genvindes. I mange lande modtager **Hilti** dine udtjente maskiner med henblik på genvinding. Spørg **Hilti** kundeservice eller din forhandler.



- ▶ Elværktøj, elektriske maskiner og batterier må ikke bortskaffes sammen med almindeligt husholdningsaffald!

10 RoHS (direktiv til begrænsning af anvendelsen af farlige stoffer)

Under følgende links finder du tabellen med farlige stoffer: qr.hilti.com/r1021413

Et link til RoHS-tabellen finder du i slutningen af denne dokumentation som QR-kode.

11 Producentgaranti

- ▶ Hvis du har spørgsmål vedrørende garantibetingelserne, bedes du henvende dig til din lokale **Hilti**-partner.

Originalbrugsanvisning

1 Anvisningar om bruksanvisning

1.1 Om denna bruksanvisning

- Läs noga igenom den här bruksanvisningen innan du använder verktyget. Det är en förutsättning för säkert arbete och problemfri hantering.
- Observera de säkerhets- och varningsanvisningar som du hittar i denna bruksanvisning och på produkten.
- Förvara alltid bruksanvisningen tillsammans med produkten och överlämna aldrig produkten till någon annan utan att bifoga den.

1.2 Teckenförklaring

1.2.1 Varningar

Varningarna är till för att varna för risker i samband med användning av produkten. Följande riskindikeringar används:



FARA !

- ▶ Anger överhängande risker som kan leda till svåra personskador eller dödsolycka.



⚠ VARNING

VARNING !

- ▶ Anger potentiella risker som kan leda till svåra personskador eller dödsfall.

⚠ FÖRSIKTIGHET

FÖRSIKTIGHET !

- ▶ Används för att uppmärksamma om en potentiell risksituation som kan leda till skador på person eller utrustning.

1.2.2 Symboler i bruksanvisningen

I den här bruksanvisningen används följande symboler:

	Observera bruksanvisningen
	Anmärkningar och annan praktisk information
	Hantering av återvinningsbara material
	Elverktyg och batterier får inte kastas i hushållssoporna

1.2.3 Symboler i bilderna

Följande symboler används i bilder:

	Dessa siffror hänvisar till motsvarande bild i början av bruksanvisningen.
3	Numreringen i bilderna hänvisar till viktiga arbetsmoment eller viktiga komponenter för arbetsmomenten. I texten framhävs dessa arbetsmoment eller komponenter med motsvarande nummer, t.ex. (3) .
	I bilden Översikt används positionsnummer och hänvisar till siffrorna i teckenförklaringen i avsnittet Produktöversikt .
	Det här tecknet är till för att du ska vara extra uppmärksam på något som gäller hur du hanterar produkten.

1.3 Produktberoende symboler

1.3.1 Symboler på produkten

Följande övriga symboler används på produkten:

	Borring med slag (hammarborring)
	Mejsling
	Mejselpositionering
	Skyddstyp II (dubbelisolerad)
n_0	Nominellt varvtal, obelastat
/min	Varv per minut
RPM	Varv per minut
\emptyset	Diameter
	Växelström
	Produkten stöder trådlös dataöverföring som är kompatibel med iOS- och Android-plattformar.



1.4 Produktinformation

HILTI-produkter är avsedda för professionella användare och får endast användas, underhållas och repareras av auktoriserad, utbildad personal. Personalen måste vara särskilt informerad om de risker som finns. Produkten och dess tillbehör kan utgöra en risk om den används på ett felaktigt sätt av utbildad personal eller inte används enligt föreskrifterna.

Typbeteckning och serienummer anges på typskylten.

- ▶ Använd de serienummer som anges i följande tabell. Du behöver produktuppgifterna när du kontaktar vår återförsäljare eller serviceverkstad.

Produktdetaljer

Kombihammare	TE 70-AVR
Generation	03
Serienr	

1.5 Försäkringen om överensstämmelse

Vi försäkras på eget ansvar att den produkt som beskrivs här överensstämmer med gällande direktiv och standarder. En bild på försäkringen om överensstämmelse hittar du i slutet av dokumentationen.

Den tekniska dokumentationen finns sparad här:

Hilti Entwicklungsgesellschaft mbH | Zulassung Geräte | Hiltistraße 6 | 86916 Kaufering, Tyskland

2 Säkerhet

2.1 Allmänna säkerhetsföreskrifter för elverktyg

⚠ VARNING Läs noga igenom alla säkerhetsföreskrifter, anvisningar, avbildningar och tekniska data som medföljer detta elverktyg. Om nedanstående anvisningar inte följs, finns risk för elektriska stötar, brand och/eller svåra skador.

Förvara alla säkerhetsföreskrifter och anvisningarna på ett säkert ställe för framtida användning.

Begreppet "elverktyg" som används i säkerhetsföreskrifterna avser nätdrivna elverktyg (med nätkabel) och batteridrivna elverktyg (sladdlösa).

Säker arbetsmiljö

- ▶ **Håll arbetsområdet rent och väl belyst.** Oordning eller bristfällig belysning på arbetsplatsen kan leda till olyckor.
- ▶ **Arbeta inte med elverktyget i omgivning med explosionsrisk där det finns brännbara vätskor, gaser eller damm.** Elverktyg alstrar gnistor som kan antända dammet eller gaserna.
- ▶ **Håll barn och obehöriga personer på betryggande avstånd under arbetet med elverktyget.** Om du störs av obehöriga personer kan du förlora kontrollen över verktyget.

Elsäkerhet

- ▶ **Elverktygets elkontakt måste passa till vägguttaget. Elkontakten får absolut inte ändras. Använd inte adapterkontakter tillsammans med skyddsjordade elverktyg.** Originalkontakter och lämpliga vägguttag minskar risken för elstötar.
- ▶ **Undvik kroppskontakt med jordade ytor som rör, värmeelement, spisar och kylskåp.** Det finns en större risk för elstötar om din kropp är jordad.
- ▶ **Skydda elverktyget från regn och väta.** Tränger vatten in i ett elverktyg ökar risken för elstötar.
- ▶ **Använd inte anslutningskabeln på ett felaktigt sätt, t.ex. genom att bära eller hänga upp elverktyget i den eller dra i den för att lossa elkontakten ur vägguttaget. Håll anslutningskabeln på avstånd från värmekällor, olja, vassa kanter och rörliga delar.** Skadade eller tilltrasslade anslutningskablar ökar risken för elstötar.
- ▶ **När du arbetar med ett elverktyg utomhus, använd endast förlängningskablar som är avsedda för utomhusbruk.** Genom att använda en lämplig förlängningskabel för utomhusbruk minskar du risken för elstötar.
- ▶ **Om det är alldeles nödvändigt att använda verktyget i fuktig miljö ska du använda en jordfelsbrytare.** Användning av jordfelsbrytare minskar risken för elstötar.

Personsäkerhet

- ▶ **Var uppmärksam, ha uppsikt över vad du gör och använd elverktyget med förnuft. Använd aldrig elverktyg om du är trött eller påverkad av droger, alkohol eller medicin.** En kort sekund av bristande uppmärksamhet när du arbetar med ett elverktyg kan leda till att du skadar dig själv eller någon annan svårt.



- ▶ **Bär alltid personlig skyddsutrustning och skyddsglasögon.** Genom att använda personlig skyddsutrustning som t.ex. dammskyddsmask, halkfria säkerhetsskor, hjälm eller hörselskydd, beroende på vilket elverktyg du använder och till vad, minskar du risken för kroppsskada.
- ▶ **Undvik oavsiktlig igångsättning. Se till att elverktyget är fränkopplat innan du ansluter det till nätströmmen och/eller batteriet, tar upp det eller bär det.** Om du bär elverktyget med fingret på strömbrytaren eller ansluter ett tillkopplat verktyg till nätströmmen kan en olycka inträffa.
- ▶ **Ta bort alla inställningsverktyg och skruvnycklar innan du kopplar in verktyget.** Ett verktyg eller en nyckel i en roterande komponent kan leda till skador.
- ▶ **Undvik en onormal kroppshållning. Se till att du står stadigt och håller balansen.** Då kan du lättare kontrollera elverktyget i oväntade situationer.
- ▶ **Bär lämpliga kläder. Bär inte löst hängande kläder eller smycken. Håll håret, kläderna och händerna på avstånd från rörliga delar.** Löst hängande kläder, smycken och långt hår kan dras in av roterande delar.
- ▶ **När du använder elverktyg med anordningar för uppsugning och uppsamling av damm, bör du kontrollera att dessa anordningar är rätt monterade och används korrekt.** Används en dammsugare kan faror som orsakas av damm minskas.
- ▶ **Invagga dig inte i falsk säkerhet och strunta inte säkerhetsreglerna för elverktyg även om du har stor vana vid att arbeta med elverktyget.** Oförsiktig hantering kan leda till allvarliga skador inom bråkdelar av en sekund.

Användning och hantering av elverktyg

- ▶ **Överbelasta inte verktyget. Använd elverktyg som är avsedda för det aktuella arbetet.** Med ett lämpligt elverktyg kan du arbeta bättre och säkrare inom angivet effektområde.
- ▶ **Använd aldrig elverktyget om strömbrytaren är defekt.** Ett elverktyg som inte kan kopplas in eller ur är farligt och måste repareras.
- ▶ **Dra ut elkontakten ur uttaget och/eller ta i förekommande fall bort det löstagbara batteriet innan du gör inställningar, byter tillbehör eller lägger ifrån dig verktyget.** Denna skyddsåtgärd förhindrar att du eller någon annan råkar sätta igång elverktyget av misstag.
- ▶ **Förvara elverktyg oåtkomligt för barn. Verktyget får inte användas av personer som inte är barna eller inte har läst dessa anvisningar.** Elverktyg är farliga om de används av oerfarna personer.
- ▶ **Underhåll elverktygen och tillbehören noggrant. Kontrollera att rörliga komponenter fungerar felfritt och inte kärvar och att komponenter inte har brustit eller skadats så att elverktygets funktion påverkas negativt. Se till att skadade delar repareras innan verktyget används igen.** Många olyckor orsakas av dåligt skötta elverktyg.
- ▶ **Håll insatsverktygen skarpa och rena.** Omsorgsfullt skötta insatsverktyg med skarpa eggar kommer inte så lätt i kläm och går lättare att styra.
- ▶ **Använd elverktyg, tillbehör, insatsverktyg osv. enligt dessa anvisningar. Ta hänsyn till arbetsvillkoren och arbetsmomenten.** Används elverktyget på icke ändamålsenligt sätt kan farliga situationer uppstå.
- ▶ **Se till att handtaget och greppytorna är torra, rena och fria från olja och fett.** Med hala handtag och grippytor går det inte att hantera och kontrollera elverktyget säkert i oväntade situationer.

Service

- ▶ **Låt endast kvalificerad fackpersonal reparera elverktyget och använd då endast originalreservdelar.** Detta garanterar att elverktygets säkerhet upprätthålls.

2.2 Säkerhetsföreskrifter för bormaskiner

Säkerhetsanvisningar för alla arbeten

- ▶ **Använd alltid hörselskydd vid bormning med slag.** Buller kan leda till hörselskador.
- ▶ **Använd extrahandtaget.** Tappar du kontrollen över verktyget kan det leda till skador.
- ▶ **Håll i elverktygets isolerade greppytor vid arbeten där insatsverktyget eller skruvarna riskerar att stöta på dolda strömkablar eller den egna anslutningskabeln.** Vid kontakt med en spänningssatt ledning kan metalldelar på verktyget spänningssättas och ge dig en stöt.

Säkerhetsanvisningar vid användning av långa borr

- ▶ **Arbeta aldrig med högre varvtal än vad som är tillåtet för borret.** Om borret tillåts rotera utan kontakt med arbetsstycket kan det vid högre varvtal lätt komma att böjas, med åtföljande risk för personskador.
- ▶ **Börja alltid att borra med lågt varvtal och med borrarpeten i kontakt med arbetsstycket.** Om borret tillåts rotera utan kontakt med arbetsstycket kan det vid högre varvtal lätt komma att böjas, med åtföljande risk för personskador.



- ▶ **Använd inte för hårt tryck mot arbetsstycket och rikta trycket endast rakt i borrets längdriktning.** Följden kan annars bli att borret böjs så att det går sönder, eller att du tappar kontrollen över verktyget med risk för personskador.

Säkerhetsanvisningar vid användning av omrörare

- ▶ **Se alltid till att omröraren är nedsänkt i materialet som ska blandas när du slår på eller stänger av elverktyget.** I annat fall kan du förlora kontrollen så att det uppstår risk för personskada.

2.3 Ytterligare säkerhetsföreskrifter för borrhammare

Personsäkerhet

- ▶ Använd endast produkten och dess tillbehör om den är fullt funktionsduglig.
- ▶ Produkten eller dess tillbehör får inte byggas om eller ändras.
- ▶ Använd de extrahandtag som levereras tillsammans med produkten. Tappar du kontrollen över produkten kan det leda till skador.
- ▶ Vid genombrottsarbeten, tänk på att säkra området på motstående sida. Annars finns det risk för att det material som lossnar ramlar ner eller skjuter iväg och skadar människor i närheten.
- ▶ Håll alltid produkten i handtagen med båda händerna. Håll alltid handtaget torrt och rent.
- ▶ Håll i produktens isolerade greppytor när du utför arbeten där insatsverktyget riskerar att stöta på dolda elledningar. Vid kontakt med en spänningssatt ledning kan metalldelar på verktyget spänningssättas och ge dig en stöt.
- ▶ Rör inte vid roterande delar – risk för personskada!
- ▶ Använd alltid skyddsglasögon, skyddshjälm, hörselskydd och lämpligt andningsskydd när du använder produkten.
- ▶ Använd skyddshandskar vid verktygsbyte. Det finns risk för skär- och brännskador vid beröring av nyss använda insatsverktyg.
- ▶ Använd skyddsglasögon. Splitter kan skada oskyddade kroppsdelar och ögon.
- ▶ Damm som uppstår vid slipning, polering, kapning och borring kan innehålla farliga kemikalier. Exempel på sådana är: bly eller blybaserade färger, tegel, betong och andra murverksprodukter, natursten och andra produkter som innehåller silikat, Vissa träslag som ek och bok samt kemiskt behandlat trä, asbest eller material som innehåller asbest. Fastställ exponeringen för användaren och personer i närheten av arbetsområdet genom att kontrollera vilken riskklass det material som ska bearbetas tillhör. Vidta nödvändiga åtgärder för att hålla exponeringen på en säker nivå. Använd t.ex. ett dammuppsamlingsystem eller bär lämpligt andningsskydd. Allmänna åtgärder för att minska exponeringen är:
 - ▶ Arbeta i ett välventilerat utrymme,
 - ▶ Undvik längre kontakt med damm,
 - ▶ Led bort damm från ansiktet och kroppen,
 - ▶ Bär skyddskläder och tvätta exponerade områden med tvål och vatten.
- ▶ Ta ofta paus i arbetet och utför fingerövningar som ökar blodgenomströmningen i fingrarna. Vid långvarigt, ihållande arbete kan de starka vibrationerna ge besvär i blodkärl och nerver i fingrarna, händerna och handlederna.

Elektrisk säkerhet

- ▶ Undersök om det finns dolda el-, gas- och vattenledningar inom arbetsområdet innan du påbörjar arbetet. Utanpåliggande metalldelar på produkten kan orsaka elstöt eller explosion om du skadar en el-, gas- eller vattenledning.

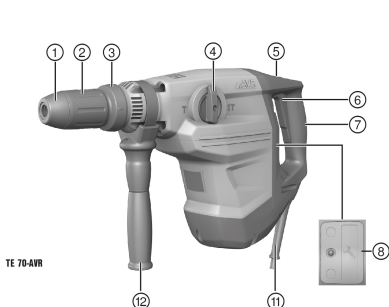
Omsorgsfull hantering och användning av elverktyg

- ▶ Stäng genast av produkten om insatsverktyget blockeras. Produkten kan vridas i sidled.
- ▶ Vänta tills produkten har stannat helt innan du lägger den ifrån dig.



3 Beskrivning

3.1 Produktöversikt



- ① Dammskydd
- ② Chuck
- ③ Chuckhylsa
- ④ Funktionsväljare
- ⑤ Strömbrytarspär
- ⑥ Strömbrytare
- ⑦ Handtag
- ⑧ Serviceindikator
- ⑪ Kabel
- ⑫ Sidohandtag

3.2 Avsedd användning

Den produkt som beskrivs här är en eldriven kombihammare med pneumatisk slagmekanism. Den är avsedd för borring i betong, tegel, trä och metall. Produkten kan även användas för lätta till medellätta mejslingsarbeten i tegel och efterarbeten i betong.

- Använd endast verktyget anslutet till huvudnät med spänning och frekvens som stämmer överens med uppgifterna på verktygets typskylt.

3.3 Tillvalsalternativ AVR

Produkten kan utrustas med tillvalssystemet Active Vibration Reduction (AVR) som minskar vibrationerna märkbart.

3.4 Serviceindikator

Produkten är utrustad med serviceindikering med ljussignal.

3.4.1 Serviceindikering

Status	Betydelse
Serviceindikatorn lyser rött.	Drifttiden för service har uppnåtts.
Serviceindikatorn blinkar rött.	Låt Hilti -service reparera kombihammaren.

3.5 Leveransinnehåll

Kombihammare, sidohandtag, bruksanvisning.

Dessutom finns fler systemprodukter för din produkt både i närmaste **Hilti Store** och på nätet: www.hilti.group | USA: www.hilti.com

4 Teknisk information

Märkspänning, märkström, frekvens och/eller märkeffekt finns angivet på den landsspecifika typskylten på ditt verktyg.

Om verktyget drivs via en generator eller transformator måste denna ha en uteffekt som är minst dubbelt så hög som den märkeffekt som finns angiven på verktygets typskylt. Transformatorns eller generatorns driftspänning måste alltid ligga inom +5 % och -15 % av verktygets märkspänning.

	TE 70-AVR
Vikt enligt EPTA-procedure 01	8,3 kg
Enkelslagsenergi enligt EPTA-direktivet 05	11,5 J



	TE 70-AVR
Ø Hammarborr	12 mm ... 55 mm
Ø Träborr	10 mm ... 32 mm
Ø Metallborr	0 mm ... 20 mm

4.1 Bullerinformation och vibrationsvärden enligt EN 62841

De ljudtrycks- och vibrationsvärden som anges i anvisningarna har uppmätts med en standardiserad mätmetod och kan användas för att jämföra olika elverktyg med varandra. De kan också användas för att göra en preliminär uppskattning av exponeringarna.

De angivna värdena representerar elverktygets huvudsakliga användning. När elverktyget begagnas inom andra områden, med andra insatsverktyg eller med otillräckligt underhåll, kan mätning ge avvikande värden. Det innebär att exponeringen under den totala arbetstiden kan ökas betydligt.

För att uppskattningen av exponeringarna ska bli exakt bör man också räkna in de tider då elverktyget är avstängt eller då det är påslaget men inte används. Det kan betydligt minska exponeringen under den totala arbetstiden.

Vidta även andra säkerhetsåtgärder för att skydda användaren mot effekterna av buller och vibrationer, exempelvis: underhåll av elverktyg och insatsverktyg, möjlighet att hålla händerna varma, välorganiserade arbetsförlopp.

Bullervärden

	TE 70-AVR
Ljudeffektnivå (L_{WA})	113 dB(A)
Osäkerhet ljudeffektnivå (K_{WA})	3 dB(A)
Ljudtrycksnivå (L_{pA})	99 dB(A)
Osäkerhet ljudtrycksnivå (K_{pA})	3 dB(A)

Sammanlagt vibrationsvärde

	TE 70-AVR
Hammarbörning i betong ($a_{h, HD}$)	10,8 m/s ²
Mejsling ($a_{h, Cheq}$)	9 m/s ²
Osäkerhet (K)	1,5 m/s ²

5 Användning

5.1 Montera sidohandtaget

FÖRSIKTIGHET

Risk för personskada Tappad kontroll över produkten.

- ▶ Kontrollera att sidohandtaget är korrekt monterat och ordentligt fastsatt. Se till att spännbandet ligger i det avsedda spåret på produkten.

- ▶ Montera sidohandtaget.

5.2 Skifta insatsverktyg




Användning av olämpligt fett kan orsaka skador på verktyget. **Använd endast originalfett från Hilti.** Kontrollera att verktyget inte uppvisar skador eller olikformigt slitage innan du använder det, och byt vid behov ut det.


- ▶ Sätt in eller ta ur verktyget.




5.3 Borring utan slag

 Borring utan slag kan utföras med verktyg som har en särskild insticksände. Sådana verktyg finns att beställa från **Hiltis** verktygsprogram.

Med snabbchucken kan till exempel träborr eller stålborr spännas fast med cylinderskaft och användas vid borring utan slag.

- ▶ Sätt funktionsväljaren i läget "hammarborring" 

5.4 Borring med slag (hammarborring)


- ▶ Sätt funktionsväljaren i läget "hammarborring" 

5.5 Mejselpositionering

FÖRSIKTIGHET

Risk för personskada! Förlust av kontrollen över mejslingsriktningen.

- ▶ Arbeta inte i läget för positionering av mejseln. Ställ funktionsväljaren i läget "mejsling" så att den snäpper fast där.


 Mejseln kan låsas fast i 24 olika lägen (ett steg per 15°). Därigenom kan man alltid hitta en optimal arbetsställning vid arbete med flat- eller formmejsel.

- ▶ Sätt funktionsväljaren i läget "mejselpositionering" 

5.6 Mejsling

- ▶ Ställ funktionsväljaren i läget "mejsling" 

5.7 Strömbrytarspär

 Medan mejslingen pågår kan du låsa fast strömbrytaren i intryckt läge.

- ▶ Använd strömbrytarspärren.

6 Skötsel och underhåll

VARNING

Risk för elstöt! Vid skötsel och underhåll finns risk för svåra person- och brännskador om elkontakten inte dras ur.

- ▶ Dra alltid ur elkontakten före skötsel- och underhållsarbete.

Skötsel

- Ta försiktigt bort smuts som fastnat på laddaren.
- Rengör ventilationsspringorna försiktigt med en torr borste.
- Rengör höljet med en lätt fuktad trasa. Använd inte rengöringsmedel med silikon, eftersom det kan skada plastdelarna.

Underhåll

VARNING

Risk för elstöt! Felaktigt utförda reparationer på elektriska delar kan leda till svåra skador och brännskador.

- ▶ Reparationer på de elektriska delarna får endast utföras av behörig fackman.
- Kontrollera regelbundet att inga synliga delar har skadats och att alla reglage fungerar som de ska.
- Använd inte produkten om den uppvisar skador eller funktionsstörningar. Skicka den direkt till **Hilti Service** för reparation.
- Efter att skötsel- och underhållsarbete utförts ska alla skyddsanordningar alltid monteras och kontrolleras.



i Använd endast originalreservdelar och förbrukningsmaterial för säker drift. Godkända reservdelar, förbrukningsmaterial och tillbehör till din produkt från oss hittar du i närmaste **Hilti Store** eller på: www.hilti.group.

7 Transport och förvaring

- Transportera inte elverktyget med monterat insatsverktyg.
- Förvara alltid elverktyget med nätsladden urdragen.
- Förvara verktyget torrt och utom räckhåll för barn och obehöriga personer.
- Kontrollera alltid att elverktyget inte uppvisar några skador innan du använder det första gången efter en längre tids transport eller förvaring.

8 Felsökning


Kontakta **Hilti Service** om det uppstår ett fel som inte finns med i den här tabellen eller som du inte lyckas åtgärda på egen hand.

8.1 Felsökning

Fel	Möjlig orsak	Lösning
Kombihammaren startar inte.	Strömförsörjningen är bruten.	► Koppla in ett annat elverktyg och se om det fungerar.
	Generatoren i viloläge.	► Belasta generatoren med ett andra belastningsobjekt (t.ex. en byggglampa). Stäng sedan av verktyget och sätt på det igen.
	Den elektroniska startspärren efter strömavbrott har aktiverats.	► Stäng av verktyget och slå sedan på det igen.
	Kolborstarna är slitna.	► Kontrolleras av behörig och byts vid behov.
Inget slag.	Verktyget är för kallt.	► Placera kombihammaren mot underlaget och låt den gå på tomgång. Upprepa detta om så krävs, tills slagmekanismen kommer igång.
Kombihammaren har inte full effekt.	Förlängningskabeln är alltför lång och/eller har alltför liten area.	► Använd en förlängningskabel med tillåten längd och med tillräcklig area.
	Strömbrytaren är inte helt intryckt.	► Tryck in strömbrytaren till anslaget.
	Strömkällan har för låg spänning.	► Anslut verktyget till en annan strömkälla.
Borren roterar inte.	Funktionsväljaren står inte fullt ut i sitt läge eller så står den i läget "mejsling" T eller "mejselpositionering" → .	► Ställ funktionsväljaren i läget "Hammarborring" när verktyget är avstängt T .
Det går inte att ta ut borren ur chucken.	Chucken har inte skjutits tillbaka helt.	► Dra tillbaka chuckhylsan så långt det går och ta ut insatsverktyget.
	Sidohandtaget är ej korrekt monterat.	► Lossa sidohandtaget och montera det på korrekt sätt så att spännbandet och sidohandtaget hakar i fördjupningen.
Serviceindikatorn blinkar rött.	Verktyget är skadat.	► Låt Hilti-service reparera produkten.
Serviceindikatorn lyser rött.	Kolborstarna är slitna.	► Kontrolleras av behörig och byts vid behov.



9 Avfallshandtering

 **Hilti**-verktøy er till stor del tillverkede av återvinningsbara material. En förutsättning för återvinning är att materialen separeras på rätt sätt. I många länder kan du lämna in ditt uttjänta verktyg så att **Hilti** tar hand om det. Hör efter med **Hilti**s kundtjänst eller din kontaktperson.



- ▶ Kasta inte elverktyg, elektronisk apparatur och batterier i hushållssoporna.

10 RoHS (föreskrifter för begränsning av användningen av farliga ämnen)

Använd länkarna nedan för att komma till tabellen över farliga ämnen: qr.hilti.com/r1021413

En länk till RoHS-tabellen finns i slutet av den här dokumentationen som QR-kod.

11 Tillverkargaranti

- ▶ Vänd dig till din lokala **Hilti**-representant om du har frågor om garantivillkoren.

Original bruksanvisning

1 Informasjon om bruksanvisningen

1.1 Om denne bruksanvisningen

- Det er viktig at bruksanvisningen leses før produktet brukes for første gang. Dette er en forutsetning for sikkerhet under arbeidet og problemfri bruk.
- Følg sikkerhetsanvisningene og advarslene i denne bruksanvisningen og på produktet.
- Oppbevar alltid bruksanvisningen sammen med produktet, og sørg for at bruksanvisningen alltid følger med hvis produktet overtas av andre personer.

1.2 Symbolforklaring

1.2.1 Farehvisninger

Farehvisninger advarer mot farer under håndtering av produktet. Følgende signalord brukes:

FARE

FARE !

- ▶ For en umiddelbart truende fare som kan føre til alvorlige personskader eller død.

ADVARSEL

ADVARSEL !

- ▶ Varsler en mulig fare som kan føre til alvorlige personskader eller død.

FORSIKTIG

FORSIKTIG !

- ▶ Varsler om en mulig farlig situasjon som kan føre til personskade eller materiell skade.

1.2.2 Symboler i bruksanvisningen

Følgende symboler benyttes i denne bruksanvisningen:



Følg bruksanvisningen



Bruksanvisninger og andre nyttige opplysninger



Håndtering av resirkulerbare materialer



Ikke kast elektriske apparater eller batterier i husholdningsavfallet



1.2.3 Symboler i illustrasjoner

Følgende symboler brukes i illustrasjonene:

	Disse tallene viser til illustrasjonen i begynnelsen av denne bruksanvisningen.
3	Nummereringen i illustrasjoner henviser til viktige arbeidstrinn eller viktige komponenter for arbeidstrinnene. I teksten i blir disse arbeidstrinnene eller komponentene markert med tilhørende numre, f.eks. (3).
	Posisjonsnumrene brukes i illustrasjonen Oversikt og henviser til numrene på teksten i avsnittet Produktoversikt .
	Dette symbolet betyr at håndtering av produktet krever stor grad av oppmerksomhet.

1.3 Produktavhengige symboler

1.3.1 Symboler på produktet

Følgende symboler brukes på produktet:

	Boring med slag (hammerboring)
	Meisling
	Plassere meiselen
	Beskyttelsesklasse II (dobbeltisolert)
n_0	Nominelt tomgangsturtall
/min	Omdreining per minutt
RPM	Omdreining per minutt
\emptyset	Diameter
	Vekselstrøm
	Produktet støtter trådløs dataoverføring som er kompatibel med iOS- og Android-plattformer.

1.4 Produktinformasjon

HILTI-produkter er laget for profesjonell bruk og må kun brukes, vedlikeholdes og repareres av kyndig personale. Dette personalet må informeres om eventuelle farer som kan oppstå. Produktet og tilleggsutstyr kan utgjøre en fare hvis det betjenes av ukvalifisert personale eller det benyttes feil.

Typebetegnelse og serienummer står på typeskiltet.

- Skriv inn serienummeret i tabellen nedenfor. Du trenger produktspesifikasjonene ved henvendelser til Hiltis representant eller servicesenter.

Produktspesifikasjoner

Kombihammer	TE 70-AVR
Generasjon	03
Serienummer	

1.5 Samsvarserklæring

Vi erklærer herved at produktet som er beskrevet her, er i samsvar med gjeldende normer og direktiver. Du finner et bilde av samsvarserklæringen på slutten av denne dokumentasjonen.

Den tekniske dokumentasjonen er lagret her:

Hilti Entwicklungsgesellschaft mbH | Zulassung Geräte | Hiltistraße 6 | 86916 Kaufering, DE



2.1 Generelle sikkerhetsregler for elektroverktøy

⚠ ADVARSEL Les alle sikkerhetsanvisninger, instruksjer, illustrasjoner og tekniske data som elektroverktøyet er utstyrt med. Manglende overholdelse av anvisningene nedenfor kan medføre elektrisk støt, brann og/eller alvorlige personskader.

Overhold alle sikkerhetsanvisninger og instruksjoner i hele bruksperioden.

Begrepet "elektroverktøy" som er brukt i sikkerhetsanvisningene, viser til nettdrevne elektroverktøy (med nettkabel) eller til batteridrevne elektroverktøy (uten nettkabel).

Sikkerhet på arbeidsplassen

- ▶ **Hold arbeidsområdet rent og godt opplyst.** Rotete eller dårlig belyste arbeidsområder kan føre til ulykker.
- ▶ **Bruk ikke elektroverktøyet i eksplosjonsfarlige omgivelser hvor det befinner seg brennbare flytende stoffer, gasser eller støv.** Elektroverktøy lager gnister som kan antenne støv eller damp.
- ▶ **Hold barn og andre personer på sikker avstand mens elektroverktøyet brukes.** Hvis du blir forstyrret under arbeidet, kan du miste kontrollen over verktøyet.

Elektrisk sikkerhet

- ▶ **Elektroverktøyets støpsel må passe i stikkontakten. Støpselet må ikke forandres på noen som helst måte. Bruk ikke adapterkontakt på jordete elektroverktøy.** Uendrede støpsler og egnede stikkontakter minsker risikoen for elektrisk støt.
- ▶ **Unngå kroppskontakt med jordete overflater som rør, radiatorer, komfyrer eller kjøleskap.** Risikoen for elektriske støt er høyere når kroppen er jordet.
- ▶ **Hold elektroverktøyet unna regn og fuktighet.** Risikoen for elektrisk støt øker ved inntrenging av vann i et elektroverktøy.
- ▶ **Bruk ikke ledningen til å bære elektroverktøyet, henge det opp eller til å dra støpselet ut av stikkontakten. Hold ledningen unna varme, olje, skarpe kanter og deler som beveger seg.** Skadde eller sammenviklede ledninger øker risikoen for elektriske støt.
- ▶ **Bruk kun skjøteledninger som også er godkjent for utendørs bruk når du arbeider med et elektroverktøy utendørs.** Bruk av skjøteledning som er egnet til utendørs bruk, minsker risikoen for elektrisk støt.
- ▶ **Må elektroverktøyet brukes i fuktige omgivelser, er det nødvendig å bruke en jordfeilbryter.** Bruk av en jordfeilbryter reduserer risikoen for elektrisk støt.

Personsikkerhet

- ▶ **Vær oppmerksom, pass på hva du gjør, og gå fornuftig fram under arbeidet med et elektroverktøy. Ikke bruk elektroverktøy når du er trøtt eller påvirket av narkotika, alkohol eller medikamenter.** Et øyeblikks uoppmerksomhet ved bruk av elektroverktøyet kan være nok til å forårsake alvorlige personskader.
- ▶ **Bruk alltid personlig verneutstyr og vernebriller.** Bruk av personlig verneutstyr som støvmaske, sklislisikre vernesko, hjelm eller hørselsvern – avhengig av type og bruk av elektroverktøyet – reduserer risikoen for skader.
- ▶ **Unngå utilsiktet start. Forsikre deg om at elektroverktøyet er slått av før du setter i stikkontakten eller batteriet og før du løfter eller flytter elektroverktøyet.** Hvis du holder fingeren på bryteren når du bærer elektroverktøyet, eller kobler elektroverktøyet til strøm i innkoblet tilstand, kan dette føre til uhell.
- ▶ **Fjern justeringsverktøy og skrunøkkel før du slår på elektroverktøyet.** Et verktøy eller en nøkkel som befinner seg i en roterende maskindel, kan føre til skader.
- ▶ **Unngå uhensiktsmessige arbeidsposisjoner. Sørg for å stå stødig og i balanse.** Dermed kan du kontrollere elektroverktøyet bedre i uventede situasjoner.
- ▶ **Bruk egnede klær. Ikke bruk vide klær eller smykker. Hold hår, tøy og hansker unna deler som beveger seg.** Løstsittende tøy, smykker eller langt hår kan komme inn i deler som beveger seg.
- ▶ **Hvis det er montert støvavsugs- og oppsamlingsinnretninger, må det kontrolleres at disse er koblet til og blir brukt på riktig måte.** Bruk av støvavsug kan redusere faremomentene i forbindelse med støv.
- ▶ **Ikke føl deg for trygg og ikke bryt sikkerhetsreglene for elektroverktøy, heller ikke når du etter lang tids bruk er blitt fortrolig med elektroverktøyet.** Et øyeblikks uaktsomhet kan føre til alvorlige personskader.

Bruk og behandling av elektroverktøyet

- ▶ **Ikke overbelast verktøyet. Bruk et elektroverktøy som er beregnet til den type arbeid du vil utføre.** Med et passende elektroverktøy arbeider du bedre og sikrere i det angitte effektområdet.



- ▶ **Ikke bruk elektroverktøy med defekt bryter.** Et elektroverktøy som ikke lenger kan slås av eller på, er farlig og må repareres.
- ▶ **Dra ut støpselet fra stikkkontakten og/eller ta ut et uttakbart batteri før du foretar maskininnstillinger, bytter tilleggsgutstyr eller legger bort verktøyet.** Disse tiltakene forhindrer utilsikket start av elektroverktøyet.
- ▶ **Oppbevar elektroverktøy som ikke brukes, utenfor barns rekkevidde. La ikke personer som ikke er fortrolige med verktøyet eller ikke har lest disse instruksjonene, bruke verktøyet.** Elektroverktøy er farlige når de brukes av uerfarne personer.
- ▶ **Sørg for grundig stell og vedlikehold av elektroverktøyet med tilbehør. Kontroller at bevegelige deler på elektroverktøyet fungerer feilfritt og ikke klemmes fast, og at ingen deler er brukt eller skadet, slik at dette innvirker på elektroverktøyets funksjon. La skadde deler repareres før elektroverktøyet brukes.** Mange ulykker er et resultat av dårlig vedlikeholdte elektroverktøy.
- ▶ **Hold skjæreverktøy skarpe og rene.** Godt vedlikeholdte skjæreverktøy med skarpe skjærekanter blir sjeldnere fastklemt og er lettere å styre.
- ▶ **Bruk elektroverktøy, tilbehør, arbeidsverktøy osv. i overensstemmelse med denne anvisningen. Ta hensyn til arbeidsforholdene og arbeidet som skal utføres.** Bruk av elektroverktøy til andre formål enn det som er angitt, kan føre til farlige situasjoner.
- ▶ **Hold håndtak og gripeflater tørre, rene og frie for olje og fett.** Glatte håndtak og gripeflater gir ikke sikker betjening og kontroll av elektroverktøyet i uforutsette situasjoner.

Service

- ▶ **Elektroverktøyet må kun repareres av kvalifisert fagpersonale og kun med originale reservedeler.** Slik opprettholdes elektroverktøyets sikkerhet.

2.2 Sikkerhetsanvisninger for bormaskiner

Sikkerhetsanvisninger for alt arbeid

- ▶ **Bruk hørselsvern under slagboring.** Påvirkning av støy kan føre til hørselstap.
- ▶ **Bruk støtthåndtaket.** Tap av kontroll kan føre til personskader.
- ▶ **Hold elektroverktøyet i de isolerte håndtakene når du utfører arbeid der innsatsverktøyet eller skruene kan komme i kontakt med skjulte elektriske ledninger eller egen nettkabel.** Kontakt med en spenningsførende ledning kan også sette maskinens metaldeler under spenning og føre til elektrisk støt.

Sikkerhetsanvisninger ved bruk av lange bor

- ▶ **Arbeid aldri med høyere turtall enn det maksimalt tillatte turtallet for boret.** Ved høyere turtall kan boret lett bøyes når det kan rotere fritt uten kontakt med arbeidsemnet, og dette kan føre til personskader.
- ▶ **Begynn alltid å bore med lavt turtall og mens boret er i kontakt med arbeidsemnet.** Ved høyere turtall kan boret lett bøyes når det kan rotere fritt uten kontakt med arbeidsemnet, og dette kan føre til personskader.
- ▶ **Ikke trykk for hardt på boret, og trykk bare i lengderetningen i forhold til boret.** Bor kan bøyes og dermed brette eller føre til tap av kontroll og personskader.

Sikkerhetsanvisninger ved bruk av blandestaver og omrørere

- ▶ **Slå bare elektroverktøyet på eller av når blandestaven eller omrøreren befinner seg nedi materialet som skal blandes.** Ellers er det fare for tap av kontroll og dermed fare for personskader.

2.3 Ekstra sikkerhetsanvisninger for borhammer

Personsikkerhet

- ▶ Bruk produktet og tilbehøret bare i teknisk feilfri stand.
- ▶ Ikke foreta manipulering eller endring av produktet eller tilbehør.
- ▶ Bruk håndtakene som leveres med produktet. Tap av kontroll kan føre til personskader.
- ▶ Ved gjennombruddsarbeider må området på den andre siden sikres. Deler som brytes ut, kan falle ut og/eller ned og skade andre personer.
- ▶ Hold alltid maskinen fast med begge hender i håndtakene som er beregnet til formålet. Hold håndtakene tørre og rene.
- ▶ Hold produktet i de isolerte håndtakene når du utfører arbeid der verktøyet kan komme i kontakt med elektriske ledninger. Kontakt med en spenningsførende ledning kan også sette maskinens metaldeler under spenning og føre til elektrisk støt.
- ▶ Unngå å berøre de roterende delene. Fare for personskader!
- ▶ Benytt øyevern, hjelm, hørselsvern og en egnet støvmaske ved bruk av produktet.



- ▶ Bruk vernehansker ved skifte av verktøy. Berøring av innsatsverktøyet kan føre til kuttskader og forbrenninger.
- ▶ Bruk øyevern. Splintret materiale kan skade kroppen og øynene.
- ▶ Støv som oppstår ved sliping, smergling, kapping og boring kan inneholde farlige kjemikalier. Noen eksempler er: bly eller blybasert maling; tegl, betong og andre murverksprodukter, naturstein og andre silikatholdige produkter; bestemt tresorter, slik som eik, bøk og kjemisk behandlet trevirke; asbest eller asbestholdige materialer. Kartlegg hvor eksponert brukeren og personer i nærheten er ved hjelp av fareklassen til materialene som det arbeides med. Treff nødvendige tiltak for å holde eksponeringen på et trygt nivå, f.eks. ved å bruke et støvoppsamlingsystem eller egnet åndedrettsvern. Til de generelle tiltakene for å redusere eksponeringen hører:
 - ▶ arbeid i et godt ventilert område,
 - ▶ unngå langvarig kontakt med støv,
 - ▶ led bort støv fra ansikt og kropp,
 - ▶ bruk verneutstyr og vask eksponerte områder med vann og såpe.
- ▶ Ta hyppige pauser og gjør øvelser for å øke blodgjennomstrømningen i fingrene. Ved langvarig arbeid kan kraftige vibrasjoner føre til forstyrrelser i blodkar eller nervesystemet i fingre, hender eller håndledd.

Elektrisk sikkerhet

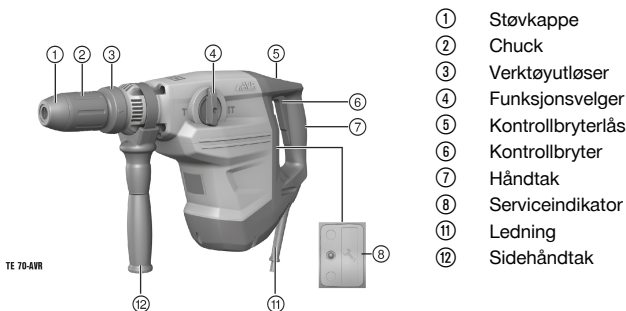
- ▶ Kontroller før arbeidet påbegynnes at det ikke finnes skjulte strømledninger, gass- eller vannrør i arbeidsområdet. Utvendige metalldeleer på produktet kan forårsake elektrisk støt eller en eksplosjon dersom du skader en strømlledning, et gass- eller vannrør.

Forsiktig behandling og bruk av elektroverktøy

- ▶ Slå produktet av umiddelbart hvis innsatsverktøyet setter seg fast. Produktet kan gli ut til siden.
- ▶ Vent til produktet har stanset helt før du legger det fra deg.

3 Beskrivelse

3.1 Produktoversikt



- ① Støvkappe
- ② Chuck
- ③ Verktøyutløser
- ④ Funksjonsvelger
- ⑤ Kontrollbryterlås
- ⑥ Kontrollbryter
- ⑦ Håndtak
- ⑧ Serviceindikator
- ⑪ Ledning
- ⑫ Sidehåndtak

3.2 Forskriftsmessig bruk

Det beskrevne produktet er en elektrisk drevet kombihammer med pneumatisk slagverk. Den er beregnet for boring i betong, mur, tre og metall. Produktet er også egnet til lett til middels meisling i mur og etterarbeid i betong.

- ▶ Bruk maskinen kun når den er knyttet til hovedledning med en spenning og frekvens som er i overensstemmelse med informasjonen på typeskiltet.

3.3 Ekstrautstyr AVR

Produktet kan som ekstrautstyr utstyres med et Active Vibration Reduction (AVR)-system som reduserer vibrasjonen merkbart.

3.4 Serviceindikator

Produktet er utstyrt med en serviceindikator med lyssignal.



3.4.1 Tilstand serviceindikator

Tilstand	Betydning
Serviceindikatoren lyser rødt.	Maskinens driftstid før en service er nådd.
Serviceindikatoren blinker rødt.	Få kombihammeren reparert av Hilti service.

3.5 Dette følger med:

kombihammer, sidehåndtak, bruksanvisning.

I tillegg finner du tillatte systemprodukter til produktet hos nærmeste **Hilti Store** eller under: www.hilti.group
 | USA: www.hilti.com

4 Tekniske data



Merkespenning, merkestrøm, frekvens og/eller nominell inngangseffekt står på typeskiltet for ditt land.

Ved drift med aggregat eller transformator må aggregatets eller transformatorens utgangseffekt være minst dobbelt så stor som den nominelle inngangseffekten som er oppgitt på maskinens typeskilt. Driftsspenningen til transformatoren eller aggregatet må alltid ligge innenfor +5 % og -15 % av merkespenningen for maskinen.

	TE 70-AVR
Vekt i henhold til EPTA-prosedyre 01	8,3 kg
Enkeltslagenergi i henhold til EPTA-prosedyre 05	11,5 J
Ø Hammerbor	12 mm ... 55 mm
Ø Trebor	10 mm ... 32 mm
Ø Metallbor	0 mm ... 20 mm

4.1 Støyinformasjon og vibrasjonsverdier iht. EN 62841

Lydtrykk- og vibrasjonsverdiene som er angitt i denne bruksanvisningen, er målt i samsvar med en normert målemetode og kan brukes til sammenligning av elektroverktøy. De egner seg også til en foreløpig vurdering av eksponeringene.

De angitte dataene representerer de viktigste bruksområdene for elektroverktøyet. Men hvis elektroverktøyet brukes til andre formål, med avvikende innsatsverktøy eller med utilstrekkelig vedlikehold, kan dataene avvike. Dette kan øke eksponeringene betraktelig gjennom hele arbeidsperioden.

For å få en nøyaktig vurdering av eksponeringene må man også ta hensyn til tidsrommene da elektroverktøyet er slått av eller er i gang, men ikke i bruk. Dette kan redusere eksponeringene betraktelig gjennom hele arbeidsperioden.

Fastsett ekstra sikkerhetstiltak for å beskytte operatøren mot effekten av støy og/eller vibrasjoner, for eksempel: Vedlikehold av elektroverktøy og innsatsverktøy, holde hendene varme, organisering av arbeidsprosesser.

Støyutslippsverdier

	TE 70-AVR
Lydeffektnivå (L_{WA})	113 dB(A)
Usikkerhet lydeffektnivå (K_{WA})	3 dB(A)
Avgitt lydtrykknivå (L_{pA})	99 dB(A)
Usikkerhet lydtrykknivå (K_{pA})	3 dB(A)

Totale vibrasjonsverdier

	TE 70-AVR
Hammerboring i betong ($a_{h, HD}$)	10,8 m/s ²
Meisling ($a_{h, Cheq}$)	9 m/s ²
Usikkerhet (K)	1,5 m/s ²



5 Betjening

5.1 Montere sidehåndtak

FORSIKTIG

Fare for personskader Tap av kontroll over produktet.

- ▶ Kontroller at sidehåndtaket er riktig montert og forskriftsmessig festet. Kontroller at klemmen ligger i sporet som er beregnet for dette på produktet.
- ▶ Monter sidehåndtaket.

5.2 Sette i/ta ut innsatsverktøyet



Bruk av uegnet fett kan forårsake skade på maskinen. **Bruk bare originalfett fra Hilti.**

Kontroller alltid om det er skader eller ujevn slitasje på verktøyet før det tas i bruk, og skift det eventuelt ut.


- ▶ Sett verktøyet i/ta verktøyet ut.

5.3 Boring uten slag




Boring uten slag er bare mulig med verktøy med en spesiell tange. Slike verktøy finnes i **Hilti** verktøysortiment.

Med hurtigchucken kan for eksempel trebor eller stålbør med sylindrisk tange festes til verktøyet, og det kan bores uten slag.

- ▶ Sett funksjonsvelgeren i stillingen "Hammerboring" .

5.4 Boring med slag (hammerboring)

- ▶ Sett funksjonsvelgeren i stillingen "Hammerboring" .

5.5 Plassere meiselen

FORSIKTIG

Fare for personskader! Tap av kontroll over meiselretningen.

- ▶ Ikke arbeid i posisjonen "Plassere meiselen". Sett funksjonsvelgeren i stillingen "Meisling" til den går i lås.



Meiselen kan sperres i 24 ulike posisjoner (i trinn på 15°). Derfor kan man alltid finne den optimale arbeidsstillingen når man jobber med flat- og formmeisel.

- ▶ Sett funksjonsvelgeren i stillingen "Plassere meiselen" .

5.6 Meisling

- ▶ Sett funksjonsvelgeren i stillingen "Meisling" .

5.7 Kontrollbryterlås



I meiseldrift kan man sperre kontrollbryteren mens den er aktivert.

- ▶ Trykk på kontrollbryterlåsen.



6 Service og vedlikehold

ADVARSEL

Fare for elektrisk støt! Stell og vedlikehold med isatt nettstøpsel kan føre til alvorlige personskader og forbrenninger.

- ▶ Før alt stell og vedlikeholdsarbeid må nettstøpslet trekkes ut!

Pleie

- Fjern gjenstridig smuss forsiktig.
- Bruk en tørr børste for å rengjøre ventilasjonsåpningene forsiktig.
- Rengjør huset bare med en lett fuktet klut. Ikke bruk silikonholdige pleiemiddel, da dette kan angripe plastdelene.

Vedlikehold

ADVARSEL

Fare for elektrisk støt! Ufagmessige reparasjoner på elektriske komponenter kan føre til alvorlig personskade og forbrenninger.

- ▶ Elektriske deler på maskinen må kun repareres av fagfolk.
- Kontroller alle synlige deler regelmessig mht. skade og alle betjeningselementene mht. feilfri funksjon.
- Ved skader og/eller funksjonsfeil må produktet ikke brukes. Få maskinen reparert av **Hilti service** snarest mulig.
- Etter stell- og vedlikeholdsarbeid må alle beskyttelsesinnretninger monteres, og det må foretas funksjonskontroll av dem.



Av hensyn til sikkerheten må du bare bruke originale reservedeler og forbruksmaterialer. Reservedeler, forbruksmaterialer og tilbehør til produktet, som er godkjent av oss, finner du hos **Hilti Store** eller under: www.hilti.group.

7 Transport og lagring

- Elektroverktøyet må ikke transporteres med isatt verktøy.
- Oppbevar alltid elektroverktøy med uttrukket nettstøpsel.
- Oppbevar maskinen tørt og utenfor barns og uvedkommendes rekkevidde.
- Etter lang transport eller lengre tids oppbevaring må elektroverktøyet kontrolleres mht. skade før bruk.

8 Feilsøking

Ved feil som ikke står i denne tabellen eller som du selv ikke kan rette opp, må du kontakte **Hilti Service**.

8.1 Feilsøking

Feil	Mulig årsak	Løsning
Kombihammeren starter ikke.	Spenningstilførselen er brutt.	▶ Sett på et annet elektroverktøy og kontroller funksjonen.
	Generator i Sleep Mode.	▶ Belast generatoren med en andre forbruker (f.eks. bygg-lampe). Slå deretter maskinen av og på igjen.
	Den elektroniske startsperreren er aktivert etter et strømbrudd.	▶ Slå maskinen av og på igjen.
	Slitte kullbørster.	▶ La en autorisert elektriker kontrollere dette og eventuelt foreta utskifting.
Slageeffekt uteblir.	Maskinen er for kald.	▶ Sett kombihammeren på underlaget og la den gå på tomgang. Gjenta hvis nødvendig til slagverket arbeider.



Feil	Mulig årsak	Løsning
Kombihammeren yter ikke maksimalt.	Skjøteledning for lang og/eller med for lite tverrsnitt.	▶ Skjøteledning med tillatt lengde og/eller med tilstrekkelig tverrsnitt.
	Kontrollbryteren er ikke trykt helt inn.	▶ Trykk kontrollbryteren helt inn.
	Strømtilførsel har for lav spenning.	▶ Koble maskinen til en annen strømtilførsel.
Boret går ikke rundt.	Funksjonsvelgeren står ikke i stilling eller er i stillingen "Meisling" T eller i stillingen "Plassere meiselen" →.	▶ Sett funksjonsvelgeren i stillingen "Hammerboring". IT .
Boret løsner ikke fra chucken.	Chucken er ikke trukket helt tilbake.	▶ Trekk verktøysperren tilbake så langt det går, og ta ut verktøyet.
	Sidehåndtak ikke riktig montert.	▶ Løsne sidehåndtaket og monter det riktig, slik at klemme og sidehåndtak smekker på plass i fordypningen.
Serviceindikatoren blinker rødt.	Skader på maskinen.	▶ Få produktet reparert av Hilti service.
Serviceindikatoren lyser rødt.	Slitte kullbørster.	▶ La en autorisert elektriker kontrollere dette og eventuelt foreta utskifting.

9 Avhending

Hilti maskiner er i stor grad laget av resirkulerbart materiale. En forskriftsmessig materialsortering er en forutsetning for resirkulering. I mange land tar **Hilti** din gamle maskin i retur. Spør **Hilti** kundeservice eller forhandleren din.



- ▶ Kast aldri elektroverktøy, elektronisk utstyr eller batterier i husholdningsavfallet!

10 RoHS (direktiv for begrensning av bruk av farlige stoffer)

Under følgende lenke finner du tabellen over farlige stoffer: qr.hilti.com/r1021413

Du finner en lenke til RoHS-tabellen helt til slutt i denne dokumentasjonen som QR-kode.

11 Produsentgaranti

- ▶ Når det gjelder spørsmål om garantibetingelser, ber vi deg kontakte din lokale **Hilti**-partner.

Alkuperäiset ohjeet

1 Tämän käyttöohjeen tiedot

1.1 Tästä käyttöohjeesta

- Lue ehdottomasti tämä käyttöohje ennen tuotteen käyttämistä. Se on turvallisen työnteon ja tuotteen ongelmattoman käsittelyn perusedellytys.
- Noudata tässä käyttöohjeessa annettuja ja tuotteessa olevia turvallisuus- ja varoitushuomautuksia.
- Säilytä käyttöohje aina tuotteen yhteydessä, ja anna tuote toiselle henkilölle aina käyttöohjeen kanssa.

1.2 Merkkien selitykset

1.2.1 Varoitushuomautukset

Varoitushuomautukset varoittavat tuotteen käyttöön liittyvistä vaaroista. Seuraavia varoitustekstejä käytetään:



⚠ VAKAVA VAARA

VAKAVA VAARA !

- ▶ Varoittaa uhkaavasta vaaratilanteesta, josta voi seurauksena olla vakava loukkaantuminen tai jopa kuolema.

⚠ VAARA

VAARA !

- ▶ Varoittaa mahdollisesta vaarasta, josta voi seurauksena olla vakava loukkaantuminen tai kuolema.





⚠ VAROITUS

HUOMIO !

- ▶ Varoittaa mahdollisesta vaaratilanteesta, josta voi seurata loukkaantuminen tai aineellinen vahinko.


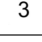
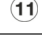

1.2.2 Symbolit käyttöohjeessa

Tässä käyttöohjeessa käytetään seuraavia symboleita:

	Noudata käyttöohjetta
	Toimintaohjeita ja muuta hyödyllistä tietoa
	Kierrätyskelpoisten materiaalien käsittely
	Älä hävitä sähkölaitteita ja akkuja tavallisen sekajätteen mukana

1.2.3 Symbolit kuvissa




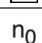

Kuvissa käytetään seuraavia symboleita:

	Nämä numerot viittaavat vastaavaan kuvaan tämän käyttöohjeen alussa.
	Numerointi kuvissa viittaa tärkeisiin työvaiheisiin tai työvaiheiden kannalta tärkeisiin rakennosiin. Nämä vastaavasti numeroidut työvaiheet tai rakenneosat korostetaan tekstissä, esimerkiksi (3) .
	Kohtanumeroita käytetään kuvassa Yleiskuva , ja ne viittaavat kuvatekstien numerointiin kappaleessa Tuoteyhteenveto .
	Tämän merkin tarkoitus on kiinnittää erityinen huomiosi tuotteen käyttöön ja käsittelyyn.

1.3 Tuotekohtaiset symbolit

1.3.1 Symbolit tuotteessa

Tuotteessa käytetään seuraavia symboleita:

	Poraaminen iskulla (iskuporaus)
	Piikkaaminen
	Piikkausterän kohdistaminen
	Suojausluokka II (kaksinkertainen eristys)
n_0	Nimellistyhjäkäyntierrosluku
/min	Kierrosta minuutissa
RPM	Kierrosta minuutissa
\emptyset	Halkaisija
	Vaihtovirta





Tuote tukee langatonta tiedonsiirtoa, joka on yhteensopiva iOS- ja Android-alustojen kanssa.

1.4 Tuotetiedot

HILTI -tuotteet on tarkoitettu ammattikäyttöön, ja niitä saa käyttää, huoltaa tai korjata vain valtuutettu, koulutettu henkilö. Käyttäjän pitää olla hyvin perillä käyttöön liittyvistä vaaroista. Tuote ja sen varusteet saattavat aiheuttaa vaaratilanteita, jos kokemattomat henkilöt käyttävät tuotetta ohjeiden vastaisesti tai muutoin asiattomasti.

Tyypimerkinnän ja sarjanumeron löydät tyyppikilvestä.

- Kirjoita sarjanumero oheiseen taulukkoon. Tuotteen tiedot tarvitaan, jos esität kysymyksiä myynti- tai tuoteedustajallemme.

Tuotetiedot

Kombiporavasara	TE 70-AVR
Sukupuoli	03
Sarjanumero	

1.5 Vaatimustenmukaisuusvakuutus

Vakuutamme, että tässä kuvattu tuote täyttää voimassa olevien direktiivien ja standardien vaatimukset. Kuva vaatimustenmukaisuusvakuutuksesta on tämän dokumentaation lopussa.

Tekninen dokumentaatio löytyy tästä:

Hilti Entwicklungsgesellschaft mbH | Zulassung Geräte | Hiltistraße 6 | 86916 Kaufering, DE

2 Turvallisuus

2.1 Sähkötyökaluja koskevat yleiset turvallisuusohjeet

⚠ VAKAVA VAARA Lue kaikki turvallisuus- ja käyttöohjeet, selostukset ja tekniset tiedot, jotka liittyvät tähän sähkötyökaluun. Seuraavien ohjeiden noudattamatta jättäminen saattaa johtaa sähköiskuun, tulipaloon ja/tai vakavaan loukkaantumiseen.

Säilytä kaikki turvallisuus- ja käyttöohjeet huolellisesti vastaisen varalle.

Turvallisuusohjeissa käytetty käsite ”sähkötyökalu” tarkoittaa verkkokäyttöisiä sähkötyökaluja (joissa verkkojohto) ja akkukäyttöisiä sähkötyökaluja (joissa ei verkkojohtoa).

Työpaikan turvallisuus

- **Pidä työskentelyalue siistinä ja hyvin valaistuna.** Työpaikan epäjärjestys ja valaisemattomat työalueet voivat johtaa tapaturmiin.
- **Älä käytä sähkötyökalua räjähdysalttiissa ympäristössä, jossa on syttyvää nestettä, kaasua tai pölyä.** Sähkötyökalut synnyttävät kipinöitä, jotka saattavat sytyttää pölyn tai höyryt.
- **Pidä lapset ja sivulliset loitolla sähkötyökalua käyttäessäsi.** Voit menettää koneen hallinnan huomiosi suuntautuessa muualle.

Sähköturvallisuus

- **Sähkötyökalun pistokkeen pitää sopia pistorasiaan. Pistoketta ei saa muuttaa millään tavalla. Älä käytä pistorasia-adaptoreita suojamaadotettujen sähkötyökalujen yhteydessä.** Alkuperäisessä kunnossa olevat pistokkeet ja sopivat pistorasiat vähentävät sähköiskun vaaraa.
- **Vältä koskettamasta sähköä johtaviin pintoihin kuten putkiin, pattereihin, liesiin ja jääkaappeihin.** Sähköiskun vaara kasvaa, jos kehosi maadottuu.
- **Älä aseta sähkötyökalua alttiiksi sateelle tai kosteudelle.** Veden tunkeutuminen sähkötyökalun sisään lisää sähköiskun vaaraa.
- **Älä kanna tai ripusta sähkötyökalua verkkojohdostaan äläkä vedä pistoketta irti pistorasiasta johdosta vetämällä. Pidä johto loitolla kuumuudesta, öljystä, terävistä reunoista ja liikkuvista osista.** Vahingoittuneet tai toisiinsa kietoutuneet johdot lisäävät sähköiskun vaaraa.
- **Kun käytät sähkötyökalua ulkona, käytä ainoastaan ulkokäyttöön soveltuvia jatkojohtoja.** Ulkokäyttöön soveltuvan jatkojohdon käyttö pienentää sähköiskun vaaraa.
- **Jos sähkötyökalua on välttämätöntä käyttää kosteassa ympäristössä, käytä vikavirtasuojakytkintä.** Vikavirtasuojakytkimen käyttö pienentää sähköiskun vaaraa.



Henkilöturvallisuus

- ▶ **Ole valpas, kiinnitä huomiota työskentelyysi ja noudata tervettä järjeä sähkötyökalua käyttäessäsi. Älä käytä sähkötyökalua, jos olet väsynyt tai huumeiden, alkoholin tai lääkkeiden vaikutuksen alaisena.** Sähkötyökalua käytettäessä hetkellinenkin varomattomuus saattaa aiheuttaa vakavia vammoja.
- ▶ **Käytä henkilökohtaisia suojavarusteita ja aina suojalaseja.** Henkilökohtaiset suojavarusteet, kuten hengityssuojain, luistamattomat turvajalkineet, kypärä ja kuulosuojaimet, pienentävät oikein käytettyinä loukkaantumisriskiä sähkötyökalun käyttötilanteesta riippuen.
- ▶ **Varo tahatonta käynnistämistä. Varmista, että sähkötyökalu on kytketty pois päältä, ennen kuin liität sen verkkovirtaan ja/tai liität siihen akun, otat sen käteesi tai kannat sitä.** Jos kannat sähkötyökalua sormi käyttökytkimellä tai liität pistokkeen pistorasiaan käyttökytkimen ollessa käyntiasennossa, altistat itsesi onnettomuuksille.
- ▶ **Poista kaikki säätötyökalut ja ruuvitaltat, ennen kuin käynnistät sähkötyökalun.** Työkalu tai avain, joka sijaitsee koneen pyörivässä osassa, saattaa johtaa loukkaantumiseen.
- ▶ **Vältä vaikeita työskentelyasentoja. Varmista aina tukeva seisoma-asento ja tasapaino.** Siten voit paremmin hallita sähkötyökalua odottamattomissa tilanteissa.
- ▶ **Käytä työohsi soveltuvia vaatteita. Älä käytä löysiä työvaatteita tai koruja. Pidä hiukset, vaatteet ja käsineet loitolla liikkuvista osista.** Väljät vaatteet, korut ja pitkät hiukset voivat takertua liikkuviin osiin.
- ▶ **Jos pölynpoisto- ja keräilylaitteita voidaan asentaa, sinun on tarkastettava, että ne on liitetty oikein ja että niitä käytetään oikealla tavalla.** Pölynpoistovarustuksen käyttö vähentää pölyn aiheuttamia vaaroja.
- ▶ **Älä tuudittaudu virheelliseen turvallisuuden tunteeseen äläkä laiminlyö sähkötyökaluja koskevia turvallisuusohjeita silloinkaan, kun mielestäsi jo olet kokenut sähkötyökalun käyttäjää.** Harkitsema- ton ja huolimaton toiminta voi sekunnin murto-osissa johtaa vakaviin loukkaantumisiin.

Sähkötyökalun käyttö ja käsittely

- ▶ **Älä ylikuormita konetta. Käytä kyseiseen työhön tarkoitettua sähkötyökalua.** Sopivaa sähkötyökalua käyttäen työskentelet paremmin ja varmemmin tehoalueella, jolle sähkötyökalu on tarkoitettu.
- ▶ **Älä käytä sähkötyökalua, jonka käyttökytkin ei toimi.** Sähkötyökalu, jota ei enää voida käynnistää ja pysäyttää käyttökytkimellä, on vaarallinen ja se täytyy korjata.
- ▶ **Irrota pistoke pistorasiasta ja/tai irrota akku ennen kuin muutat säätöjä, vaihdat terää tai lisäva- rusteita ja kun lopetat koneen käyttämisen.** Tämä turvatoimenpide estää sähkötyökalun tahattoman käynnistysriskin.
- ▶ **Säilytä sähkötyökalut poissa lasten ulottuvilta, kun niitä ei käytetä. Älä anna toisten henkilöiden käyttää konetta, elleivät he ole perehtyneet sen käyttöön ja lukeneet käyttöohjeita.** Sähkötyökalut ovat vaarallisia, jos niitä käyttävät kokemattomat henkilöt.
- ▶ **Hoida sähkötyökaluja ja niiden varusteita huolella. Tarkasta, että liikkuvat osat toimivat moit- teettomasti eivätkä ole puristuksissa, ja tarkasta myös, ettei sähkötyökalussa ole murtuneita tai vaurioituneita osia, jotka saattaisivat haitata sen toimintaa. Korjauta vaurioituneet osat ennen koneen käyttämistä.** Usein loukkaantumisten ja tapaturmien syynä on sähkötyökalujen laiminlyöty huolto.
- ▶ **Pidä terät terävinä ja puhtaina.** Huolella hoidetut terät, joiden leikkausreunat ovat teräviä, eivät jumitu herkästi, ja niillä työnteko on kevyempää.
- ▶ **Käytä sähkötyökalua, lisävarusteita ja tarvikkeita, teriä jne. niiden käyttöohjeiden mukaisesti. Ota tällöin työolosuhteet ja suoritettava työtehtävä huomioon.** Sähkötyökalun käyttö muuhun kuin sille tarkoitettuun käyttöön saattaa johtaa vaarallisiin tilanteisiin.
- ▶ **Pidä käsikahvat ja tartuntapinnat kuivina, puhtaina, öljyttöminä ja rasvattomina.** Jos käsikahvat tai tartuntapinnat ovat liukkaat, sähkötyökalun turvallinen käyttö ja hallinta voi yllättävissä tilanteissa olla mahdollonta.

Huolto

- ▶ **Anna koulutettujen ammattihenkilöiden korjata sähkötyökalusi ja hyväksy korjauksiin vain alkupe- räisiä varaosia.** Siten varmistat, että sähkötyökalu säilyy turvallisena.

2.2 Porakoneita koskevat turvallisuusohjeet

Turvallisuusohjeet kaikkiin töihin

- ▶ **Käytä kuulosuojaimia, kun poraat iskulla.** Melu saattaa heikentää kuuloasi.
- ▶ **Käytä lisäkavaa.** Hallinnan menettäminen saattaa aiheuttaa loukkaantumisia.
- ▶ **Pidä sähkötyökalusta kiinni vain sen eristetyistä kahvapinnoista, jos teet työtä, jossa työkalutera tai ruuvit saattavat osua rakenteen sisällä olevaan virtajohtoon tai koneen omaan verkkojohtoon.** Jos terä osuu virtajohtoon, koneen metalliosiin saattaa johtua virta, jolloin saatat saada sähköiskun.



Turvallisuusohjeet jos käytät pitkiä poranteriä

- ▶ **Älä missään tapauksessa käytä suurempaa kierroslukua kuin mikä on poranterän suurin sallittu kierrosluku.** Suuremmilla kierrosluvuilla poranterä saattaa herkästi taipua, jos se pyörii vapaasti ilman että se koskettaa työkappaletta, ja seurauksena voi olla loukkaantumisia.
- ▶ **Aloita poraaminen aina pienellä kierrosluvulla ja siten, että poranterä koskettaa työkappaletta.** Suuremmilla kierrosluvuilla poranterä saattaa herkästi taipua, jos se pyörii vapaasti ilman että se koskettaa työkappaletta, ja seurauksena voi olla loukkaantumisia.
- ▶ **Älä paina konetta tarpeettoman kovalla voimalla ja paina aina vain poranterän pituussuuntaan.** Poranterät voivat taipua ja siten murtua, tai seurauksena voi olla hallinnan menettäminen ja loukkaantumisia.

Turvallisuusohjeet käytettäessä vatkeinpäitä ja vatkaimia

- ▶ **Kytke sähkötyökalu päälle ja pois päältä vain silloin, kun vatkeinpää on sekoitettavassa materiaalissa.** Muutoin seurauksena voi olla hallinnan menettäminen ja loukkaantumisia.

2.3 Lisää poravasaroiden turvallisuusohjeita**Henkilöturvallisuus**

- ▶ Käytä vain tuotetta ja lisävarusteita, jotka ovat teknisesti moitteettomassa kunnossa.
- ▶ Älä koskaan tee tuotteeseen tai lisävarusteisiin minkäänlaisia muutoksia.
- ▶ Käytä tuotteen mukana toimitettuja lisäkäsikahvoja. Hallinnan menettäminen saattaa aiheuttaa loukkaantumisia.
- ▶ Kun teet reikiä, varmista työstettävän kohdan taustapuoli. Putoamaan tai sinkoutumaan pääsevät palaset voivat aiheuttaa muille vammoja.
- ▶ Pidä tuotteesta aina kiinni käsikahvoista molemmin. Pidä käsikahvat kuivina ja puhtaina.
- ▶ Pidä tuotteesta kiinni vain sen eristetyistä kahvapinnoista, jos teet työtä, jossa työkaluterä saattaa osua rakenteen sisällä olevaan virtajohtoon. Jos terä osuu virtajohtoon, tuotteen metalliosiin saattaa johtua virta, jolloin saatat saada sähköiskun.
- ▶ Varo, ettet koske pyöriviin osiin - loukkaantumisvaara!
- ▶ Tuotetta käyttäessäsi käytä silmäsuojaimia, suojakypärää, kuulosuojaimia ja soveltuvaa hengityssuojainta.
- ▶ Käytä työkaluterän vaihdossa suojakäsineitä. Työkaluterän koskettaminen saattaa aiheuttaa haavoja ja palovammoja.
- ▶ Käytä suojalaseja. Sirpaleet saattavat aiheuttaa vammoja ja vahingoittaa silmiä.
- ▶ Hiottaessa, kiillotettaessa, leikattaessa ja porattaessa syntyvä pöly saattaa sisältää vaarallisia kemikaaleja. Niistä esimerkkejä ovat: lijy tai lijyypitoiset maalit; tiili, betoni ja muut muuraustuotteet, luonnonkivi ja muut silikaatteja sisältävät tuotteet; tietyt puulajit kuten tammi, pyökki ja kemiallisesti käsitellyt puut; asbesti tai asbestia sisältävät materiaalit. Määritä työstettävien materiaalien vaaraluokituksen perusteella käyttäjän ja lähellä olevien henkilöiden altistumisvaara. Ryhdy tarvittaviin toimenpiteisiin altistumisen pitämiseksi turvallisella tasolla, esimerkiksi käytettävä pölynkeräysjärjestelmää tai soveltuvaa hengityssuojainta. Altistumisen määrää pienentäviä yleisluonteisia toimenpiteitä ovat:
 - ▶ työn tekeminen hyvin tuulettuvassa tilassa,
 - ▶ pitkään kestävä pölyaltistuksen välttäminen,
 - ▶ pölyn ohjaaminen pois kasvoilta ja keholta,
 - ▶ suojavaatetuksen käyttö ja kehon altistuneiden kohtien pesu vedellä ja saippualla.
- ▶ Pidä työssäsi usein taukoja, joiden aikana tee sormien verenkiertoa parantavia sormivoimisteluliikeitä. Pitempään jatkuva työnteko saattaa tänä vuoksi aiheuttaa verenkiertohäiriöitä tai sormien, käsien ja ranteiden hermokipuja.

Sähköturvallisuus

- ▶ Tarkasta ennen työn aloittamista, onko työskentelyalueella rakenteiden sisälle asennettu sähköjohtoja tai kaasu- ja vesiputkia. Tuotteen ulkopinnan metalliosista saatat saada sähköiskun tai aiheuttaa räjähdyksen, jos vahingossa osut sähköjohtoon, kaasuputkeen tai vesiputkeen.

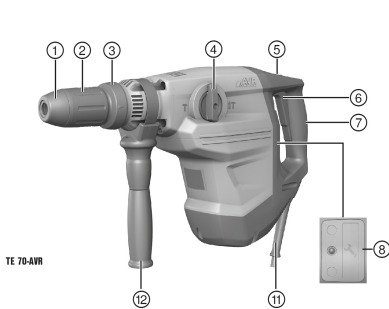
Sähkötyökalujen käyttö ja hoito

- ▶ Kytke tuote heti pois päältä, jos työkaluterä jumittuu. Tuote saattaa pyrkiä liikkumaan sivusuunnassa.
- ▶ Odota, että tuote on täysin pysähtynyt, ennen kuin lasket sen kädestäsi.



3 Kuvaus

3.1 Tuoteyhteenvedo



- ① Pölysuojus
- ② Istukka
- ③ Työkaluterän lukituksen vapautus
- ④ Toimintatapavalitsin
- ⑤ Käyttökytkimen lukitus
- ⑥ Käyttökytkin
- ⑦ Käsikahva
- ⑧ Huoltotarpeen merkkivalo
- ⑩ Verkkjohto
- ⑫ Sivukahva

3.2 Tarkoituksenmukainen käyttö

Kuvattu tuote on paineilmatoimisella iskumekanismilla varustettu sähkökäyttöinen kombiporavasara. Se on tarkoitettu betonin, tiilen, muurauksen, puun ja metallin poraustöihin. Tuotetta voidaan myös käyttää tiilen ja muurauksen kevyisiin ja keskivaativiin piikkaustöihin ja betonin viimeistelytöihin.

- Koneen saa liittää vain verkkovirtaan, jonka jännite ja taajuus vastaavat koneen tyyppikilvessä olevia tietoja.

3.3 Lisävaruste AVR

Tuotteessa voi olla lisävarusteena Active Vibration Reduction (AVR) -järjestelmä, joka merkittävästi vähentää tärinää.

3.4 Huoltotarpeen merkkivalo

Tuotteessa on huoltotarpeen merkkivalo.

3.4.1 Huoltotarpeen merkkivalon tila

Tila	Merkitys
Huoltotarpeen merkkivalo palaa punaisena.	Käyttöajan perusteella huolto on tullut ajankohtaiseksi.
Huoltotarpeen merkkivalo vilkkuu punaisena.	Korjauta kombiporavasara Hilti -huollossa.

3.5 Toimituksen sisältö

Kombiporavasara, sivukahva, käyttöohje.

Muita tälle tuotteelle hyväksytyjä järjestelmätuotteita löydät **Hilti Store** -liikkeestä tai nettiosoitteesta: www.hilti.group | USA: www.hilti.com

4 Tekniset tiedot



Nimellisjännitteen, nimellisvirran, verkkovirran taajuuden ja/tai nimellisottotehon näet maakohtaisesta tyyppikilvestä.

Jos konetta käytetään generaattoriin tai muuntajaan liitettynä, generaattorin tai muuntajan antotehon pitää olla vähintään kaksi kertaa niin suuri kuin koneen tyyppikilpeen merkitty nimellisottoteho. Muuntajan tai generaattorin käyttöjännitteen pitää aina olla rajoissa +5 % ja -15 % koneen nimellisjännitteestä.



	TE 70-AVR
Paino EPTA 01 mukaan	8,3 kg
Yhden iskun energia EPTA 05 mukaan	11,5 J
Ø iskuporanterä	12 mm ... 55 mm
Ø puuporanterä	10 mm ... 32 mm
Ø metalliporanterä	0 mm ... 20 mm

4.1 Melutiedot ja värinäarvot EN 62841 mukaan

Tässä käyttöohjeessa annetut äänenpaine- ja värinäarvot on mitattu standardoitujen mittausmenetelmien mukaisesti, ja näitä arvoja voidaan käyttää sähkötyökalujen vertailussa. Ne soveltuvat myös altistumisten tilapäiseen arviointiin.

Annetut arvot koskevat sähkötyökalun pääasiallisia käyttötarkoituksia. Jos sähkötyökalua kuitenkin käytetään muihin tarkoituksiin, poikkeavia työkaluja tai teriä käyttäen tai puutteellisesti huollettuna, arvot voivat poiketa tässä ilmoitetuista. Tämä saattaa merkittävästi lisätä altistumista koko työskentelyajan aikana.

Altistumisia tarkasti arvioitaessa on otettava huomioon myös ne ajat, jolloin sähkötyökalu on kytketty pois päältä tai jolloin sähkötyökalu on päällä, mutta sillä ei tehdä varsinaista työtä. Tämä saattaa merkittävästi vähentää altistumista koko työskentelyajan aikana.

Käyttäjän suojaamiseksi melun ja/tai värinän vaikutukselta ryhdy tarpeellisiin turvatoimenpiteisiin kuten: Sähkötyökalun ja siihen kiinnitettävien työkalujen huolto, käsien lämpimänä pitäminen, työtehtävien organisointi.

Melupäästöarvot

	TE 70-AVR
Melutehotaso (L_{WA})	113 dB(A)
Äänitehotason epävarmuus (K_{WA})	3 dB(A)
Melupäästön äänenpainetaso (L_{pA})	99 dB(A)
Äänenpainetaso epävarmuus (K_{pA})	3 dB(A)

Tärinän kokonaisarvot

	TE 70-AVR
Poraaminen iskulla betoniin ($a_{h, HD}$)	10,8 m/s ²
Piikkaaminen ($a_{h, Chetq}$)	9 m/s ²
Epävarmuus (K)	1,5 m/s ²

5 Käyttö

5.1 Sivukahvan kiinnitys

VAROITUS

Loukkaantumisaara Tuotteen hallinnan menettämisen vaara.

► Varmista, että sivukahva on kiinnitetty oikein ja kunnolla kiinni. Varmista, että kiinnityspanta on oikein paikallaan tuotteessa olevassa urassa.

► Kiinnitä sivukahva.

5.2 Työkaluterän kiinnitys/irrotus



Soveltumattoman rasvan käyttö voi vaurioittaa konetta. **Käytä vain alkuperäistä Hilti-rasvaa.**

Aina ennen käyttöä tarkasta työkaluterän mahdolliset vauriot sekä epätasainen kuluminen ja tarvittaessa vaihda työkaluterä.

► Kiinnitä työkaluterä / irrota työkaluterä.



5.3 Poraus ilman iskua

Poraaminen ilman iskua on mahdollista käytettäessä terää, jossa on erityinen kiinnityspää. **Hilti**-työkaluvalikoimasta löytyy myös tällaisia työkaluteriä. Pikaistukkaa käyttäen voidaan kiinnittää esimerkiksi lieriövartinen puu- tai metalliporanteri ja porata ilman iskua.

- ▶ Aseta toimintatapavalitsin iskulla poraamisen asentoon

5.4 Poraaminen iskulla (iskuporaus)

- ▶ Aseta toimintatapavalitsin iskulla poraamisen asentoon

5.5 Piikkausterän kohdistaminen

VAROITUS

Loukkaantumisvaara! Piikkaussuunnan hallinnan menettämisen vaara.

- ▶ Älä työskentele asentoa "Piikkausterän kohdistaminen" käyttäen. Aseta toimintatapavalitsin piikkausasettoon, kunnes se lukittuu.

Piikkaustyökalun voi kiinnittää 24 eri asentoon (15° välein). Näin latta- ja muotopiikkaustyökalun saa kiinnitettyä aina työn kannalta sopivimpaan asentoon.

- ▶ Aseta toimintatapavalitsin piikkausterän kohdistamisen asentoon

5.6 Piikkaaminen

- ▶ Aseta toimintatapavalitsin piikkausasettoon

5.7 Käyttökytken lukitus

Piikkauskäytössä voit lukita käyttökytken pohjaan.

- ▶ Paina käyttökytken lukitsinta.

6 Huolto, hoito ja kunnossapito

VAARA

Sähköiskun vaara! Hoito- ja kunnostustöiden suorittaminen pistoke pistorasiaan liitettynä voi johtaa vakaviin loukkaantumisiin ja palovammoihin.

- ▶ Irrota pistoke verkkopistorasiasta aina ennen hoito- ja kunnostustöitä!

Huolto ja hoito

- Poista pinttynyt lika varovasti.
- Puhdista jäähdytysilmaraot varovasti kuivalla harjalla.
- Käytä kotelon puhdistamiseen vain kevyesti kostutettua kangasta. Älä käytä silikonia sisältäviä hoitovainaita, sillä ne voivat vaurioittaa muoviosia.

Kunnossapito

VAARA

Sähköiskun aiheuttama vaara! Sähköosien asiantuntemattomat korjaukset voivat aiheuttaa vakavia loukkaantumisia ja palovammoja.

- ▶ Sähköosien korjaustyöt saa tehdä ainoastaan valtuutettu sähköasentaja.
- Tarkasta säännöllisin välein kaikkien näkyvien osien mahdolliset vauriot ja käyttöelementtien moitteeton toiminta.
- Jos havaitset vaurioita ja / tai toteat toimintahäiriöitä, älä käytä tuotetta. Korjauta heti **Hilti**-huollossa.



- Hoito- ja kunnostustöiden jälkeen kiinnitä kaikki suojalaitteet ja tarkasta niiden toiminta.



Käyttöturvallisuuden varmistamiseksi käytä vain alkuperäisiä varaosia ja käyttömateriaaleja. Tälle tuotteelle hyväksytyjä varaosia, kulutusmateriaaleja ja lisävarusteita löydät **Hilti Store** -liikkeestä tai osoitteesta: www.hilti.group.

7 Kuljetus ja varastointi

- Älä kuljeta sähkötyökalua työkaluterä kiinnitettyinä.
- Varastoi sähkötyökalu aina sen pistoke verkkopistorasiasta irrotettuna.
- Varastoi kone lasten ja asiattomien henkilöiden ulottumattomissa.
- Pitemmän kuljetuksen tai varastoinnin jälkeen tarkasta sähkötyökalun mahdolliset vauriot ennen käyttöä.

8 Apua häiriötilanteisiin

Häiriöissä, joita ei ole kuvattu tässä taulukossa tai joita et itse pysty poistamaan, ota yhteys **Hilti**-huoltoon.

8.1 Vianmääritys

Häiriö	Mahdollinen syy	Ratkaisu
Kombiporavasara ei käynnisty.	Katkos jännitteensaannissa.	▶ Liitä toinen sähkötyökalu ja tarkasta toimiiko se.
	Generaattori Sleep Mode -tilassa.	▶ Kuormita generaattoria toisella kuluttimella (esimerkiksi työmaalampulla). Kytke kone sitten pois päältä ja takaisin päälle.
	Elektroninen käynnistyksenesto on kytkeytynyt päälle virran katkeamisen seurauksena.	▶ Kytke kone pois päältä ja takaisin päälle.
	Hiilet kuluneet.	▶ Tarkastuta ja tarvittaessa vaihdata ammattitaitoisessa erikoiskorjaamossa.
Ei iskua.	Kone liian kylmä.	▶ Aseta kombiporavasaraa pintaa vasten ja anna käydä tyhjäkäyntiä. Tarvittaessa toista tämä, kunnes iskumekanismi toimii.
Kombiporavasaran teho on heikko.	Jatkojohto liian pitkä ja / tai sen poikkipinta-ala on liian pieni.	▶ Käytä jatkojohtoa, jonka pituus on sallittu ja / tai poikkipinta-ala on riittävä.
	Käyttökytkin ei ole täysin pohjaan painettuna.	▶ Paina käyttökytkin vasteeseen saakka.
	Virransaannin jännite on liian pieni.	▶ Liitä kone toiseen virtalähteeseen.
Poranterä ei pyöri.	Toimintatapavalitsin ei ole lukittunut tai toimintatapavalitsin on piikkaamisen asennossa T tai piikkausterän kohdistamisen asennossa → .	▶ Aseta toimintatapavalitsin iskulla poraamisen asentoon IT koneen ollessa pysähdyksissä.
Poranterää ei saa vapautettua lukituksesta.	Istukkaa ei ole vedetty kunnolla taakse.	▶ Vedä työkalun lukitsin vasteeseen saakka takaisinpäin ja irrota työkalu.
	Sivukahva väärin kiinnitetty.	▶ Vapauta sivukahva ja kiinnitä se oikein siten, että kiinnityspanta ja sivukahva lukittuvat syvennykseen.
Huoltotarpeen merkkivalo vilkkuu punaisena.	Kone vaurioitunut.	▶ Korjauta tuote Hilti -huollossa.



Häiriö	Mahdollinen syy	Ratkaisu
Huoltotarpeen merkkipalaa punaisena.	Hiilet kuluneet.	► Tarkastuta ja tarvittaessa vaihdata ammattitaitoisessa erikoiskorjaamossa.

9 Hävittäminen

Hilti-työkalut, -koneet ja -laitteet on pääosin valmistettu kierrätyskelpoisista materiaaleista. Kierrätyksen edellytys on materiaalien asianmukainen lajittelu. Useissa maissa **Hilti** ottaa vanhat koneet ja laitteet vastaan kierrätystä ja hävitystä varten. Lisätietoja saat **Hilti**-huollosta tai -edustajalta.



- Älä hävitä sähkötyökaluja, elektronisia laitteita ja akkuja tavallisen sekajätteen mukana!

10 RoHS (vaarallisten aineiden käytön rajoittamisen direktiivi)

Vaarallisten aineiden taulukon löydät seuraavista linkeistä: qr.hilti.com/r1021413
 Linkki RoHS-taulukkoon on tämän dokumentaation lopussa QR-koodina.

11 Valmistajan myöntämä takuu

- Jos sinulla on takuehtoihin liittyviä kysymyksiä, ota yhteys paikalliseen **Hilti**-edustajaan.

Перевод оригинального руководства по эксплуатации

1 Данные руководства по эксплуатации

1.1 Об этом документе



Импортер и уполномоченная изготовителем организация

- (RU) Российская Федерация
 АО "Хилти Дистрибушн ЛТД", 141402, Московская область, г. Химки, ул. Ленинградская, стр. 25, комната 15.26
- (BY) Республика Беларусь
 ИООО "Хилти БиУай", 222750, Минская область, Дзержинский район, Р-1, 18-й км, 2 (около д. Слободка), помещение 1-34
- (KZ) Республика Казахстан
 ТОО "Хилти Казахстан", 050057, г. Алматы, Бостандыкский район, ул. Тимирязева, дом 42/15, литер 012 (корпус15)
- (AM) Республика Армения
 ООО "ЭЙЧ-КОН", 0070, г. Ереван, ул. Ерванда Кочара 19/28

Страна производства: см. маркировочную табличку на оборудовании.

Дата производства: см. маркировочную табличку на оборудовании.

Соответствующий сертификат можно найти по адресу: www.hilti.ru

Специальных требований к условиям хранения, транспортировки и использования, кроме указанных в руководстве по эксплуатации, нет.

Срок службы изделия составляет 5 лет.

- Перед началом работы изучите это руководство по эксплуатации. Это является залогом безопасной и бесперебойной работы.
- Соблюдайте указания по технике безопасности и предупреждающие указания, приведенные в этом руководстве по эксплуатации и на устройстве.
- Всегда храните руководство по эксплуатации рядом с устройством и передавайте устройство другим людям только вместе с этим руководством по эксплуатации.



1.2 Пояснение к знакам

1.2.1 Предупреждающие указания

Предупреждающие указания служат для предупреждения об опасностях при обращении с изделием. Используются следующие сигнальные слова:

ОПАСНО

ОПАСНО !

- ▶ Общее обозначение непосредственной опасной ситуации, которая влечет за собой тяжелые травмы или смертельный исход.

ПРЕДУПРЕЖДЕНИЕ

ПРЕДУПРЕЖДЕНИЕ !

- ▶ Общее обозначение потенциально опасной ситуации, которая может повлечь за собой тяжелые травмы или смертельный исход.





ОСТОРОЖНО

ОСТОРОЖНО !

- ▶ Общее обозначение потенциально опасной ситуации, которая может повлечь за собой травмы или повреждение оборудования (материальный ущерб).





1.2.2 Символы, используемые в руководстве

В этом руководстве используются следующие символы:

	Соблюдать руководство по эксплуатации
	Указания по эксплуатации и другая полезная информация
	Обращение с материалами, пригодными для вторичной переработки
	Не выбрасывайте электроинструменты и аккумуляторы вместе с бытовым мусором!

1.2.3 Символы на изображениях

На изображениях используются следующие символы:

	Эти цифры указывают на соответствующее изображение в начале данного руководства.
	Нумерация на иллюстрациях указывает на важные рабочие операции или на компоненты (детали), важные для рабочих операций. В тексте эти рабочие операции или компоненты выделены соответствующими номерами, например (3).
	Номера позиций используются в обзорном изображении. В обзоре изделия они указывают на номера в экспликации.
	Этот знак должен привлечь особое внимание пользователя при обращении с изделием.

1.3 Символы в зависимости от изделия

1.3.1 Символы на изделии

На изделии используются следующие символы:

	Сверление с ударом (ударное сверление)
	Долбление
	Выбор положения зубила
	Класс защиты II (двойная изоляция)



n_0	Номинальная частота вращения на холостом ходу
/min	оборотов в минуту (об/мин)
RPM	оборотов в минуту (об/мин)
\varnothing	Диаметр
	Переменный ток
	Устройство поддерживает технологию NFC, совместимую с платформами iOS и Android.

1.4 Информация об изделии

Изделия предназначены для профессионального использования, поэтому они должны обслуживаться и ремонтироваться только уполномоченным и обученным персоналом. Этот персонал должен пройти специальный инструктаж по технике безопасности. Использование изделия и его оснастки не по назначению или его эксплуатация необученным персоналом могут представлять опасность.

Типовое обозначение и серийный номер указаны на заводской табличке.

- ▶ Перепишите серийный номер в нижеприведенную табличную форму. Данные изделия необходимы при обращении в наше представительство или сервисный центр.

Указания к изделию

Комбинированный перфоратор	TE 70-AVR
Поколение	03
Серийный номер	

1.5 Декларация соответствия нормам

Настоящим мы с полной ответственностью заявляем, что данное изделие соответствует действующим директивам и нормам. Копию декларации соответствия нормам см. в конце этого документа.

Техническая документация (оригиналы) хранится здесь:

Hilti Entwicklungsgesellschaft mbH | Zulassung Geräte | Hiltistraße 6 | 86916 Kaufering, Германия

2 Безопасность

2.1 Общие указания по технике безопасности для электроинструментов

ПРЕДУПРЕЖДЕНИЕ Изучите все указания по технике безопасности, инструкции, иллюстрации и технические данные, которые прилагаются к данному электроинструменту. Несоблюдение приводимых ниже указаний может привести к поражению электрическим током, пожару и/или тяжелым травмам.

Сохраните все указания по технике безопасности и инструкции для следующего пользователя.

Используемый далее термин «электроинструмент» относится к электроинструменту, работающему от электрической сети (с кабелем электропитания) и от аккумулятора (без кабеля электропитания).

Безопасность рабочего места

- ▶ Следите за чистотой и хорошей освещенностью на рабочем месте. Беспорядок на рабочем месте или плохое освещение могут привести к несчастным случаям.
- ▶ Не используйте электроустройство/электроинструмент во взрывоопасной зоне, где имеются горючие жидкости, газы или пыль. При работе электроустройство/электроинструмент искрит, и искры могут воспламенить пыль или пары/газы.
- ▶ Не разрешайте детям и посторонним приближаться к работающему электроустройству/электроинструменту. Отвлекаясь от работы, можно потерять контроль над электроустройством/электроинструментом.

Электрическая безопасность

- ▶ Соединительная вилка электроинструмента должна соответствовать розетке электросети. Не изменяйте конструкцию вилки! Не используйте переходные вилки с электроинстру-



ментами с защитным заземлением. Использование оригинальных вилок и соответствующих им розеток снижает риск поражения электрическим током.

- ▶ **Избегайте непосредственного контакта с заземленными поверхностями, например с трубами, отопительными приборами, газо-/электропластинами и холодильниками.** При контакте с заземленными предметами возникает повышенный риск поражения электрическим током.
- ▶ **Предохраняйте электроинструменты от дождя или воздействия влаги.** В результате попадания воды в электроинструмент возрастает риск поражения электрическим током.
- ▶ **Не используйте кабель электропитания не по назначению, например для переноски электроинструмента, его подвешивания или для выдергивания вилки из розетки электросети. Защищайте кабель электропитания от воздействий высоких температур, масла, острых кромок или вращающихся деталей/узлов.** В результате повреждения или схлестывания кабелей электропитания повышается риск поражения электрическим током.
- ▶ **Если работы с электроинструментом выполняются на открытом воздухе, применяйте только удлинительные кабели, которые разрешено использовать вне помещений.** Использование удлинительного кабеля, пригодного для использования вне помещений, снижает риск поражения электрическим током.
- ▶ **Если избежать работы с электроинструментом в условиях влажности не представляется возможным, используйте автомат защиты от тока утечки.** Использование автомата защиты от тока утечки снижает риск поражения электрическим током.

Безопасность персонала

- ▶ **Будьте внимательны, следите за своими действиями и серьезно относитесь к работе с электроинструментом. Не пользуйтесь электроинструментом, если вы устали или находитесь под действием наркотиков, алкоголя или медикаментов.** Незначительная ошибка при невнимательной работе с электроинструментом может стать причиной серьезного травмирования.
- ▶ **Используйте средства индивидуальной защиты и всегда надевайте защитные очки.** Использование средств индивидуальной защиты, например респиратора, защитной обуви на нескользящей подошве, защитной каски или защитных наушников, в зависимости от вида и условий эксплуатации электроинструмента, снижает риск травмирования.
- ▶ **Избегайте непреднамеренного включения электроинструмента. Убедитесь в том, что электроинструмент выключен, прежде чем подключить его к электропитанию и/или вставить аккумулятор, поднимать или переносить электроинструмент.** Ситуации, когда при переноске электроинструмента палец находится на выключателе или когда включенный электроинструмент подключается к электросети, могут привести к несчастным случаям.
- ▶ **Перед включением электроинструмента удалите регулировочные приспособления или гаечные ключи.** Рабочий инструмент или гаечный ключ, находящийся во вращающейся части электроинструмента, может стать причиной получения травм.
- ▶ **Старайтесь избегать неестественных поз при работе. Постоянно сохраняйте устойчивое положение и равновесие.** Это позволит лучше контролировать электроинструмент в непредвиденных ситуациях.
- ▶ **Носите спецодежду. Не надевайте очень свободную одежду или украшения. Оберегайте волосы, одежду и защитные перчатки от вращающихся узлов электроинструмента.** Свободная одежда, украшения и длинные волосы могут быть захвачены ими.
- ▶ **Если предусмотрено подсоединение устройств для удаления и сбора пыли, убедитесь в том, что они подсоединены и используются по назначению.** Использование пылеудаляющего аппарата снижает вредное воздействие пыли.
- ▶ **Не пребывайте в ложной уверенности в собственной безопасности и не пренебрегайте правилами техники безопасности для электроинструментов, даже если вы являетесь опытным пользователем электроинструмента.** Неосторожное обращение может в течение долей секунды стать причиной получения тяжелых травм.

Использование и обслуживание электроинструмента

- ▶ **Не допускайте перегрузки электроинструмента. Используйте электроинструмент, предназначенный именно для данной работы.** Соблюдение этого правила обеспечит более высокое качество и безопасность работы в указанном диапазоне мощности.
- ▶ **Не используйте электроинструмент с неисправным выключателем.** Электроинструмент, включение или выключение которого затруднено, представляет опасность и должен быть отремонтирован.
- ▶ **Прежде чем приступить к регулировке электроинструмента, замене принадлежностей или перед перерывом в работе выньте вилку из розетки и/или аккумулятор из электроинструмента.** Данная мера предосторожности позволит предотвратить непреднамеренное включение электроинструмента.



- ▶ Храните неиспользуемые электроинструменты в местах, недоступных для детей. Не позволяйте использовать электроинструмент лицам, которые не ознакомлены с ним или не читали эти инструкции. Электроинструменты представляют собой опасность в руках неопытных пользователей.
- ▶ Бережно обращайтесь с электроинструментами и принадлежностями. Проверяйте безупречное функционирование подвижных частей, легкость их хода, целостность и отсутствие повреждений, которые могли бы отрицательно повлиять на работу электроинструмента. Сдавайте поврежденные части электроинструмента в ремонт до его использования. Причиной многих несчастных случаев является несоблюдение правил технического обслуживания электроинструментов.
- ▶ Необходимо следить за тем, чтобы режущие инструменты были острыми и чистыми. Заклинивание содержащихся в надлежащем состоянии режущих инструментов происходит реже, ими легче управлять.
- ▶ Применяйте электроинструмент, принадлежности (оснастку), рабочие инструменты и т. д. согласно данным указаниям. Учитывайте при этом рабочие условия и характер выполняемой работы. Использование электроинструментов не по назначению может привести к опасным ситуациям.
- ▶ Замасленные рукоятки и поверхности для хвата немедленно очищайте — они должны быть сухими и чистыми. Скользкие рукоятки и поверхности для хвата не обеспечивают безопасное управление и контроль электроинструмента в непредвиденных ситуациях.

Сервис

- ▶ Доверяйте ремонт своего электроинструмента только квалифицированному персоналу, использующему только оригинальные запчасти. Этим обеспечивается поддержание электроинструмента в безопасном и исправном состоянии.

2.2 Указания по технике безопасности при работе с дрелями

Указания по технике безопасности при выполнении любых работ

- ▶ При сверлении с ударом пользуйтесь защитными наушниками. В результате воздействия шума возможна потеря слуха.
- ▶ Используйте дополнительную рукоятку. Потеря контроля над электроинструментом может привести к травмам.
- ▶ При опасности повреждения рабочим инструментом или шурупами скрытой электропроводки или собственного кабеля электропитания держите электроинструмент за изолированные поверхности для хвата. При контакте с токопроводящей линией металлические части электроинструмента также находятся под напряжением, что может привести к удару электрическим током.

Указания по технике безопасности при использовании длинных сверл

- ▶ Категорически запрещается превышать максимально допустимую частоту вращения, предписанную для эксплуатации сверла. В противном случае сверло может легко деформироваться, если оно будет свободно вращаться без контакта с заготовкой, и травмировать пользователя.
- ▶ Процесс сверления всегда начинайте с низкой частотой вращения. При этом сверло должно контактировать с заготовкой. В противном случае сверло может легко деформироваться, если оно будет свободно вращаться без контакта с заготовкой, и травмировать пользователя.
- ▶ Не прижимайте сверло с чрезмерным усилием. При сверлении следите за тем, чтобы прилагаемое усилие было направлено (распределялось) по оси сверла. Сверла могут деформироваться и вследствие этого ломаться или возможна потеря контроля, что, в свою очередь, может привести к получению травм.

Указания по технике безопасности при использовании насадок-мешалок и смесителей

- ▶ Включайте или выключайте электроинструмент только тогда, когда насадка-мешалка находится в смешиваемом материале. В противном случае возможна потеря контроля и получение травм.

2.3 Дополнительные указания по технике безопасности при работе с перфоратором

Безопасность персонала

- ▶ Используйте электроинструмент и его принадлежности только в технически исправном состоянии.
- ▶ Внесение изменений в конструкцию электроинструмента/принадлежностей или его/их модификация категорически запрещаются.
- ▶ Используйте дополнительные рукоятки, входящие в комплект электроинструмента. Потеря контроля над электроинструментом может привести к травмам.



- ▶ При изготовлении сквозных проемов ограждайте опасную зону с противоположной стороны стены. Вылетающие наружу и/или падающие вниз осколки могут травмировать других людей.
- ▶ Всегда надежно удерживайте электроинструмент обеими руками за предусмотренные для этого рукоятки. Следите за тем, чтобы рукоятки были сухими и чистыми.
- ▶ При опасности повреждения рабочим инструментом скрытой электропроводки держите электроинструмент за изолированные поверхности для хвата. При контакте с токопроводящей линией металлические части электроинструмента также находятся под напряжением, что может привести к удару электрическим током.
- ▶ Не прикасайтесь к вращающимся деталям/узлам электроинструмента — опасность травмирования!
- ▶ При выполнении работ с электроинструментом надевайте защитные очки, защитную каску, защитные наушники и подходящие респираторы.
- ▶ При замене рабочего инструмента надевайте защитные перчатки. Соблюдайте осторожность при замене рабочего инструмента — контакт с ним может привести к порезам и ожогам.
- ▶ Пользуйтесь защитными очками. Осколки материала могут травмировать тело и глаза.
- ▶ Пыль, возникающая при шлифовании, абразивной обработке, резке и сверлении, может содержать опасные химические вещества. Несколько примеров материалов, содержащих опасные вещества: свинец или краски на свинцовой основе; кирпич, бетон и другие материалы для кладки, природный камень и другие силикатсодержащие изделия; определенные виды древесины, такие как дуб, бук и химически обработанная древесина; асбест или материалы, содержащие асбест. Определите степень воздействия на оператора и окружающих лиц по классу опасности обрабатываемых материалов. Примите необходимые меры для обеспечения безопасного уровня воздействия, например, путем использования подходящих систем пылеудаления или ношения подходящих средств защиты органов дыхания. Общие меры по снижению опасного воздействия:
 - ▶ Работайте в хорошо проветриваемом помещении.
 - ▶ Избегайте длительного контакта с пылью.
 - ▶ Удаляйте пыль с лица и тела.
 - ▶ Носите защитную одежду и промывайте открытые участки, подверженные воздействию, водой с мылом.
- ▶ Чтобы во время работы руки не затекали, время от времени делайте перерывы и упражнения для расслабления и разминки пальцев. Возникающие при длительной работе вибрации могут привести к нарушениям кровоснабжения сосудов или в нервных окончаниях пальцев/кистей рук или в запястьях.

Электрическая безопасность

- ▶ Перед началом работы проверяйте рабочую зону на наличие скрытой электропроводки, газо- и водопроводных труб. Открытые металлические части электроинструмента могут стать проводниками электрического тока или привести к взрыву, если случайно задеть (повредить) электропроводку, газо- или водопровод.

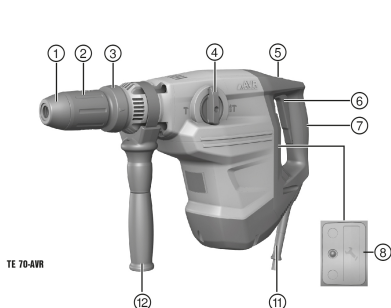
Бережное обращение с электроинструментами и их правильная эксплуатация

- ▶ Немедленно выключайте электроинструмент в случае блокировки рабочего инструмента. Электроинструмент может уводить в сторону.
- ▶ Дождитесь полной остановки электроинструмента, прежде чем убирать его в сторону.



3 Описание

3.1 Обзор устройства 1



- ① Пылезащитный колпак
- ② Зажимной патрон
- ③ Деблокиратор рабочего инструмента
- ④ Переключатель режимов работы
- ⑤ Фиксатор выключателя
- ⑥ Выключатель
- ⑦ Рукоятка
- ⑧ Сервисный индикатор
- ⑩ Кабель электропитания
- ⑫ Боковая рукоятка

3.2 Использование по назначению

Данный электроинструмент представляет собой электрический комбинированный перфоратор с пневматическим ударным механизмом. Он предназначен для сверления в бетоне, кирпичной кладке, древесине и металле. Кроме того, данный электроинструмент может использоваться для выполнения несложных долбежных работ по кирпичной кладке и отделочных работ по бетону.

- ▶ Эксплуатация электроинструмента возможна только при напряжении и частоте электросети, которые соответствуют указанным на заводской табличке.

3.3 Опция AVR

В виде опции электроинструмент может оснащаться системой Active Vibration Reduction (AVR) для заметного снижения вибраций.

3.4 Сервисный индикатор

Электроинструмент оснащен сервисным световым индикатором.

3.4.1 Сервисный индикатор состояния

Состояние	Значение
Сервисный индикатор горит красным.	Срок службы электроинструмента достиг предела, при котором требуется сервисное обслуживание.
Сервисный индикатор мигает красным.	Сдайте комбинированный перфоратор в сервисный центр Hilti для ремонта.

3.5 Комплект поставки

Комбинированный перфоратор, боковая рукоятка, руководство по эксплуатации.

Другие системные принадлежности, допущенные для использования с этим изделием, вы можете найти в **Hilti Store** или на сайте www.hilti.group | США: www.hilti.com

4 Технические данные

i Номинальное напряжение, номинальный ток, частота и/или номинальная потребляемая мощность указаны на заводской табличке (данные могут варьироваться в зависимости от экспортного исполнения).

При запитывании от генератора/трансформатора его выходная мощность должна быть как минимум вдвое выше номинальной потребляемой мощности, которая указана на заводской табличке электро-



инструмента. Рабочее напряжение трансформатора или генератора должно всегда находиться в диапазоне между +5 % и -15 % номинального напряжения электроинструмента.

	TE 70-AVR
Масса согласно методу EPTA 01	8,3 кг
Энергия одиночного удара согласно методу EPTA 05	11,5 Дж
Ø сверла по бетону	12 мм ... 55 мм
Ø сверла по древесине	10 мм ... 32 мм
Ø сверла по металлу	0 мм ... 20 мм

4.1 Данные по шуму и вибрациям согласно EN 62841

Приводимые здесь значения уровня звукового давления и вибрации были измерены согласно стандартизированной процедуре измерения и могут использоваться для сравнения электроинструментов между собой. Они также подходят для предварительной оценки вредных воздействий.

Указанные данные применимы к основным областям применения электроинструмента. Однако, если электроинструмент используется для других целей, с другими рабочими (сменными) инструментами или в случае его неудовлетворительного технического обслуживания, данные могут быть иными. Вследствие этого в течение всего периода работы электроинструмента возможно значительное увеличение вредных воздействий.

Для точного определения вредных воздействий следует также учитывать промежутки времени, в течение которых электроинструмент находится в выключенном состоянии или работает вхолостую. Вследствие этого в течение всего периода работы электроинструмента возможно заметное уменьшение вредных воздействий.

Примите дополнительные меры безопасности для защиты пользователя от воздействия возникающего шума и/или вибраций, например: техническое обслуживание электроинструмента и рабочих (сменных) инструментов, сохранение тепла рук, правильная организация рабочих процессов.

Значения уровня шума

	TE 70-AVR
Уровень звуковой мощности (L_{WA})	113 дБ(A)
Погрешность уровня звуковой мощности (K_{WA})	3 дБ(A)
Уровень звукового давления (L_{pA})	99 дБ(A)
Погрешность уровня звукового давления (K_{pA})	3 дБ(A)

Общие значения вибрации

	TE 70-AVR
Сверление с ударом в бетоне ($a_{h, HD}$)	10,8 м/с ²
Долбление ($a_{h, Ched}$)	9 м/с ²
Коэффициент погрешности (K)	1,5 м/с ²

5 Эксплуатация

5.1 Установка боковой рукоятки 2

ОСТОРОЖНО

Опасность травмирования Потеря контроля над электроинструментом.

► Убедитесь в том, что боковая рукоятка правильно установлена и надежно закреплена. Убедитесь в том, что фиксирующее кольцо установлено в соответствующей канавке на электроинструменте.

► Установите боковую рукоятку.



5.2 Установка/извлечение рабочего инструмента

Использование неподходящей пластичной смазки может стать причиной повреждений электроинструмента. **Используйте только оригинальную пластичную смазку фирмы Hilti.**
Перед каждым использованием проверяйте рабочий инструмент на отсутствие повреждений и неравномерный износ, при необходимости заменяйте его.

- ▶ Установите/извлеките рабочий инструмент.

5.3 Сверление без удара

Сверление без удара возможно с помощью рабочих инструментов со специальным хвостовиком. Вы можете найти подходящую оснастку в каталоге рабочих инструментов **Hilti**.
В быстрозажимном патроне можно зажать, например, сверло по дереву или стали с цилиндрическим хвостовиком и выполнять сверление без удара.

- ▶ Установите переключатель режимов работы в положение «Сверление с ударом» .

5.4 Сверление с ударом (ударное сверление)

- ▶ Установите переключатель режимов работы в положение «Сверление с ударом» .

5.5 Выбор положения зубила

ОСТОРОЖНО

Опасность травмирования! Потеря контроля над направлением долбления.

- ▶ Не работайте с электроинструментом, если переключатель режимов работы находится в положении «Выбор положения зубила». Установите переключатель режимов работы в положение «Долбление» (до щелчка).

Зубило можно установить в 24 разных положениях (с шагом 15°). Благодаря этому плоские и фасонные зубила всегда можно установить в оптимально подходящее для работы положение.

- ▶ Установите переключатель режимов работы в положение «Выбор положения зубила» .

5.6 Долбление

- ▶ Установите переключатель режимов работы в положение «Долбление» .

5.7 Фиксатор выключателя

В режиме долбления выключатель можно зафиксировать в нажатом положении.

- ▶ Нажмите фиксатор выключателя.

6 Уход и техническое обслуживание

ПРЕДУПРЕЖДЕНИЕ

Опасность травмирования вследствие удара электрическим током! Выполнение работ по уходу и обслуживанию с подключенной вилкой кабеля электропитания может привести к тяжелым травмам и ожогам.

- ▶ Перед проведением любых работ по уходу и обслуживанию всегда вынимайте из розетки вилку кабеля электропитания!

Уход

- Осторожно удаляйте налипшую грязь.



- Осторожно очищайте вентиляционные прорези сухой щеткой.
- Очищайте корпус только с использованием слегка увлажненной ткани. Не используйте средства по уходу с содержанием силикона, поскольку они могут повредить пластиковые детали.

Техническое обслуживание

ПРЕДУПРЕЖДЕНИЕ

Опасность вследствие удара электрического тока! Неквалифицированный ремонт компонентов электрической части может привести к получению серьезных травм и ожогам.

- ▶ Ремонт электрической части перфоратора поручайте только специалисту-электрику.
- Регулярно проверяйте все видимые части электроинструмента на отсутствие повреждений, а элементы управления — на исправное функционирование.
- При повреждениях и/или функциональных сбоях не используйте электроинструмент. Сразу сдавайте его в сервисный центр **Hilti** для ремонта.
- После ухода за электроинструментом и его технического обслуживания установите все защитные приспособления на место и проверьте их исправное функционирование.



Для обеспечения безопасной эксплуатации используйте только оригинальные запасные части и расходные материалы. Допущенные нами запасные части, расходные материалы и принадлежности для данного изделия вы можете найти в **Hilti Store** или смотрите на www.hilti.group.

7 Транспортировка и хранение

- Транспортировка электроинструмента с установленным рабочим инструментом запрещается.
- Храните электроинструмент всегда с вынудой вилкой кабеля.
- Храните электроинструмент в сухом виде в недоступном для детей и других лиц, не допущенных к работе с данным электроинструментом, месте.
- После продолжительной транспортировки или длительного хранения перед использованием проверьте электроинструмент на отсутствие повреждений.

8 Помощь при неисправностях

В случае неисправностей, которые не указаны в этой таблице или которые вы не можете устранить самостоятельно, обращайтесь в ближайший сервисный центр **Hilti**.

8.1 Поиск и устранение неисправностей

Неисправность	Возможная причина	Решение
Комбинированный перфоратор не включается.	Отсутствует/прервано электропитание.	▶ Подключите другой электроинструмент и проверьте его функционирование.
	Генератор в режиме ожидания	▶ Подключите к генератору второй потребитель (например, прожектор для стройплощадок). После этого выключите электроинструмент, а затем снова включите его.
	Активирована электронная блокировка пуска после сбоя в электропитании.	▶ Выключите электроинструмент, а затем снова включите его.
	Изношены угольные щетки.	▶ Вызовите для проверки специалиста-электрика, в случае необходимости замените.



Неисправность	Возможная причина	Решение
Нет удара.	Электроинструмент слишком холодный	► Установите комбинированный перфоратор на базовый материал и дайте ему поработать в холостом режиме. При необходимости повторяйте процедуру, пока не заработает ударный механизм.
Комбинированный перфоратор работает не на полную мощность.	Удлинительный кабель слишком длинный и/или имеет недостаточное сечение.	► Используйте удлинительный кабель допустимой длины и/или с достаточным сечением.
	Не полностью нажат основной выключатель.	► Нажмите основной выключатель до упора.
	Слишком низкое напряжение электропитания.	► Подключите электроинструмент к другому источнику электропитания.
Сверло не вращается.	Переключатель режимов работы не зафиксирован или находится в положении «Долбление» T или «Выбор положения зубила» ↯ .	► Установите переключатель режимов работы в положение «Ударное сверление» !T .
Сверло не высвобождается из патрона.	Не полностью оттянут (отжат) зажимной патрон.	► Оттяните зажимной патрон до упора назад и извлеките рабочий инструмент.
	Неправильно установлена боковая рукоятка.	► Ослабьте и правильно установите боковую рукоятку. Рукоятка и ее фиксатор должны зафиксироваться в углублении.
Сервисный индикатор мигает красным.	Неисправности в электроинструменте	► Сдайте электроинструмент для ремонта в сервисный центр Hilti .
Сервисный индикатор горит красным.	Изношены угольные щетки.	► Вызовите для проверки специалиста-электрика, в случае необходимости замените.

9 Утилизация

Большинство материалов, из которых изготовлены электроинструменты **Hilti**, подлежит вторичной переработке. Перед утилизацией следует тщательно рассортировать материалы (для удобства их последующей переработки). Во многих странах фирма **Hilti** уже организовала прием старых (электро)инструментов (изделий) для утилизации. Дополнительную информацию по этому вопросу можно получить в отделе по обслуживанию клиентов или у консультантов по продажам фирмы **Hilti**.



- Не выбрасывайте электрические инструменты, электронные устройства/приборы и аккумуляторы вместе с обычным мусором!

10 RoHS (Директива об ограничении применения опасных веществ)

По этим ссылкам доступна таблица опасных веществ: qr.hilti.com/r1021413

Ссылку в виде QR-кода на таблицу опасных веществ согласно директиве RoHS см. в конце настоящего документа.

11 Гарантия производителя

- С вопросами по поводу гарантийных условий обращайтесь в ближайшее представительство **Hilti**.



Orijinal kullanım kılavuzu

1 Kullanım kılavuzu bilgileri

1.1 Bu kullanım kılavuzu hakkında

- Aleti çalıştırmadan önce bu kullanım kılavuzunu mutlaka okuyunuz. Bu, güvenli çalışma ve arızasız kullanım için ön koşuldur.
- Bu kullanım kılavuzunda ve ürün üzerinde bulunan emniyet ve uyarı bilgilerine dikkat ediniz.
- Kullanım kılavuzunu her zaman ürün üzerinde bulundurunuz ve ürünü sadece bu kullanım kılavuzu ile birlikte başka kişilere veriniz.

1.2 Resim açıklaması

1.2.1 Uyarı bilgileri

Uyarı bilgileri, ürün ile çalışırken ortaya çıkabilecek tehlikelere karşı uyarır. Aşağıdaki uyarı metinleri kullanılır:



TEHLİKE

TEHLİKE !

- Ağır vücut yaralanmalarına veya doğrudan ölüme sebep olabilecek tehlikeler için.



İKAZ

İKAZ !

- Ağır yaralanmalara veya ölüme neden olabilecek tehlikeler için.



DİKKAT

DİKKAT !

- Vücut yaralanmalarına veya maddi hasarlara yol açabilecek olası tehlikeli durumlar için.

1.2.2 Kullanım kılavuzundaki semboller

Bu kullanım kılavuzunda aşağıdaki semboller kullanılmıştır:

	Kullanım kılavuzuna dikkat edilmelidir
	Kullanım uyarıları ve diğer gerekli bilgiler
	Geri dönüşümlü malzemeler ile çalışma
	Elektrikli aletleri ve aküleri evdeki çöplere atmayınız

1.2.3 Çizimlerdeki semboller

Çizimlerde aşağıdaki semboller kullanılmıştır:

	Bu sayılar, kullanım kılavuzunun başlangıcındaki ilgili çizime atanmıştır.
	Çizimlerdeki numaralandırma, önemli çalışma adımlarını veya çalışma adımları için önemli olan yapı parçalarını gösterir. Metinde, bu çalışma adımları veya yapı parçasına karşılık gelen sayılarla vurgulanmıştır, örn. (3).
	Pozisyon numaraları Genel bakış çiziminde kullanılır ve Ürüne genel bakış bölümündeki açıklama numaralarına referans niteliğindedir.
	Bu işaret, ürün ile çalışırken dikkatinizi çekmek için koyulmuştur.

1.3 Ürün ile ilgili semboller

1.3.1 Üründeki semboller

Üründe aşağıdaki semboller kullanılmıştır:



	Darbe ile delme (darbeli delme)
	Keskileme
	Keski konumlandırma
	Koruma sınıfı II (çift izolasyonlu)
n_0	Ölçüm rölanı devir sayısı
/min	Dakika başına devir
RPM	Dakika başına devir
\emptyset	Çap
	Dalgalı akım
	Ürün, iOS ve Android platformları ile uyumlu kablosuz veri aktarımını destekler.

1.4 Ürün bilgileri

HILTI ürünleri profesyonel kullanıcıların kullanımı için öngörülmüştür ve sadece yetkili personel tarafından kullanılabilir ve bakımı yapılabilir. Bu personel, meydana gelebilecek tehlikeler hakkında özel olarak eğitim görmüş olmalıdır. Aletin ve ilgili yardımcı gereçlerin eğitimsiz personel tarafından usulüne uygun olmayan şekilde kullanılması ve amaçları dışında çalıştırılması sonucu tehlikeli durumlar söz konusu olabilir. Tip tanımı ve seri numarası, tip plakası üzerinde belirtilmiştir.

- Seri numarasını aşağıdaki tabloya aktarınız. Ürün bilgileri acente veya servis merkezini aradığınızda sorulabilir.

Ürün bilgileri

Kırıcı-delici	TE 70-AVR
Nesil	03
Seri no.	

1.5 Uygunluk beyanı

Burada tanımlanan ürünün, geçerli yönetmeliklere ve normlara uygun olduğunu kendi sorumluluğumuzda beyan ederiz. Bu dokümantasyonun sonunda uygunluk beyanının bir kopyasını bulabilirsiniz.

Teknik dokümantasyonlar eklidir:

Hilti Entwicklungsgesellschaft mbH | Zulassung Geräte | Hiltistraße 6 | 86916 Kaufering, DE

2 Güvenlik

2.1 Elektrikli el aletleri için genel güvenlik uyarıları

⚠ İKAZ Bu elektrikli el aletine yönelik tüm güvenlik uyarılarını, talimatları, resimli açıklamaları ve teknik verileri dikkatlice okuyunuz. Aşağıdaki talimatlara uyulmaması durumunda elektrik çarpması, yangın ve/veya ağır yaralanmalar söz konusu olabilir.

Tüm güvenlik uyarılarını ve kullanım talimatlarını muhafaza ediniz.

Güvenlik uyarılarında kullanılan "Elektrikli el aleti terimi, şebeke işletimli elektrikli el aletleri (şebeke kablosu ile) veya akü işletimli elektrikli el aletleri (şebeke kablosu olmadan) ile ilgilidir.

İş yeri güvenliği

- **Çalışma alanınızı temiz ve aydınlık tutunuz.** Düzensiz veya aydınlatma olmayan çalışma alanları kazalara yol açabilir.
- **Yanıcı sıvıların, gazların veya tozların bulunduğu patlama tehlikesi olan yerlerde elektrikli el aleti ile çalışmayınız.** Elektrikli el aletleri, toz veya buharı yakabilecek kıvılcım oluşturur.
- **Elektrikli el aletini kullanırken çocukları ve diğer kişileri uzak tutunuz.** Dikkatiniz dağılırsa aletin kontrolünü kaybedebilirsiniz.



Elektrik güvenliği

- ▶ **Elektrikli el aletin bağlantı fişi prize uygun olmalıdır. Fiş hiçbir şekilde değiştirilmemelidir. Adaptör fişini topraklama korumalı elektrikli el aletleri ile birlikte kullanmayınız. Değiştirilmemiş fişler ve uygun prizler elektrik çarpması riskini azaltır.**
- ▶ **Borular, radyatörler, fırınlar ve buzdolapları gibi toprağa temas eden üst yüzeylere vücudunuzla temas etmekten kaçınınız. Vücudunuzun toprakla teması var ise yüksek bir elektrik çarpması riski söz konusudur.**
- ▶ **Elektrikli el aletini yağmurdan veya ıslaklıktan uzak tutunuz. Elektrikli el aletine su girmesi, elektrik çarpması riskini artırır.**
- ▶ **Elektrikli el aletini taşımak, asmak veya fişi prizden çekmek için bağlantı kablosunu kullanım amacı dışında kullanmayınız. Bağlantı kablosunu sıcaktan, yağdan, keskin kenarlardan ve hareketli parçalardan uzak tutunuz. Hasarlı veya dolanmış bağlantı kablolar elektrik çarpması riskini artırır.**
- ▶ **Elektrikli bir el aleti ile açık alanda çalışacaksanız, sadece dışarıda kullanımına izin verilen uzatma kabloları kullanınız. Dış mekanlar için uygun olan uzatma kablolarının kullanılması elektrik çarpması riskini azaltır.**
- ▶ **Elektrikli el aleti işletiminin nemli ortamda yapılması kaçınılmaz ise bir kaçak akım koruma şalteri kullanınız. Bir kaçak akım koruma şalterinin kullanımı elektrik çarpması riskini azaltır.**

Kişilerin güvenliği

- ▶ **Dikkatli olunuz, ne yaptığınıza dikkat ediniz ve elektrikli el aleti ile mantıklı bir şekilde çalışınız. Yorgunsanız veya uyuşturucu, alkol veya ilaç etkisi altında olduğunuzda elektrikli el aleti kullanmayınız. Elektrikli el aletini kullanırken bir anlık dikkatsizlik ciddi yaralanmalara neden olabilir.**
- ▶ **Kişisel koruyucu donanım ve her zaman bir koruyucu gözlük takınız. Elektrikli el aletinin türüne ve kullanımına göre toz maskesi, kaymayan güvenlik ayakkabısı, koruyucu kask veya kulaklık gibi kişisel koruyucu donanımların kullanılmasını yaralanma riskini azaltır.**
- ▶ **İstem dışı çalışmayı önleyiniz. Güç kaynağına ve/veya aküyü bağlamadan, girişini yapmadan veya taşımadan önce elektrikli el aletinin kapalı olduğundan emin olunuz. Elektrikli el aletini taşıırken parmağınız şalterde ise veya alet açık konumda güç kaynağına takılırsa bu durum kazalara yol açabilir.**
- ▶ **Elektrikli el aletini devreye almadan önce ayar aletlerini veya vidalama anahtarlarını çıkartınız. Dönen bir alet parçasında bulunan bir alet veya anahtar yaralanmalara yol açabilir.**
- ▶ **Aşırı bir vücut hareketinden sakınınız. Güvenli bir duruş sağlayınız ve her zaman dengeli tutunuz. Böylece beklenmedik durumlarda elektrikli el aletini daha iyi kontrol edebilirsiniz.**
- ▶ **Uygun kıyafetler giyiniz. Bol kıyafetler giymeyiniz veya takı takmayınız. Saçları, kıyafetleri ve eldivenleri hareket eden parçalardan uzak tutunuz. Bol kıyafetler, takı veya uzun saçlar hareket eden parçalara takılabilir.**
- ▶ **Toz emme ve tutma tertibatları monte edilebiliyorsa bunların bağlı olduğundan ve doğru kullanıldığını emin olunuz. Bu toz emme tertibatının kullanımı tozdan kaynaklanabilecek tehlikeleri azaltabilir.**
- ▶ **Kendi güvenliğinizi riske atmayınız ve elektrikli el aletleri kullanımında son derece tecrübeli olsanız bile ilgili güvenlik kurallarını ihlal etmeyiniz. Dikkatsiz kullanım saniyeler içerisinde ciddi yaralanmalara neden olabilir.**

Elektrikli el aletinin kullanımı ve çalıştırılması

- ▶ **Aleti çok fazla zorlamayın. Çalışmanız için uygun olan elektrikli el aletini kullanın. Uygun elektrikli el aleti ile bildirilen hizmet alanında daha iyi ve güvenli çalışırsınız.**
- ▶ **Şalteri bozuk olan elektrikli el aletini kullanmayınız. Açılıp kapatılmayan bir elektrikli el aleti tehlikelidir ve tamir edilmesi gerekir.**
- ▶ **Alet ayarlarını yapmadan, aksesuar parçalarını değiştirmeden veya aleti bir yere koymadan önce fişi prizden ve/veya (çıkarılabilir) aküyü aletten çıkarınız. Bu önlem, elektrikli el aletinin istem dışı çalışmasını engeller.**
- ▶ **Kullanılmayan elektrikli el aletlerini çocukların erişemeyeceği yerde muhafaza edin. Aleti iyi tanımayan veya bu talimatları okumamış kişilere aleti kullanırmayınız. Elektrikli el aletleri bilgisiz kişiler tarafından kullanılırsa tehlikelidir.**
- ▶ **Elektrikli el aletlerinin ve aksesuarlarının bakımını titizlikle yapınız. Hareketli parçaların kusursuz çalıştığı ve sıkışmadığı, parçaların kırılıp kırılmadığı veya hasar görüp görmediği, elektrikli el aleti fonksiyonlarının kısıtlanma durumlarını kontrol ediniz. Hasarlı parçaları aleti kullanmadan önce tamir ettiriniz. Birçok kazanın nedeni bakımı kötü yapılan elektrikli el aletleridir.**
- ▶ **Kesme aletlerini keskin ve temiz tutun. Özenle bakımı yapılmış keskin bıçak kenarı olan kesme aletleri daha az sıkışır ve kullanımı daha rahattır.**
- ▶ **Elektrikli el aletini, aksesuarları, ek aletleri vb. bu talimatlara göre kullanın. Çalışma şartlarını ve yapılacak işi de ayrıca göz önünde bulundurun. Elektrikli el aletlerinin öngörülen kullanımı dışında kullanılması tehlikeli durumlara yol açabilir.**



- ▶ **Tutamağı ve tutamak yüzeylerini daima temiz ve yağ ve gresten arındırılmış durumda tutunuz.** Kaygan tutamaklar ve tutamak yüzeyleri güvenli bir kullanımı ve öngörülemez durumlarda elektrikli el aletinin kontrolünü engeller.

Servis

- ▶ **Elektrikli el aletinizi sadece kalifiye uzman personele ve sadece orijinal yedek parçalar ile tamir ettiriniz.** Böylece elektrikli el aletinin güvenliğinin korunduğundan emin olunur.

2.2 Matkaplar için güvenlik uyarıları

Tüm çalışmalara yönelik güvenlik uyarıları

- ▶ **Darbeli delme işlemi yaparken kulaklık takınız.** Aşırı sestən dolayı duyma kaybı meydana gelebilir.
- ▶ **İlave tutamağı kullanınız.** Kontrol kaybı yaralanmalara yol açabilir.
- ▶ **Elektrikli el aletini, ek aletin veya civataların gizli elektrik kablolarına veya dahili bağlantı kablosuna temas edebileceği durumlarda izole tutamağından tutunuz.** Elektrik ileten bir hat ile temasta metal parçalar da gerilim altında kalır ve elektrik çarpmasına neden olabilir.

Uzun matkap ucu kullanımına yönelik güvenlik uyarıları

- ▶ **Asla matkap ucu için izin verilen devir sayısının üzerinde bir devir sayısı ile çalışmayınız.** Bunun üzerindeki devir sayılarında matkap ucu hafifçe bükülerek iş parçasına temas etmeden serbestçe dönebilir ve yaralanmalara neden olabilir.
- ▶ **Delme işlemine her zaman düşük devir sayısı ile başlayınız ve matkap ucunun iş parçasına temas etmesini bekleyiniz.** Bunun üzerindeki devir sayılarında matkap ucu hafifçe bükülerek iş parçasına temas etmeden serbestçe dönebilir ve yaralanmalara neden olabilir.
- ▶ **Aşırı baskı uygulamayınız ve sadece matkap ucuna göre uzunlamasına yönde baskı uygulayınız.** Matkap ucu bükülebilir, bu nedenle kırılabilir veya kontrolün kaybedilmesine ve yaralanmalara neden olabilir.

Karıştırıcıların ve karıştırma pedallarının kullanımına yönelik güvenlik uyarıları

- ▶ **Elektrikli el aletini sadece, karıştırma sepeti karıştırılacak malzemenin içinde olduğunda açınız veya kapatınız.** Aksi takdirde kontrol kaybedilebilir ve yaralanma tehlikesi söz konusu olabilir.

2.3 Kırıcı - delici ek güvenlik uyarıları

Kişilerin güvenliği

- ▶ Ürün ve aksesuarı sadece teknik açıdan sorunsuz durumdayken kullanınız.
- ▶ Ürün veya aksesuar üzerinde asla manipülasyon veya değişiklik yapılmamalıdır.
- ▶ Ürünle birlikte verilen ek tutamakları kullanınız. Kontrol kaybı yaralanmalara yol açabilir.
- ▶ Kırma çalışmalarında, çalışılacak yerin karşı tarafında bulunan bölgeyi emniyete alın. Kırılan parçalar dışarı ve / veya yere düşebilir ve diğer kişilerin yaralanmasına sebep olabilir.
- ▶ Ürünü her zaman iki elinizle öngörülen tutamaklardan sıkıca tutunuz. Tutamakları kuru ve temiz tutunuz.
- ▶ Ek aletin gizli elektrik hatlarına temas edebileceği yerlerde çalışıyorsanız, ürünü izole edilmiş tutamak yüzeylerinden tutunuz . Elektrik ileten bir hat ile temasta metal parçalar da gerilim altında kalır ve elektrik çarpmasına neden olabilir.
- ▶ Dönen parçalara temas etmekten kaçınınız - Yaralanma tehlikesi!
- ▶ Ürünün kullanımı sırasında koruyucu gözlük, koruyucu kask, koruyucu kulaklık ve uygun bir solunum koruma maskesi kullanınız.
- ▶ Alet değişimi sırasında koruyucu eldiven takılmalıdır. Ek alete takılan uçlara dokunmak kesik ve yanık türünde yaralanmalara yol açabilir.
- ▶ Koruyucu gözlük kullanın. Etrafa sıçrayan malzeme vücudu ve gözleri yaralayabilir.
- ▶ Taşlama, zımparalama, kesme ve delme işlemleri sonucunda oluşan tozlar tehlikeli kimyasallar içerebilir. Bazı örnekler şunlardır: Kurşun temelli kurşun veya boya; Tuğla, beton ve diğer duvar ürünleri, doğal taş ve diğer silikat içeren ürünler; Meşe, kayın gibi belirli ahşaplar ve kimyasal işlem görmüş ahşap; Asbest veya asbest içerikli malzemeler. Çalışılan malzemenin tehlike sınıfına göre kullanıcının ve çevredeki kişilerin maruziyetini belirleyiniz. Maruziyeti güvenli bir seviyede tutmak için bir toz toplama sisteminin kullanımı veya uygun bir solunum koruma maskesinin kullanımı gibi gerekli önlemleri alınız. Maruziyeti azaltmaya yönelik genel önlemler aşağıdakilerdir:
 - ▶ İyi havalandırılan bir alanda çalışma,
 - ▶ Toz ile uzun süreli temastan kaçınma,
 - ▶ Yüz ve vücuttaki tozları giderme,
 - ▶ Koruyucu kıyafet kullanma ve maruz kalan alanları su ve sabunla yıkama.



- Parmaklarınızdaki kan dolaşımının daha iyi olması için sık sık molalar veriniz ve parmak egzersizleri yapınız. Uzun süren çalışmalarda yüksek titreşim, parmaklar, eller veya bileklerdeki sinir sisteminde veya kan damarlarında rahatsızlıklara neden olabilir.

Elektrik güvenliği

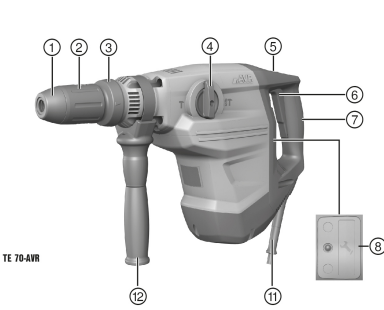
- Çalışmaya başlamadan önce çalışma alanında üzeri örtülü elektrik kablosu, gaz ve su borusu bulunup bulunmadığını kontrol ediniz. Bir elektrik hattına, bir gaz veya su borusuna zarar verilmesi halinde, ürünün dışındaki metal parçalar elektrik çarpmasına veya patlamaya neden olabilir.

Elektrikli el aletleri ile dikkatli çalışılması ve aletin doğru kullanılması

- Ek aletin bloke olması halinde, ürünü derhal kapatınız. Ürün yana doğru kayabilir.
- Yere koymadan önce ürünün tamamen durmasını bekleyiniz.

3 Tanımlama

3.1 Ürüne genel bakış



- ① Tozdan koruma kapağı
- ② Alet bağlantı yeri
- ③ Alet kilit açma sistemi
- ④ Fonksiyon seçme şalteri
- ⑤ Kumanda şalteri kilidi
- ⑥ Kumanda şalteri
- ⑦ Tutamak
- ⑧ Servis göstergesi
- ⑩ Şebeke kablosu
- ⑫ Yan tutamak

3.2 Usulüne uygun kullanım

Açıklanan ürün elektrikle çalışan, pnömatik darbe mekanizmalı bir kırıcı delicidir. Beton, duvar, ahşap ve metal yüzeylerdeki delme işleri için tasarlanmıştır. Bu ürün ayrıca duvardaki hafif-orta keskilme işleri ve beton üzerindeki ilave çalışmalar için de kullanılabilir.

- Çalışma sadece tip plakasında verilen şebeke gerilimi ve frekansta gerçekleştirilmelidir.

3.3 AVR opsiyonu

Üründe opsiyonel olarak titreşimleri önemli ölçüde azaltan Active Vibration Reduction (AVR) sistemi de sunulmaktadır.

3.4 Servis göstergesi

Üründe ışık sinyalli bir servis göstergesi mevcuttur.

3.4.1 Servis göstergesi durumu

Durum	Anlamı
Servis göstergesi kırmızı yanıyor.	Servis ömrüne ulaşıldı.
Servis göstergesi kırmızı yanıp sönüyor.	Kırıcı-delicinin bir Hilti servis merkezinde onarılmasını sağlayınız.

3.5 Teslimat kapsamı

Çok yönlü kırıcı-delici, yan tutamak, kullanım kılavuzu.

Ürünleriniz için izin verilen diğer sistem ürünlerini **Hilti Store** veya şu adreste bulabilirsiniz: www.hilti.group
| USA: www.hilti.com



4 Teknik veriler



Nominal gerilim, nominal akım, frekans ve/veya nominal akım tüketimi değerlerini ülkenize özgü tip plakasında bulabilirsiniz.

Jeneratörlü veya transformatörlü bir işletim durumunda çıkış gücü, aletin tip plakasında belirtilen nominal akım tüketiminin en az iki katı büyüklüğünde olmalıdır. Transformatörün veya jeneratörün çalışma gerilimi her zaman alet nominal geriliminin +%5'i ile %-15'i arasında olmalıdır.

	TE 70-AVR
EPTA Prosedürü 01 uyarınca ağırlık	8,3 kg
EPTA Prosedür 05'a göre tek darbe enerjisi	11,5 J
Ø Darbeli delici	12 mm ... 55 mm
Ø Ahşap delim ucu	10 mm ... 32 mm
Ø Metal delim ucu	0 mm ... 20 mm

4.1 EN 62841 uyarınca ses bilgisi ve titreşim değerleri

Bu talimatlarda belirtilen ses basıncı ve titreşim değerleri, ilgili normlara uygun bir ölçüm metodu ile ölçülmüştür ve elektrikli el aletlerinin birbirleri ile karşılaştırılması için kullanılabilir. Zorlanmaların geçici olarak değerlendirilmesine de uygundur.

Belirtilen değerler, elektrikli el aletinin ana kullanım alanlarını temsil eder. Elektrikli el aletinin, farklı ek aletlerle veya yetersiz bakım yapılmış şekilde kullanılması durumunda, veriler sapma gösterebilir. Bu durum, toplam çalışma süresi boyunca zorlanmayı belirgin şekilde yükseltebilir.

Doğru bir zorlanma değerlendirmesi için elektrikli el aletinin kapatıldığı veya çalışır konumda olduğu ve ayrıca kullanımda olmadığı zamanlar da dikkate alınmalıdır. Bu durum, toplam çalışma süresi boyunca zorlanmayı belirgin şekilde azaltabilir.

Kullanıcıyı ses ve/veya titreşimin etkilerinden koruyacak ek güvenlik önlemleri belirleyiniz, örneğin: Elektrikli el aletinin ve ek aletlerin bakımının yapılması, ellerin sıcak tutulması, iş akışlarının düzenlenmesi.

Ses emisyonu değerleri

	TE 70-AVR
Ses gücü seviyesi (L_{WA})	113 dB(A)
Ses gücü seviyesi için emniyetsizlik (K_{WA})	3 dB(A)
Emisyon ses basıncı seviyesi (L_{pA})	99 dB(A)
Ses basıncı seviyesi için emniyetsizlik (K_{pA})	3 dB(A)

Toplam titreşim değerleri

	TE 70-AVR
Betonda darbeli delme ($a_{h, HD}$)	10,8 m/sn ²
Keskileme ($a_{h, Cheq}$)	9 m/sn ²
Emniyetsizlik (K)	1,5 m/sn ²

5 Kullanım

5.1 Yan tutamak montajı



DİKKAT


Düşen akü nedeniyle Ürünün kontrolünün kaybedilmesi.

► Yan tutamağın doğru monte edildiğinden ve usulüne uygun şekilde sabitlendiğinden emin olunuz. Germe bandının ürünün öngörülen kanalında olduğundan emin olunuz.

► Yan tutamağı monte ediniz.




5.2 Ek aletin takılması/sökülmesi

 Uygun olmayan bir gres kullanılması, alette hasarlara neden olabilir. **Sadece Hilti marka orijinal gres kullanınız.**

Her kullanımdan önce aletin hasarlı olup olmadığını ve düzensiz aşınma olup olmadığını kontrol edin ve gerekirse ilgili parçaları değiştiriniz.

- ▶ Aleti takınız/çıkartınız.

5.3 Darbesiz delme

 Aletleri darbesiz delme, özel matkap uçlu aletlerle mümkündür. **Hilti** alet programında bu tür aletler mevcuttur.

Anahtarsız mandren ile örneğin ahşap veya çelik delim ucu silindir şaftla bağlanabilir ve darbesiz delme işlemi gerçekleştirilebilir.

- ▶ Fonksiyon seçme şalterini "Darbeli delme" konumuna getiriniz .

5.4 Darbe ile delme (darbeli delme)


- ▶ Fonksiyon seçme şalterini "Darbeli delme" konumuna getiriniz .

5.5 Keski konumlandırma

DİKKAT

Yaralanma tehlikesi! Keski yönü kontrolünü kaybetme.

- ▶ "Keski konumlandırma" konumunda çalışmayınız. Fonksiyon seçme şalterini "Keskileme" konumuna oturuncaya kadar döndürünüz.

 Keski, 24 farklı konumda (15°'lik kademelerle) ayarlanabilir. Böylece yassı ve kalıp keski ile her zaman en uygun çalışma konumunda çalışılabilir.

- ▶ Fonksiyon seçme şalterini "Keski konumlandırma" konumuna getiriniz .

5.6 Keskileme

- ▶ Fonksiyon seçme şalterini "Keskileme" konumuna getiriniz .

5.7 Kumanda şalteri kilidi

 Keski çalışma modunda kumanda şalterini açık durumdayken kilitleyebilirsiniz.

- ▶ Kumanda şalteri kilidine basınız.

6 Bakım ve onarım

İKAZ

Elektrik çarpması tehlikesi! Şebeke fişi takılıken yapılan bakım ve onarım çalışmaları ciddi yaralanmalara ve yanıklara neden olabilir.

- ▶ Tüm bakım ve onarım çalışmalarından önce her zaman şebeke fişi çekilmelidir!

Bakım

- Yapışmış olan kir dikkatlice çıkarılmalıdır.
- Havalandırma deliklerini kuru bir fırça ile dikkatlice temizleyiniz.
- Gövde sadece hafif nemli bir bezle temizlenmelidir. Plastik parçalara yapışabileceğinden silikon içerikli bakım maddeleri kullanılmamalıdır.



Bakım



İKAZ

Elektrik çarpması tehlikesi! Elektrikli parçalarda usulüne uygun olmayan onarımlar ciddi yaralanmalara ve yanıklara neden olabilir.

- ▶ Elektrik parçalarındaki onarımlar sadece elektronik uzmanı tarafından yapılabilir.
- Görünür tüm parçalarda hasar olup olmadığı ve kumanda elemanlarının sorunsuz şekilde çalıştığı kontrol edilmelidir.
- Hasar ve/veya fonksiyon arızaları durumunda ürün çalıştırılmamalıdır. Derhal **Hilti** servisi tarafından onarılmalıdır.
- Bakım ve onarım çalışmalarından sonra tüm koruma tertibatları yerleştirilmeli ve fonksiyonları kontrol edilmelidir.



Güvenli çalışma için sadece orijinal yedek parçalar ve sarf malzemeleri kullanınız. Tarafımızdan onaylanmış, yedek parçaları, aksesuarları ve sarf malzemelerini **Hilti Store** veya şu adreste bulabilirsiniz: www.hilti.group.

7 Taşıma ve depolama

- Elektrikli cihazı takımlar takılı iken taşımayınız.
- Elektrikli cihazı daima şebeke fişi çekili olarak saklayınız.
- Aleti çocukların ve yetkisiz kişilerin erişemeyeceği ve kuru yerlerde saklayınız.
- Uzun süren nakliye veya depolama sonrası kullanmadan önce elektrikli aletin hasar görmüş olup olmadığını kontrol ediniz.

8 Arıza durumunda yardım

Bu tabloda listelenmemiş veya kendi başınıza gideremediğiniz arızalarda lütfen yetkili **Hilti** servisimiz ile irtibat kurunuz.


8.1 Hata arama

Arıza	Olası sebepler	Çözüm
Kırcı-delici çalışmıyor.	Şebeke elektriği kesik.	▶ Başka bir elektrikli alet takınız ve çalışıp çalışmadığını kontrol ediniz.
	Jeneratör uyku modunda.	▶ Jeneratörü ikinci bir tüketici (örneğin şantiye lambası) ile yük altına alınız. Ardından aleti kapatınız ve tekrar açınız.
	Elektronik çalışma blokajı güç kaynağı kesikliğinden sonra aktiftir.	▶ Aleti kapatınız ve tekrar açınız.
	Kömür aşınmış.	▶ Elektronik uzmanına kontrol ettiriniz ve gerekirse yeniletiniz.
Darbe yok.	Alet çok soğuk.	▶ Kırcı delici zemine yerleştiriniz ve rölantide çalıştırınız. Darbe mekanizması çalışıncaya kadar gerektiği kadar tekrarlayınız.
Kırcı-delici tam güce sahip değil.	Uzatma kablosu çok uzun ve / veya kesitleri yetersiz.	▶ Uzatma kablosu izin verilen uzunlukta ve / veya yeterli kesitte kullanılmalıdır.
	Kumanda şalteri tam basılı değil.	▶ Kumanda şalterini dayanak noktasına kadar bastırınız.
	Güç kaynağının gerilimi çok düşük.	▶ Aleti başka bir güç kaynağına bağlayınız.



Anıza	Olası sebepler	Çözüm
Matkap ucu dönmüyor.	Fonksiyon seçme şalteri yerine oturmamış veya "Kesileme" T veya "Keski konumlandırma" T konumunda bulunuyor.	► Durma konumunda fonksiyon seçme şalterini "Darbeli delme" IT konumuna getiriniz.
Matkap ucu kilitten çözülmüyor.	Alet bağlantı yeri tam olarak geri çekilmemiş.	► Alet kilidini dayanağa kadar geri çekiniz ve aleti dışarı çıkartınız.
	Yan tutamak doğru monte edilmiş.	► Germe bandı ve yan tutamağın boşluğa oturması için yan tutamak sökülmeli ve doğru monte edilmelidir.
Servis göstergesi kırmızı yanıp sönüyor.	Alette hasar.	► Ürün Hilti Service tarafından onarılmalıdır.
Servis göstergesi kırmızı yanıyor.	Kömür aşınmış.	► Elektronik uzmanına kontrol ettiriniz ve gerekirse yeniletiniz.

9 İmha

 **Hilti** aletleri yüksek oranda geri dönüşümlü malzemelerden üretilmiştir. Geri dönüşüm için gerekli koşul, usulüne uygun malzeme ayırımıdır. Çoğu ülkede **Hilti**, eski aletlerini yeniden değerlendirmek üzere geri alır. Bu konuda **Hilti** müşteri hizmetlerinden veya satış temsilcinizden bilgi alabilirsiniz.



- Elektrikli el aletlerini, elektronik cihazları ve aküleri evdeki çöplere atmayınız!

10 RoHS (Tehlikeli madde kullanımını kısıtlama direktifi)

Tehlikeli maddeler tablosunu aşağıdaki internet bağlantılarında bulabilirsiniz: qr.hilti.com/r1021413
RoHS tablosunun linkini bu dokümanın sonunda QR kodu olarak bulabilirsiniz.

11 Üretici garantisi

- Garanti koşullarına ilişkin sorularınız için lütfen yerel **Hilti** iş ortağınıza başvurunuz.



دليل الاستعمال الأصلي

1 بيانات بخصوص دليل الاستعمال

1.1 خاص بدليل الاستعمال هذا

- اقرأ دليل الاستعمال قبل التشغيل. يعتبر هذا شرطاً للعمل بشكل آمن والاستخدام بدون اختلالات.
- احرص على مراعاة إرشادات الأمان والإرشادات التحذيرية الواردة دليل الاستعمال هذا والمدونة على المنتج.
- احتفظ بدليل الاستعمال دائماً مع هذا المنتج، ولا تعطي المنتج لأشخاص آخرين إلا مع إرفاق دليل الاستعمال هذا معه.

2.1 شرح العلامات

1.2.1 إرشادات تحذيرية

تتبع الإرشادات التحذيرية إلى الأخطار الناشئة عند التعامل مع الجهاز. يتم استخدام الكلمات الدلالية التالية:

⚠ خطر

خطر!

• تشير لخطر مباشر يؤدي لإصابات جسدية خطيرة أو إلى الوفاة.

⚠ تحذير

تحذير!

• تشير لخطر محتمل قد يؤدي لإصابات جسدية خطيرة أو إلى الوفاة.

⚠ احترس!

احترس!

• تشير لموقف خطر محتمل يمكن أن يؤدي لإصابات جسدية أو أضرار مادية.

2.2.1 الرموز في دليل الاستعمال

يتم استخدام الرموز التالية في دليل الاستعمال هذا:

يراعى دليل الاستعمال	
إرشادات الاستخدام ومعلومات أخرى مفيدة.	
التعامل مع مواد قابلة لإعادة التدوير	
لا تتخلص من الأجهزة الكهربائية البطاريات ضمن القمامة المنزلية	

3.2.1 الرموز في الصور

تستخدم الرموز التالية في الرسوم التوضيحية:

2	تشير هذه الأعداد إلى الصورة المعنية في بداية دليل الاستعمال هذا.
3	تشير الأرقام في الصور إلى خطوات العمل المهمة أو إلى الأجزاء المهمة لخطوات العمل. يتم إبراز هذه الخطوات أو الأجزاء في النص من خلال الأرقام، على سبيل المثال (3).
11	يتم استخدام أرقام المواضيع في صورة العرض العام وهي تشير إلى أرقام تعليق الصورة في فصل عرض عام للمنتج.
!	هذه العلامة من شأنها أن تثير انتباهك جيداً عند التعامل مع المنتج.



3.1 الرموز المرتبطة بالمنتج

1.3.1 الرموز على المنتج

يتم استخدام الرموز التالية على المنتج:

	الثقب بالطرق (الثقب المطرق)
	الثقب بالإنزيميل
	تحديد موضع الإنزيميل
	فئة الحماية II (عزل مزدوج)
n_0	عدد اللغات الاسمي في الوضع المحايد
/min	عدد اللغات في الدقيقة
RPM	عدد اللغات في الدقيقة
\emptyset	القطر
	تيار متردد
	يدعم المنتج عملية نقل البيانات لاسلكياً، والتي تتوافق مع أجهزة آيفون وأندرويد.

4.1 معلومات المنتج

منتجات **HILTI** مصممة للمستخدمين المحترفين ويقتصر استعمالها وصيانتها وإصلاحها على الأشخاص المعتمدين والمدربين جيداً. هؤلاء الأشخاص يجب أن يكونوا قد تلقوا تدريباً خاصاً على الأخطار الطارئة. قد يتسبب الجهاز وأدواته المساعدة في حدوث أخطار إذا تم التعامل معها بشكل غير سليم فنياً من قبل أشخاص غير مدربين أو تم استخدامها بشكل غير مطابق للتعليمات.

يوجد مسمى الطراز والرقم المسلسل على لوحة الصنع.

انقل الرقم المسلسل في الجدول التالي. ستحتاج إلى بيانات المنتج في حالة الاستفسارات الموجهة إلى ممثلينا أو مركز الخدمة.

بيانات المنتج

المطرقة متعددة الأغراض	TE 70-AVR
الجيل	03
الرقم المسلسل	

5.1 بيان المطابقة

نقر على مسؤوليتنا الفردية بأن المنتج المشروع هنا متوافق مع التشريعات والمواصفات المعمول بها. تجد صورة لبيان المطابقة في نهاية هذا المستند.

المستندات الفنية محفوظة هنا:

Hilti Entwicklungsgesellschaft mbH | Zulassung Geräte | Hiltistraße 6 | 86916 Kaufering, DE

2 السلامة

1.2 إرشادات السلامة العامة المتعلقة بالأدوات الكهربائية

⚠ تحذير احرص على قراءة جميع إرشادات السلامة، التوجيهات، الصور التوضيحية والمواصفات الفنية المرفقة مع هذه الأداة الكهربائية. أي تقصير أو إهمال في الالتزام بالتعليمات التالية قد يتسبب في حدوث صق كهربائي، نشوب حريق و/أو وقوع إصابات خطيرة.

احتفظ بجميع مستندات إرشادات السلامة والتعليمات لاستخدامها عند الحاجة إليها فيما بعد.

يقصد بمصطلح «الأداة الكهربائية» المذكور في إرشادات السلامة الأدوات الكهربائية المشغلة بالكهرباء (باستخدام كابل الكهرباء) أو الأدوات الكهربائية المشغلة بالبطاريات (بدون كابل الكهرباء).



سلامة مكان العمل

- حافظ على نطاق عملك نظيفاً ومضاءً بشكل جيد. الفوضى أو أماكن العمل غير المضاءة يمكن أن تؤدي لوقوع حوادث.
- لا تعمل بالأداة الكهربائية في محيط معرض لخطر الانفجار يتواجد به سوائل أو غازات أو أنواع غبار قابلة للاشتعال. الأدوات الكهربائية تولد شرراً يمكن أن يؤدي لإشعال الغبار والأبخرة.
- احرص على إبعاد الأطفال والأشخاص الآخرين أثناء استخدام الأداة الكهربائية. في حالة انصراف انتباهك قد تفقد السيطرة على الجهاز.

السلامة الكهربائية

- يجب أن يكون قابس توصيل الأداة الكهربائية متلائماً مع المقبس. لا يجوز تعديل القابس بأي حال من الأحوال. لا تستخدم قوايس مهايأة مع أدوات كهربائية ذات وصلة أرضي محمية. القوايس غير المعدلة والمقابس الملائمة تقلل من خطر حدوث صدمة كهربائية.
- تجنب حدوث تلامس للجسم مع أسطح مؤرضة مثل الأسطح الخاصة بالمواسير وأجهزة التدفئة والمواد والتلجيات. ينشأ خطر متزايد من حدوث صدمة كهربائية عندما يكون جسمك متصلاً بالأرض.
- ابتعد الأدوات الكهربائية عن الأمطار أو البلل. تسرب الماء إلى داخل الأداة الكهربائية يزيد من خطر حدوث صدمة كهربائية.
- لا تستخدم كابل التوصيل لحمل الأداة الكهربائية أو تعليقها أو لسحب القابس من المقبس. احتفظ بكابل التوصيل بعيداً عن السخونة والزيت والحواف المادية والأجزاء المتحركة. كابلات التوصيل التالفة أو المتشابكة تزيد من خطر حدوث صعق كهربائي.
- عندما تعمل بأداة كهربائية في مكان مكشوف، فلا تستخدم سوى كبلات الإطالة المناسبة للعمل في النطاق الخارجي. استخدام كابل إطالة مناسب للعمل في النطاق الخارجي يقلل من خطر حدوث صعق كهربائي.
- إذا تعذر تجنب تشغيل الأداة الكهربائية في محيط رطب، فاستخدم مفتاح حماية من تسرب التيار. استخدام مفتاح الحماية من تسرب التيار يقلل خطر حدوث صدمة كهربائية.

سلامة الأشخاص

- كن يقظاً وانتبه لما تفعل وتعامل مع الأداة الكهربائية بتعقل عند العمل بها. لا تستخدم الأداة الكهربائية عندما تكون متعباً أو تحت تأثير المخدرات أو الكحوليات أو العقاقير. فقد يتسبب عدم الانتباه للحظة واحدة أثناء الاستخدام في حدوث إصابات بالغة.
- ارتد تجهيزات وقاية شخصية وارتد دائماً نظارة واقية. ارتداء تجهيزات وقاية شخصية، مثل قناع الوقاية من الغبار وأحذية الأمان المضادة للانزلاق وخوذة الوقاية أو واقي السمع، تبعاً لنوع واستخدام الأداة الكهربائية، يقلل من خطر الإصابات.
- تجنب التشغيل بشكل غير مقصود. تأكد أن الأداة الكهربائية مطفأة قبل توصيلها بالكهرباء و/أو بالبطارية وقبل رفعها أو حملها. إذا كان إصبعك على المفتاح عند حمل الأداة الكهربائية أو كان الجهاز في وضع التشغيل عند التوصيل بالكهرباء، فقد يؤدي ذلك لوقوع حوادث.
- ابتعد أدوات الضبط أو مفاتيح ربط البراغي قبل تشغيل الأداة الكهربائية. الأداة أو المفتاح المتواجد في جزء دوار من الجهاز يمكن أن يؤدي لحدوث إصابات.
- تجنب اتخاذ وضع غير طبيعي للجسم. احرص على أن تكون واقفاً بأمان وحافظ على توازنك في جميع الأوقات. من خلال ذلك تستطيع السيطرة على الأداة الكهربائية بشكل أفضل في المواقف المفاجئة.
- ارتد ملابس مناسبة. لا ترتد ملابس فضفاضة أو حلي. احرص على أن يكون الشعر والملابس والقفازات بعيدة عن الأجزاء المتحركة. الملابس الفضفاضة أو الحلي أو الشعر الطويل يمكن أن تشبكت في الأجزاء المتحركة.
- إذا أمكن تركيب تجهيزات شفت وتجميع الغبار، فتأكد أنها موصلة ومستخدمة بشكل سليم. استخدام تجهيزات شفت الغبار يمكن أن يقلل الأخطار الناتجة عن الغبار.
- لا تعتقد بأنك في مأمن عن الخطر ولا تتجاهل تشرعبات السلامة المعنية للأدوات الكهربائية، حتى وإن كنت على دراية بالأداة الكهربائية بعد تكرار استخدامها. التعامل مع الجهاز بدون حذر قد يؤدي إلى وقوع إصابات بالغة في جزء من الثانية.

استخدام الأداة الكهربائية والتعامل معها

- لا تفرط في التحميل على الجهاز. استخدم الأداة الكهربائية المناسبة للعمل الذي تقوم به. استخدام الأداة الكهربائية المناسبة يتبع لك العمل بشكل أفضل وأكثر أماناً في نطاق العمل المقرر.
- لا تستخدم أداة كهربائية ذات مفتاح تالف. الأداة الكهربائية التي لم يعد يمكن تشغيلها أو إطفائها تمثل خطراً ويجب إصلاحها.



- ◀ اسحب القابس من المقبس و/أو اخلع البطارية القابلة للخلع من الجهاز قبل إجراء عمليات الضبط، أو استبدال أجزاء الملحقات أو عند ترك الجهاز. هذا الإجراء الوقائي يمنع بدء تشغيل الأداة الكهربائية دون قصد.
 - ◀ احتفظ بالأدوات الكهربائية غير المستخدمة بعيدا عن متناول الأطفال. لا تسمح باستخدام الجهاز من قبل أشخاص ليسوا على دراية به أو لم يقرأوا هذه التعليمات. الأدوات الكهربائية خطيرة في حالة استخدامها من قبل أشخاص ليست لديهم الخبرة الواجبة.
 - ◀ اعتني جيدا بالأدوات الكهربائية والملحقات. افحص الأجزاء المتحركة من حيث أداؤها لوظيفتها بدون مشاكل وعدم انحصارها وافحصها من حيث وجود أجزاء مكسورة أو متعرضة للضرر يمكن أن تؤثر سلبا على وظيفة الأداة الكهربائية. اعمل على إصلاح الأجزاء التالفة قبل استخدام الجهاز. الكثير من الحوادث مصدرها الأدوات الكهربائية التي تم صيانتها بشكل رديء.
 - ◀ حافظ على أدوات القطع حادة ونظيفة. تتميز أدوات القطع ذات حواف القطع المادة المعتنى بها بدقة بأنها أقل عرضة للتعثُر وأسهل في التعامل.
 - ◀ استخدم الأداة الكهربائية والملحقات وأدوات العمل وخلافه طبقا لهذه التعليمات. احرص في هذه الأثناء على مراعاة اشتراطات العمل والمهمة المراد تنفيذها. استخدام الأدوات الكهربائية في تطبيقات غير تلك المقررة لها يمكن أن يؤدي لمواقف خطيرة.
 - ◀ حافظ على المقابض ومواقع المسك في حالة جافة ونظيفة وخالية من الزيت والشحم. المقابض ومواقع المسك الانزلاقية تحول دون استعمال الأداة الكهربائية والتحكم بها بشكل آمن في المواقف غير المتوقعة.
- الخدمة**
- ◀ اعمل على إصلاح أداتك الكهربائية على أيدي فنيين معتمدين فقط والاقصرار على استخدام قطع الغيار الأصلية. وبذلك تتأكد أن سلامة الأداة الكهربائية تظل قائمة.

2.2 إرشادات السلامة للمثاقب

إرشادات السلامة لجميع الأعمال

- ◀ احرص على ارتداء واقية للأذنين عند الثقب بالطرق. لذا يرجى مراعاة أن الضجيج الصاخب يمكن أن يُفقد القدرة على السمع.
 - ◀ استخدم المقبض الإضافي. فقدان السيطرة يمكن أن يؤدي لوقوع إصابات.
 - ◀ أمسك الأداة الكهربائية من نطاقات المسك المعزولة عند إجراء أعمال يتمثل أن تتلامس فيها الأداة المستخدمة أو البراغي مع أسلاك كهربائية مخفية أو سلك الأداة نفسها. حيث أن ملامسة سلك يسري فيه التيار الكهربائي يمكن أن ينقل الجهد الكهربائي للأجزاء المعدنية بالجهاز ويؤدي لحدوث صدمة كهربائية.
- إرشادات السلامة في حالة استخدام ريشة ثقب طويلة**
- ◀ لا تعمل بأي حال من الأحوال بعدد لفات أعلى من عدد اللفات الأقصى المسموح به لريشة الثقب. عند العمل بعدد لفات أعلى يمكن أن تنتهي ريشة الثقب بسهولة، إذا دارت دون تلامس مع قطعة الشغل، وتؤدي إلى وقوع إصابات.
 - ◀ ابدأ عملية الثقب دائمًا بعدد لفات منخفض وعندما تكون ريشة الثقب ملامسة لقطعة الشغل. عند العمل بعدد لفات أعلى يمكن أن تنتهي ريشة الثقب بسهولة، إذا دارت دون تلامس مع قطعة الشغل، وتؤدي إلى وقوع إصابات.
 - ◀ اضغط على ريشة الثقب بدون إفراط وفي اتجاه طولي فقط. فقد تتعرض ريشة الثقب للانثناء والانكسار من جراء ذلك، أو من الممكن أن تفقد السيطرة عليها وتتسبب في وقوع إصابات.
- إرشادات السلامة في حالة استخدام مضارب التقليل وخلطات التقليل**
- ◀ لا تقم بتشغيل أو إيقاف الأداة الكهربائية إلا إذا كان مضرب التقليل موجود في المادة المراد خلطها. وإلا فقد تفقد السيطرة على الأداة وتتعرض لخطر الإصابة.

3.2 إرشادات السلامة الإضافية للمثاقب المطرقي

سلامة الأشخاص

- ◀ اقتصر على استخدام المنتج والملحقات وهم في حالة سليمة من الناحية الفنية.
- ◀ لا تقم أبدًا بأية تدخلات أو تغييرات على المنتج أو الملحقات.
- ◀ استخدم المقابض الإضافية الموردة مع المنتج. فقدان السيطرة يمكن أن يؤدي لوقوع إصابات.
- ◀ أثناء أعمال الثقب قم بتأمين النطاق الواقع على الجهة المقابلة للعمل. الشطايا المتناثرة يمكن أن تتطاير و/أو تسقط وتصيب الآخرين.



- ◀ أمسك الجهاز دائماً بكلتا اليدين من المقابض المخصصة لذلك. حافظ على جفاف ونظافة المقابض.
- ◀ احرص على مسك المنتج من مواضع المسك المعزولة عند إجراء أعمال يحتمل فيها أن تتلامس أداة الشغل مع أسلاك كهربائية مخفية. حيث أن ملامسة سلك يسري فيه التيار الكهربائي يمكن أن ينقل الجهد الكهربائي للأجزاء المعدنية بالجهاز ويؤدي لحدوث صدمة كهربائية.
- ◀ تجنب ملامسة الأجزاء الدوارة - خطر الإصابة!
- ◀ احرص أثناء استخدام المنتج على ارتداء نظارة واقية وخوذة حماية وواق للسمع وكمامة مناسبة للتنفس.
- ◀ قم بارتداء قفازا واقيا أثناء تغيير الأدوات. ملامسة أداة الشغل قد تؤدي لوقوع إصابات بجروح قطعية وإصابة بحروق.
- ◀ استخدم واقياً للعينين. الشظايا المتطايرة يمكن أن تصيب الجسم والعيين.
- ◀ يمكن أن يحتوي الغبار الناتج عن التجليخ والسنفرة والقطع والثقب على مواد كيميائية خطيرة. بعض الأمثلة: الرصاص أو الدهانات التي تحتوي على الرصاص، القرميد والفرسانة ومنتجات البناء الأخرى وأحجار البناء الطبيعية والمنتجات الأخرى المحتوية على السيليكات، بعض الأخشاب مثل البلوط والزنان والأخشاب المعالجة كيميائياً، الأسبستوس أو الخامات المحتوية على الأسبستوس. قم بتحديد مدى تعرض المستخدم والأشخاص المحيطين لفئة خطر الخامات التي يجري العمل عليها. اتخذ التدابير اللازمة للمحافظة على مدى التعرض في مستوى آمن، على سبيل المثال، استخدام نظام تجميع الغبار أو ارتداء كمامة مناسبة للتنفس. تشمل التدابير العامة للحد من مدى التعرض ما يلي:
- ◀ العمل في نطاق جيد التهوية،
- ◀ تجنب ملامسة الغبار لفترة طويلة،
- ◀ إزالة الغبار عن الوجه والجسم،
- ◀ ارتداء بزة واقية وغسل المناطق المكشوفة بالماء والصابون.
- ◀ خذ قسطاً من الراحة بشكل متكرر وقم بتمارين استرخاء لسريان الدم في الأصابع بشكل أفضل. عند القيام بأعمال لفترات طويلة، فقد تحدث اضطرابات في الأوعية الدموية أو الجهاز العصبي بسبب كثرة الاهتزازات على الأصابع أو الأيدي أو معصم اليد.

السلامة الكهربائية

- ◀ قبل بدء الأعمال افحص نطاق العمل من حيث وجود توصيلات كهربائية مدفونة أو مواسير للغاز والماء. الأجزاء المعدنية الخارجية بالمنتج يمكن أن تتسبب في صدمة كهربائية أو انفجار، إذا قمت بإتلاف إحدى توصيلات التيار أو ماسورة الغاز أو الماء.

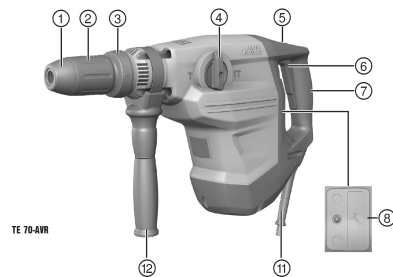
الاستخدام والتعامل بعناية مع الأدوات الكهربائية

- ◀ قم بإيقاف المنتج على الفور، بمجرد تعرض أداة الشغل للإعاقة. يمكن أن ينحرف الجهاز جانباً.
- ◀ انتظر حتى يتوقف المنتج قبل تخزينه.

3 الشرح

1.3 نظرة عامة على المنتج

- ① غطاء الحماية من الغبار
- ② طرف تركيب الأدوات
- ③ وسيلة تحرير الأداة
- ④ مفتاح اختيار الوظيفة
- ⑤ مثبت مفتاح التحكم
- ⑥ مفتاح التحكم
- ⑦ المقبض
- ⑧ مبین الخدمة
- ⑨ كابل الكهرباء
- ⑩ المقبض الجانبي



2.3 الاستخدام المطابق للتعليمات

المنتج المشروح عبارة عن مطرقة متعددة الأغراض مشغلة بالكهرباء ومزودة بطارق نيوماتيكي. وهو مخصص لأعمال الثقب في الخرسانة والجدران، الأخشاب والمعادن. علاوة على ذلك يمكن استخدام المنتج في الأعمال الخفيفة والمتوسطة التي يتم فيها استخدام الإزميل للنقر في الجدران والأعمال اللاحقة التي تتم على الخرسانة. ◀ يجب ألا يتم التشغيل إلا بالتردد والجهد الكهربائي المذكورين على لوحة الصنع.

3.3 الخيار AVR

يمكن اختيارياً تجهيز المنتج بنظام (AVR) Active Vibration Reduction، والذي بمقدوره خفض الاهتزازات بشكل ملحوظ.

4.3 مابين الخدمة

المنتج مزود بمابين خدمة به إشارة صوتية.

1.4.3 حالة مابين الخدمة

الحالة	الاستعمال
يضيء مابين الخدمة باللون الأحمر.	هذا يعني أنه حان موعد إجراء الخدمة.
يومض مابين الخدمة باللون الأحمر.	اعمل على إصلاح المطرقة متعددة الأغراض لدى مركز خدمة Hilti.

5.3 مجموعة التجهيزات الموردة

المطرقة متعددة الأغراض، المقبض الجانبي، دليل الاستعمال.
تجد المزيد من منتجات النظام المسموح بها لمنتجك لدى متجر Hilti Store أو على: www.hilti.group | الولايات المتحدة الأمريكية: www.hilti.com

4 المواصفات الفنية

يرجى التعرف على الجهد الاسمي والتيار الاسمي والتردد و/أو الاستهلاك الاسمي من لوحة صنع الجهاز الخاصة بالبلد المعني.

في حالة التشغيل من مولد أو محمول، فإنه يجب ألا تقل قدرة الفرج الخاصة به عن ضعف قدرة الدخل الاسمية الواردة على لوحة صنع الجهاز. جهد تشغيل المحمول أو المولد يجب أن يكون دائماً في نطاق +5% و -15% من الجهد الكهربائي الاسمي للجهاز.

الوزن طبقاً لبروتوكول EPTA 01	8.3 كجم
طاقة الطرق الفردي طبقاً لبروتوكول EPTA 05	11.5 جول
Ø ريشة ثقب دقاقة	12 مم ... 55 مم
Ø ريشة ثقب الأخشاب	10 مم ... 32 مم
Ø ريشة ثقب المعادن	0 مم ... 20 مم

1.4 قيم الضوضاء والاهتزاز طبقاً للمواصفة EN 62841

تم قياس ضغط الصوت وقيم الاهتزاز الواردة في هذا الدليل طبقاً لأحد معايير القياس المحددة ويمكن الاستعانة بها في إجراء مقارنة بين الأدوات الكهربائية مع بعضها البعض. وهي مناسبة أيضاً لتقدير حجم المخاطر بصورة أولية.

المواصفات الواردة تتعلق بالاستخدامات الأساسية للأداة الكهربائية. أما إذا تم استخدام الأداة الكهربائية في تطبيقات أخرى مع أدوات شغل مخالفة للمواصفات أو دون صيانة كافية، ففي هذه الحالة قد تختلف المواصفات. وقد يزيد هذا من نسبة المخاطر طوال مدة العمل بصورة واضحة.

وللحصول على تقدير دقيق لحجم المخاطر ينبغي أيضاً مراعاة الأوقات التي يتم فيها إيقاف الجهاز أو التي يتم فيها تشغيل الجهاز ولكن دون استخدام حقيقي. وقد يقلل هذا من نسبة المخاطر طوال مدة العمل بصورة واضحة.



احرص على اتخاذ إجراءات إضافية للسلامة من شأنها حماية المستخدم من تأثير الضجيج و/أو الاهتزازات مثل: صيانة الأداة الكهربائية وأدوات الشغل والمفاظ على الأيدي في حالة دافئة وتنظيف مراحل العمل.

قيم الضجيج المنبعث

TE 70-AVR		
113 ديسيبل (A)	مستوى شدة الصوت (L_{WA})	
3 ديسيبل (A)	نسبة التفاوت لمستوى شدة الصوت (K_{WA})	
99 ديسيبل (A)	مستوى ضغط الصوت المنبعث (L_{pA})	
3 ديسيبل (A)	نسبة التفاوت لمستوى ضغط الصوت (K_{pA})	

قيم الاهتزاز الإجمالية

TE 70-AVR		
10.8 م/ثانية ²	الثقب بالطرق في الخرسانة ($a_{h, HD}$)	
9 م/ثانية ²	التقر بالإزميل ($a_{h, Chisel}$)	
1.5 م/ثانية ²	نسبة التفاوت (K)	

5 الاستعمال

1.5 تركيب المقبض الجانبي 2

⚠ احترس:

خطر الإصابة بفقدان السيطرة على المنتج.

• تأكد أن المقبض الجانبي مركب ومثبت بشكل سليم. تأكد من تواجد شريط الشد في الحز المخصص له بالمنتج.

• قم بتركيب المقبض الجانبي.

2.5 تركيب/خلع أداة الشغل 3

قد يؤدي استخدام شحم غير مناسب إلى تعرض الجهاز للضرر. اقتصِر على استخدام الشحم الأصلي من Hilti.

قبل كل استخدام، افحص الأداة للتأكد من عدم وجود أضرار بها وتأكل غير متساو وقم باستبدالها عند اللزوم.

• قم بتركيب/خلع الأداة.

3.5 الثقب بدون طرق 4

يمكن إجراء الثقب بدون طرق باستخدام عدد مزودة بطرف إدخال خاص. تتاح العدد التالية ضمن برنامج العدد من Hilti.

يمكن باستخدام الظرف سريع الربط تثبيت ريشة ثقب الخشب أو ريشة ثقب الفولاذ على سبيل المثال في ساق أسطوانية مع القيام بالثقب بدون طرق.

• اضبط مفتاح اختيار الوظيفة على وضع "الثقب المطرقي" T.

4.5 الثقب بالطرق (الثقب المطرقي) 5

• اضبط مفتاح اختيار الوظيفة على وضع "الثقب المطرقي" T.



5.5 تحديد موضع الإزميل

⚠️ احترس:

خطر الإصابة! فقدان السيطرة على اتجاه الإزميل.
 ◀ لا تعمل في وضع «تحديد موضع الإزميل». اضبط مفتاح اختيار الوظيفة على وضع "النقر بالإزميل"، إلى أن يستقر في موضعه.

i يمكن ضبط الإزميل على 24 وضع مختلف (في خطوات مقدار كل منها 15°). وبذلك يمكن دائما العمل بالإزميل المفلطح وإزميل التشكيل في وضع العمل المثالي المناسب.

◀ اضبط مفتاح اختيار الوظيفة على وضع "تحديد موضع الإزميل" ->

6.5 النقر بالإزميل

◀ اضبط مفتاح اختيار الوظيفة على وضع "النقر بالإزميل" T.

7.5 مثبت مفتاح التحكم

i يمكن في وضع تشغيل الإزميل تثبيت حركة مفتاح التحكم أثناء التشغيل.

◀ اضغط على مثبت مفتاح التحكم.

6 العناية والصيانة

⚠️ تحذير

خطر بسبب حدوث صدمة كهربائية! إجراء أعمال العناية والصيانة بينما القابس الكهربائي مركب قد يتسبب في إصابات بالغة والإصابة بحروق.
 ◀ احرص على سحب القابس الكهربائي قبل جميع أعمال الإصلاح والعناية!

العناية

- قم بإزالة الاتساخ الملتصق بحرص.
- قم بتنظيف فتحات التهوية بحرص باستخدام فرشاة جافة.
- نظف جسم الجهاز باستخدام قطعة قماش مبللة بعض الشيء. لا تستخدم مواد عناية تحتوي على السيليكون لما قد تتسبب فيه من الإضرار بالأجزاء البلاستيكية.

الصيانة

⚠️ تحذير

خطر الصعق الكهربائي! قد تؤدي أعمال الصيانة التي تتم على الأجزاء الكهربائية بشكل غير سليم إلى حدوث إصابات خطيرة وإصابة بحروق.
 ◀ لا يجوز إجراء إصلاحات على الأجزاء الكهربائية إلا من خلال متخصصين في الكهرباء.

- افحص جميع الأجزاء المرئية من حيث وجود أضرار وافحص عناصر الاستعمال من حيث كفاءتها الوظيفية.
- في حالة وجود أضرار و/أو اختلالات وظيفية لا تقم بتشغيل المنتج. احرص على الفور على إصلاحه لدى مركز خدمة Hilti.
- بعد أعمال العناية والإصلاح قم بتركيب جميع تجهيزات الحماية وافحصها من حيث الأداء الوظيفي.

i للتشغيل الآمن اقتصر على استخدام قطع الغيار الأصلية وخامات الشغل. تجد قطع الغيار وخامات الشغل والملحقات المصريح بها من قبلنا للمنتج الخاص بك في متجر **Hilti Store** أو على موقع الإنترنت: www.hilti.group

7 النقل والتخزين

- لا تنقل الجهاز الكهربائي بينما الأداة مدخلة فيه.
- عند تخزين الجهاز الكهربائي احرص دائما على سحب القابس الكهربائي.



- احرص على جفاف الجهاز والاحتفاظ به بعيداً عن تناول الأطفال والأشخاص غير المصرح لهم عند تخزينه.
- بعد النقل لمسافة طويلة أو التخزين افحص الجهاز الكهربائي من حيث وجود أضرار.

8 المساعدة في حالات الاختلالات


عند حدوث اختلالات غير مذكورة في الجدول أو يتعذر عليك معالجتها بنفسك، فيرجى التوجه إلى مركز خدمة Hilti.

1.8 تقصي الأخطاء

الخلل	السبب المحتمل	الحل
المطرقة متعددة الأغراض لا تبدأ في العمل.	انقطاع الإمداد بالتيار الكهربائي.	◀ قم بتوصيل جهاز كهربائي آخر وافحص التشغيل.
	المولد الكهربائي في خاصية السبات.	◀ قم بتشغيل جهاز كهربائي آخر (مثل مصباح إضاءة موقع البناء) من المولد الكهربائي. قم بعد ذلك بإيقاف الجهاز ثم أعد تشغيله.
	تم تفعيل مانع بدء التشغيل الإلكتروني بعد فترة انقطاع التيار الكهربائي.	◀ قم بإيقاف الجهاز ثم أعد تشغيله.
	الكربون متآكل.	◀ افحصه على يد متخصص في الكهرباء وقم بتغييره إذا لزم الأمر.
لا يتولد طرق.	الجهاز بارد للغاية.	◀ قم بتركيب المطرقة متعددة الأغراض على الأرض واتركها تدور على الوضع المحايد. عند اللزوم كرر هذه العملية حتى يعمل الطارق.
المطرقة متعددة الأغراض لا تعمل بكامل قدرتها.	كابلات الإطالة طويلة للغاية و/أو ذو مقطع عرضي ضئيل للغاية.	◀ استخدم كابلات إطالة ذات طول مسموح به و/أو ذا مقطع عرضي كاف.
	مفتاح التحكم ليس مضغوطاً تماماً.	◀ اضغط مفتاح التحكم تماماً حتى النهاية.
	الجهد الكهربائي بمصدر الإمداد بالجهد الكهربائي منخفض للغاية.	◀ قم بتوصيل الجهاز بمصدر آخر للإمداد بالجهد الكهربائي.
ريشة الثقب لا تدور.	مفتاح اختيار الوظيفة غير ثابت أو في وضع "النقر بالإزميل" T أو "تحديد موضع الإزميل" -.	◀ أثناء التوقف اجعل مفتاح اختيار الوظيفة على وضع "الثقب المطرقي" T.
ريشة الثقب لا تتحرر من وضع إحكام القفل.	لم تقم بإرجاع طرف تركيب الأدوات حتى النهاية تماماً.	◀ قم بإرجاع وسيلة إحكام قفل الأداة حتى النهاية وأخرج الأداة.
	المقبض الجانبي مركب بشكل غير صحيح.	◀ قم بفك المقبض الجانبي وتركيبه بشكل صحيح بحيث يكون شريط الشد والمقبض الجانبي مثبتين في التجويف.
بومض مبین الخدمة باللون الأحمر.	وجود أضرار بالجهاز.	◀ قم بإصلاح الجهاز لدى مركز خدمة Hilti.
يضء مبین الخدمة باللون الأحمر.	الكربون متآكل.	◀ افحصه على يد متخصص في الكهرباء وقم بتغييره إذا لزم الأمر.



♻️ أجهزة Hilti مصنوعة بنسبة كبيرة من مواد قابلة لإعادة التدوير. يشترط لإعادة التدوير أن يتم فصل الغامات بشكل سليم فنياً. في العديد من الدول تقوم شركة Hilti باستغلال الأجهزة القديمة لإعادة تدويرها. وللمعلومات حول ذلك اتصل بخدمة عملاء Hilti أو الموزع القريب منك.

◀ لا تلق الأدوات الكهربائية، الأجهزة الإلكترونية والبطاريات ضمن القمامة المنزلية! 

10 مواصفة RoHS (مواصفة تقييد استخدام المواد الخطيرة)

تجد جدولاً بالمواد الخطرة في الروابط التالية: qr.hilti.com/r1021413
تجد رابطاً بخصوص جدول RoHS في نهاية هذا المستند ككود QR.

11 ضمان الجهة الصانعة

◀ في حالة وجود أية استفسارات بخصوص شروط الضمان، يرجى التوجه إلى وكيل Hilti المحلي التابع لك.



Originālā lietošanas instrukcija

1 Informācija par lietošanas instrukciju

1.1 Par šo lietošanas instrukciju

- Pirms ekspluatācijas sākšanas obligāti izlasiet šo lietošanas instrukciju. Tas ir priekšnoteikums darba drošībai un izstrādājuma lietošanai bez traucējumiem.
- Ievērojiet drošības norādījumus un brīdinājumus, kas atrodami šajā lietošanas instrukcijā un uz izstrādājuma.
- Vienmēr glabājiet lietošanas instrukciju izstrādājuma tuvumā un, nododot izstrādājumu citai personai, vienmēr dotiet līdzīgu šo lietošanas instrukciju.

1.2 Apzīmējumu skaidrojums

1.2.1 Brīdinājumi

Brīdinājumi pievērš uzmanību bīstamībai, kas pastāv, strādājot ar izstrādājumu. Tiek lietoti šādi signālvārdi:

BĪSTAMI!

BĪSTAMI! !

- ▶ Pievērš uzmanību draudošām briesmām, kas var izraisīt smagus miesas bojājumus vai nāvi.

BRĪDINĀJUMS!

BRĪDINĀJUMS! !

- ▶ Pievērš uzmanību iespējamam apdraudējumam, kas var izraisīt smagas traumas vai pat nāvi.

IEVĒROT PIESARDZĪBU!

UZMANĪBU! !

- ▶ Norāda uz iespējami bīstamām situācijām, kas var izraisīt traumas vai materiālos zaudējumus.

1.2.2 Simboli lietošanas instrukcijā

Šajā lietošanas instrukcijā tiek izmantoti šādi simboli:

	Ievērojiet lietošanas instrukciju
	Norādījumi par lietošanu un cita noderīga informācija
	Rīcība ar otrreiz pārstrādājamiem materiāliem
	Neizmetiet elektroiekārtas un akumulatorus sadzīves atkritumos.

1.2.3 Attēlos lietotie simboli

Attēlos tiek lietoti šādi simboli:

	Šie skaitļi norāda uz attiecīgajiem attēliem, kas atrodami šīs lietošanas instrukcijas sākumā.
	Numerācija attēlos norāda uz svarīgām darbībām vai detaļām, kas ir svarīgas noteiktām darbībām. Tekstā šīs darbības vai detaļas ir izceltas, apzīmējot ar atbilstošiem numuriem, piemēram, (3) .
	Pozīciju numuri tiek lietoti attēlā Pārskats un norāda uz leģendas numuriem sadaļā Izstrādājuma pārskats .
	Šī simbola uzdevums ir pievērst īpašu uzmanību izstrādājuma lietošanas laikā.

1.3 Simboli atkarībā no izstrādājuma

1.3.1 Simboli uz izstrādājuma

Uz izstrādājuma tiek lietoti šādi simboli:



	Urbšana ar triecieniem (triecienurbšana)
	Kaļšana
	Kalta pozicionēšana
	Aizsardzības klase II (divkārša izolācija)
n_0	Nominālais apgriezienu skaits tukšgaitā
/min	Apgriezienu skaits minūtē
RPM	Apgriezienu skaits minūtē
\varnothing	Diametrs
	Maiņstrāva
	Izstrādājums atbalsta bezvadu datu pārseni, kas ir saderīga ar iOS un Android platformām.

1.4 Izstrādājuma informācija

izstrādājumi ir paredzēti profesionāliem lietotājiem, un to darbināšanu, apkopi un tehniskā stāvokļa uzturēšanu drīkst veikt tikai kvalificēts, atbilstīgi apmācīts personāls. Personālam ir jābūt labi informētam par iespējamajiem riskiem, kas var rasties darba laikā. Izstrādājums un tā papildaprīkojums var radīt bīstamas situācijas, ja to iztic neprofesionālam personālam vai nelieto atbilstīgi nosacījumiem.

Iekārtas tipa apzīmējums un sērijas numurs ir norādīti uz identifikācijas datu plāksnītes.

- ▶ Ierakstiet sērijas numuru zemāk redzamajā tabulā. Izstrādājuma dati jānorāda, vērsoties mūsu pārstāvēniecībā vai servisā.

Izstrādājuma dati

Kombinētais perforators	TE 70-AVR
Paaudze	03
Sērijas Nr.	

1.5 Atbilstības deklarācija

Uzmanoties pilnu atbildību, mēs apliecinām, ka šeit aprakstītais izstrādājums atbilst šādām direktīvām un standartiem: Atbilstības deklarācijas attēls ir atrodams šīs dokumentācijas beigās.

Tehniskā dokumentācija ir saglabāta šeit:

Hilti Entwicklungsgesellschaft mbH | Zulassung Geräte | Hiltistraße 6 | 86916 Kaufering, DE

2 Drošība

2.1 Vispārīgi drošības norādījumi par darbu ar elektroiekārtām

⚠ BRĪDINĀJUMS! Iepazīstieties ar visiem drošības norādījumiem, instrukcijām, attēliem un tehniskajiem parametriem, kas attiecas uz šo elektroiekārtu. Turpmāk izklāstīto instrukciju neievērošana var izraisīt elektrošoku, ugunsgrēku un/vai nopietnas traumas.

Saglabājiet visus drošības norādījumus un instrukcijas turpmākai lietošanai.

Drošības norādījumos lietotais apzīmējums "elektroiekārta" attiecas uz iekārtām ar tīkla barošanu (ar barošanas kabeli) vai iekārtām ar barošanu no akumulatora (bez kabeļa).

Drošība darba vietā

- ▶ **Uzturiet darba vietā tīrību un kārtību un nodrošiniet labu apgaismojumu.** Nekārtīgā darba vietā vai sliktā apgaismojumā var viegli notikt nelaimes gadījums.
- ▶ **Nestrādājiet ar elektroiekārtu sprādzienbīstamā vidē, kur atrodas uzliesmojoši šķidrumi, gāzes vai putekļi.** Darbības laikā elektroiekārtas mēdz dzirkstēlot, un tas var izraisīt viegli uzliesmojošu putekļu vai tvaiku aizdegšanos.
- ▶ **Lietojot elektroiekārtu, nelaujiet nepiederošām personām un jo īpaši bērniem tuvoties darba vietai.** Citu personu klātbūtne var novērst uzmanību, un tā rezultātā jūs varat zaudēt kontroli pār iekārtu.



Elektrodrošība

- ▶ **Elektroiekārtas kontaktdakšai jāatbilst elektrotīkla kontaktligzdai. Kontaktdakšas konstrukciju nedrīkst nekādā veidā mainīt. Kopā ar elektroiekārtām, kurām ir aizsargzēmējums, nedrīkst lietot adapteru spraudņus.** Neizmaiņātas konstrukcijas kontaktdakša, kas atbilst kontaktligzdai, ļauj samazināt elektrošoka risku.
- ▶ **Darba laikā nepieskarieties sazēmētiem priekšmetiem, piemēram, caurulēm, radiatoriem, plītvīm vai ledusskapjiem.** Pieskaroties sazēmētām virsmām, pieaug risks saņemt elektrisko triecienu.
- ▶ **Nelietojiet elektroiekārtu lietus laikā, nēturiet to mitrumā.** Mitrumam iekļūstot elektroiekārtā, pieaug risks saņemt elektrisko triecienu.
- ▶ **Nenesiet un nepakariniet elektroiekārtu aiz barošanas kabeļa un neraujiet aiz kabeļa, ja vēlaties atvienot iekārtu no elektrotīkla kontaktligzdas. Sargājiet barošanas kabeli no karstuma, eļļas, asām šķautnēm vai kustīgām detaļām.** Bojāts vai sapīņķerējis barošanas kabelis var kļūt par cēloni elektrošokam.
- ▶ **Darbinot elektroiekārtu ārpus telpām, izmantojiet tās pievienošanai vienīgi tādus pagarinātājka-beļus, kas ir paredzēti lietošanai brīvā dabā.** Lietojot elektrokabeļi, kas ir piemērots darbam ārpus telpām, samazinās elektrošoka risks.
- ▶ **Ja elektroiekārtas izmantošana slapjā vidē ir obligāti nepieciešama, lietojiet bojājumstrāvas aizsargslēdzi.** Bojājumstrāvas aizsargslēdža lietošana samazina elektrošoka risku.

Personiskā drošība

- ▶ **Strādājiet ar elektroiekārtu uzmanīgi, darba laikā saglabājiet paškontroli un rīkojieties saskaņā ar veseloto saprātu. Ar elektroiekārtu nedrīkst strādāt personas, kas ir nogurušas vai atrodas narkotiku, alkohola vai medikamentu ietekmē.** Mirkļis neuzmanības, strādājot ar elektroiekārtu, var novest pie nopietnām traumām.
- ▶ **Izmantojiet individuālos aizsardzības līdzekļus un darba laikā vienmēr valkājiet aizsargbrilles.** Individuālo aizsardzības līdzekļu (putekļu aizsargmaskas, neslidošu apavu un aizsargķiveres vai ausu aizsargu) lietošana atbilstoši elektroiekārtas tipam un veicamā darba raksturam ļauj izvairīties no savainojumiem.
- ▶ **Nepieļaujiet iekārtas nekontrolētas ieslēgšanās iespēju. Pirms pievienošanas elektrotīklam, akumulatora ievietošanas, elektroiekārtas satveršanas vai pārvietošanas pārliecinieties, ka tā ir izslēgta.** Ja iekārtas pārvietošanas laikā pirksts atrodas uz slēdža vai ja ieslēgta iekārta tiek pievienota elektrotīklam, var notikt nelaimes gadījums.
- ▶ **Pirms elektroiekārtas ieslēgšanas jānoņem visi regulēšanas piederumi un uzgriežņu atslēgas.** Regulēšanas piederumi vai uzgriežņu atslēga, kas iekārtas ieslēgšanas brīdī atrodas iekārtā, var radīt traumas.
- ▶ **Izvairieties no nedabiskām pozām. Darba laikā vienmēr saglabājiet līdzsvaru un nodrošinieties pret paslīdēšanu.** Tas atvieglos elektroiekārtas vadību neparedzētās situācijās.
- ▶ **Izvēlieties darbam piemērotu apģērbu. Darba laikā nenēsājiet brīvi plandošas drēbes un rotaslietas. Netuviniet matus, apģērbu un aizsargcimdus iekārtas kustīgajām daļām.** Vaļīgas drēbes, rotaslietas un gari mati var ieķerties iekārtas kustīgajās daļās.
- ▶ **Ja elektroiekārtas konstrukcija ļauj pievienot putekļu nosūkšanas vai savākšanas ierīci, sekojiet, lai tā būtu pievienota un tiktu darbināta pareizi.** Putekļu nosūcēja lietošana samazina putekļu kaitīgo ietekmi.
- ▶ **Nezaudējiet modrību un neatkāpieties no elektroiekārtu lietošanas drošības noteikumu ievērošanas arī tad, ja lietojat attiecīgo elektroiekārtu bieži un kārtīgi to pārzināt.** Neuzmanība vienā sekundes daļā var novest pie smagām traumām.

Elektroiekārtas lietošana un apkope

- ▶ **Nepārslodojiet elektroiekārtu. Katram darbam izvēlieties piemērotu iekārtu.** Elektroiekārta darbosies labāk un drošāk pie nominālās slodzes.
- ▶ **Nelietojiet elektroiekārtu, ja ir bojāts tās slēdzis.** Elektroiekārta, ko nevar ieslēgt un izslēgt, ir bīstama un nekavējoties jānodod remontā.
- ▶ **Pirms iestatījumu veikšanas, aprīkojuma daļu nomainīšanas vai iekārtas novietošanas uzglabāšanā atvienojiet kontaktdakšu no elektrotīkla un/vai noņemiet noņemamo akumulatoru.** Šādi jūs novērsīsiet elektroiekārtas nejaušas ieslēgšanās risku.
- ▶ **Elektroiekārtu, kas netiek darbināta, uzglabājiet piemērotā vietā. Neļaujiet lietot iekārtu personām, kas nav iepazīnušas ar tās funkcijām un izlasījušas šo lietošanas instrukciju.** Ja elektroiekārtu lieto nekompetentas personas, tas var apdraudēt cilvēku veselību.
- ▶ **Rūpīgi veiciet elektroiekārtu un to piederumu apkopi. Pārbaudiet, vai kustīgās daļas darbojas bez traucējumiem un neķeras un vai kāda no daļām nav salauzta vai bojāta un tādējādi netraucē elektroiekārtas nevainojamu darbību. Rauģieties, lai pirms iekārtas lietošanas tiktu nomainītas**



vai saremontētas bojātās daļas. Daudzi nelaiemes gadījumi notiek tāpēc, ka elektroiekārtām nav nodrošināta pareiza apkope.

- ▶ **Griezējinstrumentiem vienmēr jābūt uzasinātiem un tīriem.** Rūpīgi kopti griezējinstrumenti ar asām šķautnēm retāk iestrēgst un ir vieglāk vadāmi.
- ▶ **Lietojiet elektroiekārtu, piederumus, maināmos instrumentus utt. saskaņā ar šiem norādījumiem. Jāņem vērā arī konkrētie darba apstākļi un veicamās operācijas īpatnības.** Elektroiekārtu lietošana citiem mērķiem, nekā to ir paredzējusi ražotājfirma, ir bīstama un var izraisīt neparedzamas sekas.
- ▶ **Raugieties, lai rokturu un satveršanas virsmas būtu sausas, tīras, nenotraiņātas ar eļļu un smērvielām.** Ja rokturu vai satveršanas virsmas ir slidenas, nav iespējama droša elektroiekārtas vadība un kontrole neparedzamās situācijās.

Serviss

- ▶ **Uzdodiet elektroiekārtas remontu veikt tikai kvalificētam personālam, kas izmanto vienīgi oriģinālās rezerves daļas.** Tikai tā ir iespējams saglabāt elektroiekārtas funkcionālo drošību.

2.2 Drošības norādījumi darbam ar urbjašānām

Drošības norādījumi visiem darbiem

- ▶ **Triecienurbšanas laikā lietojiet dzirdes aizsardzības aprīkojumu.** Trokšņa iedarbība var izraisīt dzirdes zudumu.
- ▶ **Lietojiet papildu rokturi.** Kontroles zudums var kļūt par cēloni traumām.
- ▶ **Ja pastāv iespēja, ka darba instruments vai skrūves var skart apslēptus elektriskos vadus vai pašas elektroiekārtas pieslēguma kabeli, elektroiekārta vienmēr jātur tikai aiz izolētajām rokturu virsmām.** Saskaroties ar spriegumam pieslēgtiem vadiem, spriegums tiek novadīts uz iekārtas metāla daļām, radot elektrošoka risku.

Drošības norādījumi darbam ar gariem urbjiem

- ▶ **Nekādā gadījumā nestrādājiet ar lielāku rotācijas ātrumu, kas pārsniedz attiecīgajam urbim pieļaujamo maksimālo apgriezību skaitu.** Lielāka rotācijas ātruma gadījumā urbis, griežoties bez saskares ar apstrādājamo materiālu, var viegli saliekties un izraisīt traumas.
- ▶ **Vienmēr sāciet urbšanas procesu ar mazāku apgriezību skaitu un tikai tad, kad urbis atrodas saskarē ar apstrādājamo materiālu.** Lielāka rotācijas ātruma gadījumā urbis, griežoties bez saskares ar apstrādājamo materiālu, var viegli saliekties un izraisīt traumas.
- ▶ **Nespiediet urbi ar pārāk lielu spēku un raugieties, lai spiedienu tiktu izdarīts tikai urbja aksiālajā virzienā.** Urbji var viegli saliekties un salūzt vai izraisīt kontroles zudumu un traumas.

Drošības norādījumi darbam ar maisīšanas uzgaļiem

- ▶ **Ieslēdziet vai izslēdziet elektroiekārtu tikai tad, kad maisīšanas uzgalis ir iegremdēts maisāmajā materiālā.** Pretējā gadījumā ir iespējams kontroles zudums un pastāv traumu risks.

2.3 Papildnorādījumi par perforatora drošību

Personīgā drošība

- ▶ Lietojiet izstrādājumu un tā papildaprīkojumu tikai tad, ja tas ir nevainojamā stāvoklī.
- ▶ Nekādā gadījumā nemēģiniet ietekmēt izstrādājuma vai tā papildaprīkojuma funkcijas vai to pārveidot.
- ▶ Lietojiet kopā ar izstrādājumu piegādātos papildu rokturus. Kontroles zudums var kļūt par cēloni traumām.
- ▶ Pirms laušanas vai urbšanas darbiem, kas šķērso celtnes daļas, atbilstoši jānodrošina attiecīgās celtnes daļas pretējā puse. Atlūzuši materiāla fragmenti var izkrist caur atveri un/vai nokrist un savainot cilvēkus.
- ▶ Vienmēr stingri turiet iekārtu ar abām rokām aiz šim nolūkam paredzētajiem rokturiem. Raugieties, lai rokturi vienmēr būtu sausi un tīri.
- ▶ Ja darba laikā pastāv iespēja, ka instruments var nonākt saskarē ar apslēptiem elektriskajiem vadiem, vienmēr satveriet izstrādājumu aiz izolētajām rokturu virsmām. Saskaroties ar spriegumam pieslēgtiem vadiem, spriegums tiek novadīts uz iekārtas metāla daļām, radot elektrošoka risku.
- ▶ Izvairieties no saskares ar rotējošām daļām. Traumu risks!
- ▶ Izstrādājuma lietošanas laikā valkājiet acu aizsarglīdzekļus, aizsargķiveri, dzirdes aizsarglīdzekļus un piemērotus elpoceļu aizsarglīdzekļus.
- ▶ Instrumenta nomaiņas laikā valkājiet aizsargcimdus. Saskare ar maināmo instrumentu var izraisīt grieztas traumas un apdegumus.
- ▶ Valkājiet aizsargbrilles vai masku. Materiāla šķembas var savainot ķermeni un acis.



- ▶ Putekļi, kas rodas slīpēšanas, griešanas un urbšanas laikā, var saturēt bīstamas ķīmikālijas. Daži piemēri: svins vai krāsas uz svina bāzes; ķieģeļi, betons un citi mūra materiāli, dabīgais akmens un citi silikātus saturoši produkti; noteiktu veidu koksne, piemēram, skābardis, ozols un ķīmiska apstrādāta koksne; azbests vai azbestu saturoši materiāli. Nosakiet ekspozīcijas līmeni, kam pakļauts iekārtas lietotājs un tuvumā esošās personas, vadoties pēc apstrādājamo materiālu bīstamības kategorijas. Veiciet nepieciešamos pasākumus, lai ekspozīcija nesasniegtu kaitīgu līmeni, piemēram, lietojiet putekļu nosūkšanas sistēmu vai piemērotus elpceļu aizsardzības līdzekļus. Vispārīgie ekspozīcijas ierobežošanas pasākumi ir šādi:
 - ▶ darbs labi vēdināmās vietās,
 - ▶ izvairīšanās no ilgstošas saskares ar putekļiem,
 - ▶ putekļu novirzīšana projām no sejas un ķermeņa,
 - ▶ aizsargapģērba valkāšana un savārtītā apģērba mazgāšana ar ūdeni un ziepēm.
- ▶ Biežāk pārtrauciet darbu un izpildiet pirkstu vingrinājumus, kas uzlabo asinsriti. Ilgstoša darba gadījumā spēcīga vibrācija var radīt traucējumus pirkstu, roku vai plaukstu locītavu asinsvadu un nervu sistēmas funkcijās.

Elektrodrošība

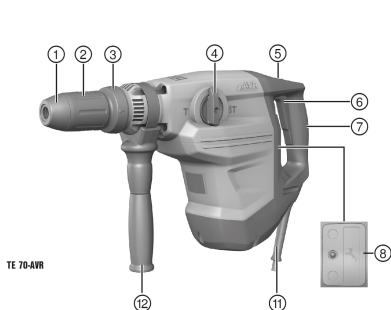
- ▶ Pirms darba sākšanas pārbaudiet, vai darba zonā neatrodas neseģti elektrības vadi, gāzes vai ūdensapgādes caurules. Iekārtas ārējās metāla daļas var izraisīt elektriskās strāvas triecienu vai izraisīt eksploziju, ja darba laikā tiek bojāti elektriskie vadi, gāzes vai ūdens caurules.

Rūpīga elektroiekārtu lietošana un apkope

- ▶ Nekavējoties izslēdziet izstrādājumu, ja nobloķējas darba instruments. Izstrādājums var tikt novirzīts uz sāniem.
- ▶ Pirms novietot izstrādājumu, nogaidiet, līdz pilnībā apstājas tā kustība.

3 Apraksts

3.1 Izstrādājuma pārskats



- ① Putekļu aizsargs
- ② Instrumenta patrona
- ③ Instrumenta atbloķēšana
- ④ Funkciju pārslēdzējs
- ⑤ Vadības slēdža bloķēšana
- ⑥ Vadības slēdzis
- ⑦ Rokturis
- ⑧ Servisa indikācija
- ⑪ Barošanas kabelis
- ⑫ Sānu rokturis

3.2 Nosacījumiem atbilstīga lietošana

Aprakstītais izstrādājums ir elektriski darbināms kombinētais perforators ar pneimatisku triecienmehānismu. Tas ir paredzēts urbšanai betonā, mūrī, kokā un metālā. Bez tam šo izstrādājumu var lietot arī viegliem līdz vidēji smagiem kalšanas darbiem mūrī un betona virsmu apstrādei.

- ▶ Izstrādājuma darbināšanai drīkst lietot tikai uz identifikācijas datu plāksnītes norādīto spriegumu un frekvenci.

3.3 Opcija AVR

Izstrādājums opcijas veidā var būt aprīkots ar sistēmu Active Vibration Reduction (AVR), kas ievērojami samazina vibrāciju.

3.4 Servisa indikācija

Izstrādājumam ir servisa indikācija ar gaismas signālu.



3.4.1 Servisa indikācijas statuss

Statuss	Nozīme
Servisa indikācija deg sarkanā krāsā.	Pienācis laiks servisa darbiem.
Servisa indikācija mirgo sarkanā krāsā.	Nododiet kombinēto perforatoru Hilti servisā, lai veiktu remontu.

3.5 Piegādes komplektācija

Kombinētais perforators, sānu rokturis, lietošanas instrukcija.

Citus šim izstrādājumam izmantojamus sistēmas produktus meklējiet **Hilti Store** vai tīmekļvietnē: www.hilti.group | ASV: www.hilti.com.

4 Tehniskie parametri

Nominālā sprieguma, nominālās strāvas, frekvences un/vai nominālās ieejas jaudas parametri ir norādīti attiecīgajai valstij paredzētajā identifikācijas datu plāksnītē.

Ja šīs iekārtas darbināšanai izmanto ģeneratoru vai transformatoru, tā izejas jaudai jābūt vismaz divreiz lielākai par nominālo ieejas jaudu, kas norādīta uz iekārtas identifikācijas datu plāksnītes. Transformatora vai ģeneratora darba spriegumam vienmēr jābūt iekārtas nominālā sprieguma diapazonā ar pieļaidi +5 % vai -15 %.

	TE 70-AVR
Svars saskaņā ar EPTA procedūru 01	8,3 kg
Atsevišķu triecienu enerģija saskaņā ar EPTA procedūru 05	11,5 J
Ø cietsakausējuma urbis	12 mm ... 55 mm
Ø koka urbis	10 mm ... 32 mm
Ø metāla urbis	0 mm ... 20 mm

4.1 Informācija par troksni un vibrāciju saskaņā ar EN 62841

Šajās instrukcijās norādītie lielumi, kas raksturo skaņas spiedienu un vibrāciju, ir noteikti ar standartizētas mērījumu metodes palīdzību, un tos var izmantot elektroiekārtu savstarpējai salīdzināšanai. Tos var izmantot arī trokšņa un vibrācijas iedarbības pagaidu novērtējumam.

Norādītie parametri attiecas uz elektroiekārtas galvenajiem lietošanas veidiem. Taču, ja elektroiekārta tiek izmantota citos nolūkos, ar citiem maināmajiem instrumentiem vai netiek nodrošināta pietiekama tās apkope, parametri var atšķirties no norādītajiem. Tas var ievērojami palielināt trokšņa un vibrācijas iedarbību visā darba laikā.

Lai precīzi novērtētu iedarbību, jāņem vērā arī laiks, cik ilgi elektroiekārta ir izslēgta vai ir ieslēgta, taču faktiski netiek darbināta. Tas var būtiski samazināt iedarbību kopējā darba laikā.

Jāparedz papildu drošības pasākumi, lai aizsargātu iekārtas lietotāju pret trokšņa un/vai vibrācijas iedarbību, piemēram, elektroiekārtas un apkope, roku turēšana siltumā, darba procesu organizācija.

Skaņas emisijas rādītāji

	TE 70-AVR
Skaņas jaudas līmenis (L_{WA})	113 dB(A)
Skaņas jaudas līmeņa pielaide (K_{WA})	3 dB(A)
Skaņas spiediena līmenis (L_{pA})	99 dB(A)
Skaņas spiediena līmeņa pielaide (K_{pA})	3 dB(A)

Kopējie vibrācijas rādītāji

	TE 70-AVR
Triecienu rādītājs betonā ($a_{h, HD}$)	10,8 m/s ²
Kalšana ($a_{h, Choc}$)	9 m/s ²
Iespējamā kļūda (K)	1,5 m/s ²



5 Lietošana

5.1 Sānu roktura montāža

IEVĒROT PIESARDZĪBU!

Traumu risks Risks zaudēt kontroli pār izstrādājumu.

- ▶ Pārļiecinieties, vai sānu rokturis ir piemontēts pareizi un kārtīgi nostiprināts. Raugieties, lai fiksācijas saite vienmēr atrastos tai paredzētajā izstrādājuma rievā.
- ▶ Piemontējiet atpakaļ vietā sānu rokturi.

5.2 Darba instrumenta ievietošana / izņemšana

Nepiemērotas smērvielas lietošana var izraisīt iekārtas bojājumus. **Lietojiet tikai oriģinālās Hilti smērvielas.**

Pirms katras lietošanas pārbaudiet, vai instruments nav bojāts un nevienmērīgi nodilis, un, ja nepieciešams, apmainiet to.

- ▶ Ievietojiet instrumentu / izņemiet instrumentu.

5.3 Urbšana bez triecienu funkcijas

Urbšana bez triecienu funkcijas ir iespējama, izmantojot instrumentus ar īpašu iespraužamo galu. Šādi instrumenti tiek piedāvāti **Hilti** instrumentu sortimenta ietvaros.

Ātrdarbības patronā var nofiksēt, piemēram, koka urbju vai tērauda urbju, un veikt urbšanu bez triecienu funkcijas.

- ▶ Iestatiet funkciju pārslēdzēju pozīcijā "Triecienuurbšana"

5.4 Urbšana ar triecienu funkciju (perforācija)

- ▶ Iestatiet funkciju pārslēdzēju pozīcijā "Triecienuurbšana"

5.5 Kalta pozicionēšana

IEVĒROT PIESARDZĪBU!

Traumu risks! Risks zaudēt kontroli pār kalšanas virzienu.

- ▶ Nestrādājiet režīmā "Kalta pozicionēšana". Iestatiet funkciju pārslēdzēju pozīcijā "Kalšana" tā, lai tas nofiksējas.

Kaltu iespējams novietot 24 dažādās pozīcijās (ar 15° soli). Pateicoties tam, ar plakano kaltu un profila kaltu vienmēr var strādāt optimālā darba pozīcijā.

- ▶ Iestatiet funkciju pārslēdzēju pozīcijā "Kalta pozicionēšana"

5.6 Kalšana

- ▶ Iestatiet funkciju pārslēdzēju pozīcijā "Kalšana"

5.7 Vadības slēdža bloķēšana

Kalšanas režīmā vadības slēdzi ir iespējams nofiksēt ieslēgtā stāvoklī.

- ▶ Nospiediet vadības slēdža bloķētāju.



6 Apkope un uzturēšana

BRĪDINĀJUMS!

Elektriskā trieciena risks! Apkopes un remonta darbu veikšana, neatvienojot iekārtu no elektrotīkla, var izraisīt smagas traumas un apdegumus.

- ▶ Pirms jebkādiem apkopes un remonta darbiem vienmēr atvienojiet tīkla kontaktdakšu!

Kopšana

- Uzmanīgi notīriet pielīpušos netīrumus.
- Uzmanīgi iztīriet ventilācijas atveres ar sausu birstīti.
- Korpusa tīrīšanai lietojiet tikai nedaudz samitrinātu drāniņu. Nedrīkst lietot silikonu saturošus kopšanas līdzekļus, kas var sabojāt plastmasas daļas.

Uzturēšana

BRĪDINĀJUMS!

Elektrošoka risks! Neprofesionāli veikts elektrisko daļu remonts var kļūt par cēloni smagām traumām un apdegumiem.

- ▶ Elektrisko daļu labošanu var veikt tikai elektrības nozares speciālisti.
- Regulāri pārbaudiet visas redzamās daļas, lai pārliecinātos, ka tās nav bojātas un funkcionē nevainojami.
- Bojājumu un/vai funkciju traucējumu gadījumā izstrādājumu nedrīkst lietot. Tas nekavējoties jānodod **Hilti**, lai veiktu remontu.
- Pēc apkopes un remonta darbiem visas aizsargierīces jāpiemontē vietā un jāpārbauda, vai tās darbojas.

Lai iekārtas lietošana būtu droša, izmantojiet tikai oriģinālās rezerves daļas un patēriņa materiālus. Rezerves daļas un patēriņa materiālus, kuru lietošanu kopā ar šo iekārtu mēs akceptējam, var atrast **Hilti Store** vai tīmekļvietnē: www.hilti.group.

7 Transportēšana un uzglabāšana

- Netransportējiet elektroiekārtu ar tajā ievietotu darba instrumentu.
- Glabāšanas laikā elektroiekārtas barošanas kabeļa kontaktdakšai vienmēr jābūt atvienotai.
- Glabājiet iekārtu sausā vietā, kas nav pieejama bērniem.
- Pirms atsākt iekārtas lietošanu pēc ilgas transportēšanas vai uzglabāšanas, pārbaudiet, vai tā nav bojāta.

8 Traucējumu novēršana

Ja iekārtas darbībā ir radušies traucējumi, kas nav uzskaitīti šajā tabulā vai ko jums neizdodas novērst saviem spēkiem, lūdzu, meklējiet palīdzību mūsu **Hilti** servisā.

8.1 Traucējumu diagnostika

Traucējums	Iespējamais iemesls	Risinājums
Kombinētais perforators neiedarbojas.	Pārtraukta tīkla elektroapgāde.	▶ Pievienojiet citu elektroiekārtu un pārbaudiet, vai tā darbojas.
	Ģenerators atrodas gaidīšanas režīmā.	▶ Radiet ģenerators noslodzi ar cita patērētāja (piemēram, būvniecības lampas) palīdzību. Izslēdziet un vēlreiz ieslēdziet iekārtu.
	Pēc sprieguma padeves pārtraukuma ir aktivēta elektroniskā ieslēgšanās bloķēšana.	▶ Izslēdziet un vēlreiz ieslēdziet iekārtu.
	Nodilušas oglītes.	▶ Jāuzdod veikt pārbaudi un eventuāli nepieciešamo nomaiņu elektrotehnikas speciālistam.



Traucējums	Iespējamais iemesls	Risinājums
Nav triecienu funkcijas.	Iekārta ir pārāk auksta.	► Novietojiet kombinēto perforatoru uz virsmas un padarbinot to tukšgaitā. Ja nepieciešams atkārtojiet šo procesu, līdz triecienu mehānisms iedarbojas.
Kombinētais perforators nedarbojas ar pilnu jaudu.	Pagarinātājkabelis ir pārāk garš un / vai ar nepietiekamu šķērsriezumu.	► Jālieto pieļaujamā garuma pagarinātājkabelis ar pietiekami lielu šķērsriezumu.
	Vadības slēdzis nav nospiests līdz galam.	► Līdz galam nospiediet vadības slēdzi.
	Elektroapgādē nepietiekams spriegums.	► Pievienojiet iekārtu citam sprieguma avotam.
Urbis negriežas.	Funkciju pārslēdzējs nav nofiksējis vai atrodas pozīcijā "Kalšana" T vai pozīcijā "Kalta pozicionēšana"	► Kad iekārta ir izslēgta, iestatiet funkciju pārslēdzēju pozīcijā "Triecienurbšana" .
Urbi nevar atbrīvot no fiksācijas.	Patronas fiksācija nav pilnībā atvilkta atpakaļ.	► Līdz galam atvelciet atpakaļ instrumenta fiksācijas mehānismu un izņemiet instrumentu.
	Nav pareizi piemontēts sānu rokturis.	► Atbrīvojiet sānu rokturi un piemontējiet to pareizi – tā, lai fiksācijas lente un sānu rokturis būtu nofiksēti padziļinājumā.
Servisa indikācija mirgo sarkanā krāsā.	Iekārtas bojājums.	► Nododiet izstrādājumu Hilti servisā, lai veiktu remontu.
Servisa indikācija deg sarkanā krāsā.	Nodilušas ogļītes.	► Jāuzdod veikt pārbaudi un eventuāli nepieciešamo nomaiņu elektrotehnikas speciālistam.

9 Nokalpojušo iekārtu utilizācija

Hilti iekārtu izgatavošanā tiek izmantoti galvenokārt otrreiz pārstrādājami materiāli. Priekšnosacījums otrreizējai pārstrādei ir atbilstoša materiālu šķirošana. Daudzās valstīs **Hilti** pieņem nolietotās iekārtas otrreizējai pārstrādei. Lai saņemtu vairāk informācijas, vērsieties **Hilti** servisā vai pie sava pārdošanas konsultanta.



- Neizmetiet elektroiekārtas, elektroniskas ierīces un akumulatorus sadzīves atkritumos!

10 RoHS (direktīva par bīstamo vielu izmantošanas ierobežošanu)

Lai apskatītu bīstamo vielu tabulu, izmantojiet šādas saites: qr.hilti.com/r1021413
 Saiti uz RoHS tabulu jūs QR koda veidā atradīsiet šīs dokumentācijas beigās.

11 Ražotāja garantija

- Ar jautājumiem par garantijas nosacījumiem, lūdzu, vērsieties pie vietējā **Hilti** partnera.



Originali naudojimo instrukcija

1 Informacija apie naudojimo instrukciją

1.1 Apie šią naudojimo instrukciją

- Prieš pradėdami eksploatuoti, perskaitykite šią naudojimo instrukciją. Tai yra saugaus darbo ir patikimo naudojimo sąlyga.
- Laikykitės saugos ir įspėjamųjų nurodymų, pateiktų šioje naudojimo instrukcijoje ir ant prietaiso.
- Šią naudojimo instrukciją visada laikykite kartu su prietaisu ir prietaisą kitiems asmenims perduokite tik kartu su šia naudojimo instrukcija.

1.2 Ženklų paaiškinimas

1.2.1 Įspėjantieji nurodymai

Įspėjantieji nurodymai įspėja apie pavojus, gresiančius eksploatuojant prietaisą. Naudojami šie signaliniai žodžiai:

PAVOJUS

PAVOJUS !

- ▶ Šis žodis vartojamas norint įspėti apie tiesiogiai gresiantį pavojų, kurio pasekmės yra sunkūs kūno sužalojimai arba žūtis.

ĮSPĖJIMAS

ĮSPĖJIMAS !

- ▶ Šis žodis vartojamas norint įspėti apie galimai gresiantį pavojų, kurio pasekmės gali būti sunkūs kūno sužalojimai arba žūtis.





ATSARGIAI

ATSARGIAI !

- ▶ Šis žodis vartojamas potencialiai pavojingai situacijai žymėti, kai yra kūno sužalojimo arba materialinių nuostolių grėsmė.





1.2.2 Naudojimo instrukcijoje naudojami simboliai

Šioje naudojimo instrukcijoje naudojami tokie simboliai:

	Laikykitės naudojimo instrukcijos
	Naudojimo nurodymai ir kita naudinga informacija
	Rodo, kad juo paženklintą medžiagą galima perdirbti
	Elektrinių prietaisų ir akumuliatorių nemesti į buitines atliekas

1.2.3 Simboliai iliustracijose

Iliustracijose naudojami šie simboliai:

	Šis skaitmenys nurodo atitinkamą paveikslėlį šios naudojimo instrukcijos pradžioje.
	Numeracija paveikslėliuose nurodo svarbius darbinis veiksmus arba darbiniams veiksams svarbias konstrukcines dalis. Tekste šie darbiniai veiksmai arba konstrukcinės dalys išskirtos atitinkamais numeriais, pvz., (3) .
	Pozicijų numeriai naudojami paveikslėlyje Apžvalga – jie nurodo skyrelyje Prietaiso vaizdas esančių paaiškinimų numerius.
	Šiuo ženklu siekiama atkreipti ypatingą dėmesį į naudojamą šiuo prietaisu.



1.3 Specifiniai prietaiso simboliai

1.3.1 Simboliai ant prietaiso

Ant prietaiso naudojami šie simboliai:

	Gręžimas smūgiuojant (smūginis gręžimas)
	Kirtimas kalnu
	Kalno padėties nustatymas
	II apsaugos klasė (su dviguba izoliacija)
n_0	Nominalus tuščiosios eigos sukimosi greitis
/min	Apsisukimai per minutę
RPM	Apsisukimai per minutę
\emptyset	Skersmuo
	Kintamoji srovė
	Prietaisas palaiko belaidį duomenų perdavimą, suderinamą su „iOS“ ir „Android“ platformomis.

1.4 Informacija apie prietaisą

HILTI gaminiai yra skirti profesionalams, todėl juos naudoti, techniškai prižiūrėti ir remontuoti leidžiama tik įgaliotam instruktui personalui. Šis personalas turi būti supažindintas su visais galimais pavojais. Neapmokyto personalo, netinkamai arba ne pagal paskirtį naudojamas prietaisas ir jo reikmenys gali kelti pavojų.

Tipas ir serijos numeris yra nurodyti firminėje duomenų lentelėje.

- ▶ Serijos numerį perkeltkite į toliau nurodytą lentelę. Kreipdamiesi su prietaisu susijusiais klausimais į mūsų atstovybę ar techninės priežiūros centrą, visada nurodykite šiuos prietaiso duomenis.

Prietaiso duomenys

Kombinuotasis perforatorius	TE 70-AVR
Karta	03
Serijos Nr.	

1.5 Atitikties deklaracija

Prisiimdami visą atsakomybę pareiškiame, kad čia yra aprašytas gaminyje atitinka galiojančias direktyvas ir normas. Atitikties deklaracijos kopiją rasite šios instrukcijos gale.

Techninė dokumentacija saugoma čia:

Hilti Entwicklungsgesellschaft mbH | Zulassung Geräte | Hiltistraße 6 | 86916 Kaufering, DE

2 Sauga

2.1 Bendrieji saugos nurodymai dirbantiems su elektriniais įrankiais

⚠️ ĮSPĖJIMAS Perskaitykite visus ant šio elektrinio įrankio esančius saugos nurodymus, instrukcijas, paveikslėlius ir techninius duomenis. Šių nurodymų nesilaikymas gali tapti elektros smūgio, gaisro ir / arba sunkių sužalojimų priežastimi.

Išsaugokite visus saugos nurodymus ir instrukcijas, kad galėtumėte į juos pažvelgti ateityje.

Saugos nurodymuose vartojama sąvoka „elektrinis įrankis“ apibrėžiami iš elektros tinklo maitinami elektriniai įrankiai (turintys maitinimo kabelį) ir iš akumuliatoriaus maitinami elektriniai įrankiai (be maitinimo kabelio).

Sauga darbo vietoje

- ▶ **Pasirūpinkite, kad darbo vieta visada būtų švari ir gerai apšviesta.** Netvarkinga ar blogai apšviesta darbo vieta gali tapti nelaimingų atsitikimų priežastimi.



- ▶ **Nenaudokite elektrinio įrankio sprogoje aplinkoje, kurioje yra degių skysčių, dujų arba dulkių.** Veikiantys elektriniai įrankiai kibirkščiuoja, ir kibirkštys gali uždegti dulkes arba susikaupusius garus.
- ▶ **Dirbdami su elektriniu įrankiu, neleiskite darbo zonoje būti vaikams ir pašaliniais asmenims.** Atitraukę dėmesį nuo darbo, galite nebesuvaldyti prietaiso.

Apsauga nuo elektros

- ▶ **Prietaiso maitinimo kabelio kištukas turi atitikti elektros lizdo tipą.** Kištuko jokia būdu negalima keisti. **Nenaudokite tarpinių kištukų kartu su elektriniais įrankiais, turinčiais apsauginį įžeminimą.** Nepakeisti kištukai ir tinkami elektros lizdai mažina elektros smūgio riziką.
- ▶ **Venkite kūno kontakto su įžemintais paviršiais, pvz., vamzdžiais, šildytuvais, viryklėmis ir šaldytuvais.** Kai žmogaus kūnas yra įžemintas, padidėja elektros smūgio tikimybė.
- ▶ **Elektrinius įrankius saugokite nuo lietaus ir drėgmės.** Į elektrinį įrankį patekus vandens, padidėja elektros smūgio rizika.
- ▶ **Nenaudokite elektros maitinimo kabelio ne pagal paskirtį, t. y. neneškite elektrinio įrankio paėmę už kabelio, nekabinkite jo ant kabelio, netraukite už kabelio, norėdami ištraukti kištuką iš elektros lizdo.** Elektros maitinimo kabelį saugokite nuo karščio, alyvos, aštrių briaunų ar judančių dalių. Pažeisti arba susipynę elektros maitinimo kabeliai didina elektros smūgio riziką.
- ▶ **Jei su elektriniu įrankiu dirbate lauke, naudokite tik tokius ilginimo kabelius, kurie tinka ir lauko darbams.** Naudojant lauko darbams tinkančius ilginimo kabelius, mažėja elektros smūgio rizika.
- ▶ **Jeigu elektrinio įrankio naudojimo drėgnoje aplinkoje negalima išvengti, į elektros tinklą jįjunkite per apsauginę nuotėkio relę.** Apsauginė nuotėkio relė mažina elektros smūgio riziką.

Žmonių sauga

- ▶ **Dirbdami su elektriniu įrankiu, būkite atidūs, sutelkite dėmesį į darbą ir vadovaukitės sveika nuovoka.** Elektrinio įrankio nenaudokite, jeigu esate pavarę arba apsvaigę nuo narkotinių medžiagų, alkoholio ar vaistų. Neatidumo akimirka dirbant su elektriniu įrankiu gali tapti rimtu sužalojimų priežastimi.
- ▶ **Naudokite asmenines apsaugos priemones ir visuomet užsidėkite apsauginius akinius.** Naudojant asmenines apsaugos priemones, pvz., respiratorių, neslystančius apsauginius batus, apsauginį šalną, ausines ir kt., priklausomai nuo elektrinio įrankio tipo ir naudojimo, mažėja rizika susižaloti.
- ▶ **Saugokitės, kad neįjungtumėte prietaiso atsitiktinai.** Prieš prijungdami prie elektros maitinimo tinklo, įdedami akumuliatorių, imdami į rankas ar nešdami, įsitikinkite, kad elektrinis įrankis yra išjungtas. Jeigu nešdami elektrinį įrankį pirštą laikysite ant jungiklio arba įrankį įjungsite į elektros tinklą tuomet, kai jungiklis nėra išjungtas, gali įvykti nelaimingas atsitikimas.
- ▶ **Prieš įjungdami elektrinį įrankį, pašalinkite iš jo reguliavimo įrankius ar veržlinius raktus.** Besisukančioje prietaiso dalyje esantis įrankis ar paliktas raktas gali tapti sužalojimų priežastimi.
- ▶ **Venkite nepatogių kūno padėčių.** Dirbdami stovėkite tvirtai ir visada išlaikykite kūno pusiausvyrą. Taip galėsite geriau kontroliuoti elektrinį įrankį netikėtose situacijose.
- ▶ **Vilkėkite tinkamą aprangą. Nevilkėkite plačių drabužių, nesidėkite papuošalų.** Saugokite plaukus, drabužius ir pirštines nuo besisukančių prietaiso dalių. Laisvus drabužius, papuošalus ir ilgus plaukus gali įtraukti besisukančios prietaiso dalys.
- ▶ **Jei yra numatyta galimybė prijungti dulkių nusiurbimo ar surinkimo įrenginius, visada įsitikinkite, kad jie yra prijungti ir tinkamai naudojami.** Naudojant dulkių nusiurbimo įrenginį, gali sumažėti dulkių keliama grėsmė.
- ▶ **Neturėkite iliuzijų, kad visada esate saugūs, ir, skaitydami naudojimo instrukcijas, nepraleiskite skryplių apie saugų darbą su elektriniais įrankiais, net jeigu per ilgus naudojimo metus esate su savo elektriniu įrankiu susipažinę.** Neatsargus veiksmas per sekundės dalį gali tapti sunkių sužalojimų priežastimi.

Elektrinio įrankio naudojimas ir elgesys su juo

- ▶ **Prietaiso neperkraudkite.** Naudokite Jūsų darbui tinkamą elektrinį įrankį. Su tinkamu elektriniu įrankiu dirbsite geriau ir saugiau, jei neviršysite nurodytos galios.
- ▶ **Nenaudokite elektrinio įrankio su sugedusiu jungikliu.** Elektrinis įrankis, kurio nebegalima įjungti ar išjungti, yra pavojingas ir jį reikia remontuoti.
- ▶ **Prieš prietaisą nustatydami, keisdami reikmenis ar tiesiog padėdami į šalį, visuomet ištraukite maitinimo kabelio kištuką iš elektros lizdo ir / arba iš prietaiso išimkite akumuliatorių.** Ši atsargumo priemonė leis išvengti netikėto elektrinio įrankio įsijungimo.
- ▶ **Nenaudojamus elektrinius įrankius saugokite vaikams nepasiekiamoje vietoje. Neleiskite prietaisu naudotis asmenims, kurie nėra su juo susipažinę arba nėra perskaitę šios instrukcijos.** Elektriniai įrankiai yra pavojingi, kai juos naudoja patirties neturintys asmenys.
- ▶ **Elektrinius įrankius ir reikmenis rūpestingai prižiūrėkite.** Tikrinkite, ar judančios elektrinio įrankio dalys tinkamai funkcionuoja ir niekur neklūva, ar nėra sulūžusių ir pažeistų dalių, kurios blogintų



įrankio veikimą. Prieš naudojimą pažeistos prietaiso dalys turi būti suremontuotos. Blogai prižiūrimi elektriniai įrankiai yra daugelio nelaimingų atsitikimų priežastis.

- ▶ **Pjovimo įrankiai visuomet turi būti aštrūs ir švarūs.** Rūpestingai prižiūrėti pjovimo įrankiai su aštriomis pjovimo briaunomis mažiau stringa ir yra lengviau valdomi.
- ▶ **Elektrinį įrankį, reikmenis, keičiamuosius įrankius ir t. t. naudokite pagal šias instrukcijas. Taip pat atsižvelkite į darbo sąlygas ir atliekamo darbo pobūdį.** Elektrinius įrankius naudojant ne pagal paskirtį, gali kilti pavojingos situacijos.
- ▶ **Prižiūrėkite rankenas, kad jos ir jų laikymo paviršiai visada būtų sausi, švarūs ir neriebaluoti.** Slidžios rankenos ir jų laikymo paviršiai negali užtikrinti elektrinio įrankio saugaus naudojimo ir valdymo kontrolės nenumatytose situacijose.

Techninė priežiūra

- ▶ **Savo elektrinį įrankį patikėkite remontuoti tik kvalifikuotam specialistui, tam jis turi naudoti tik originalias atsargines dalis.** Taip galima užtikrinti, kad bus išlaikytas elektrinio įrankio naudojimo saugumas.

2.2 Saugos nurodymai dirbantiems su elektriniais gręžtuvais

Saugos nurodymai visiems darbam

- ▶ **Vykdydami smūginio gręžimo darbus, užsidėkite ausines.** Triukšmas gali pakenkti klausai.
- ▶ **Naudokite papildomą rankeną.** Prietaisui tapus nebevaldomam, galite susižaloti.
- ▶ **Vykdydami darbus, kurių metu keičiamasis įrankis arba varžtai gali liesti paslėptus elektros laidus ar nuosavą elektros maitinimo kabelį, elektrinį įrankį laikykite tik paėmę už izoliuotų rankenų paviršių.** Dėl kontakto su laidais, kuriais teka elektros srovė, metalinėse prietaiso dalyse taip pat gali atsirasti įtampa, todėl kyla elektros smūgio pavojus.

Saugos nurodymai dėl ilgų grąžtų naudojimo

- ▶ **Jokiu būdu nedirbkite su didesniu sukimosi greičiu, negu nurodytas maksimalus leistinas konkretaus grąžto sukimosi greitis.** Jeigu, neturėdamas kontakto su ruošiniu, grąžtas gali laisvai sukstis, jis gali šiek tiek sulinkti ir sužaloti.
- ▶ **Gręžti visada pradėkite nedideliu sukimosi greičiu ir tik tada, kai grąžtas jau liečia ruošinį.** Jeigu, neturėdamas kontakto su ruošiniu, grąžtas gali laisvai sukstis, jis gali šiek tiek sulinkti ir sužaloti.
- ▶ **Grąžtą spauskite tik išilgine kryptimi, tačiau spaudimas neturi būti per didelis.** Grąžtai gali sulinkti ir dėl to lūžti arba tapti nebevaldomi ir sužaloti.

Saugos nurodymai dėl maišymo strypo gardelių ir plaktuvų naudojimo

- ▶ **Elektrinį įrankį įjunkite ir išjunkite tik tada, kai maišymo strypo gardelė yra maišomojoje medžiagoje.** Priešingu atveju yra pavojus prarasti valdymo kontrolę ir dėl to susižaloti.

2.3 Papildomi saugos nurodymai dirbantiems su perforatoriumi

Žmonių sauga

- ▶ Prietaisą ir priedus naudokite tik tada, kai jie yra techniškai tvarkingi.
- ▶ Prietaisą ir priedus draudžiama keisti ar atlikti kitokius jų pakeitimus.
- ▶ Naudokite prietaiso komplekte esančias papildomas rankenas. Prietaisui tapus nebevaldomam, galite susižaloti.
- ▶ Atlikdami sienų ar grindų pragręžimo ar prakirtimo darbus, apsaugokite kitoje pusėje esančią zoną. Medžiagos skeveldros gali iškristi ir / arba nukristi ir sužaloti kitus žmones.
- ▶ Prietaisą visada laikykite tvirtai, abiem rankomis paėmę už tam skirtų rankenų. Rankenos visada turi būti sauros ir švarios.
- ▶ Vykdydami darbus, kurių metu keičiamasis įrankis gali paliesti paslėptus elektros laidus, prietaisą laikykite paėmę už izoliuotų rankenų paviršių. Dėl kontakto su laidais, kuriais teka elektros srovė, metalinėse prietaiso dalyse taip pat gali atsirasti įtampa, todėl kyla elektros smūgio pavojus.
- ▶ Venkite liesti besisukančias prietaiso dalis – susižalojimo pavojus!
- ▶ Dirbdami su prietaisais, dėvėkite apsauginius akinius, apsauginį šalną, klausos apsaugos priemonę ir tinkamą kvėpavimo takų apsaugos priemonę.
- ▶ Keisdami įrankį, mūvėkite apsaugines pirštines. Liesdami keičiamąjį įrankį, galite susipjaustyti ir nusideginti rankas.
- ▶ Dirbdami užsidėkite akių apsaugos priemonę. Medžiagų skeveldros gali sužaloti odą ir akis.



- ▶ Šlifuojant, pjaustant ir gręžiant kylančiose dulksėse gali būti pavojingų cheminių medžiagų. Štai keli pavyzdžiai: švinas ar dažai švino pagrindu, plytos, betonas ir kiti mūro statiniai, natūralus akmuo ir kiti gaminiai, kurių sudėtyje yra silikato, tam tikra mediena, ažuolas, bukas ir chemiškai apdorota mediena, asbestas arba medžiagos, kurių sudėtyje yra asbesto. Naudodamiesi medžiagų, su kuriomis dirbama, pavojingumo klase, nustatykite poveikį dirbančiajam ir aplink esantiems asmenims. Imkitės būtinų priemonių, užtikrinančių, kad poveikis liktų saugiam lygmenyje, pvz., naudokite dulkių surinkimo sistemą arba dėvėkite tinkamas kvėpavimo apsaugos priemones. Prie bendrųjų priemonių, skirtų poveikiui sumažinti, priskiriama:
 - ▶ darbas gerai vėdinamoje srityje,
 - ▶ ilgesnio kontakto su dulksėmis vengimas,
 - ▶ dulkių nuvedimas nuo veido ir kūno,
 - ▶ apsauginių drabužių dėvėjimas ir užterštų vietų nuplovimas vandeniu ir muilu.
- ▶ Dažnai darykite pertraukas ir pratimus, užtikrinančius geresnę Jūsų pirštų kraujotaką. Dirbant ilgesnį laiką, vibracijos gali sukelti pirštų, plaštakos ar riešo sąnario kraujagyslių ar nervų sistemos pažeidimus.

Apsauga nuo elektros

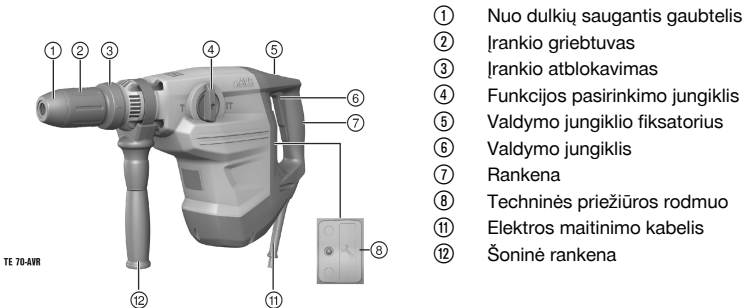
- ▶ Prieš pradėdami dirbti patikrinkite, ar darbo zonoje nėra paslėptų elektros laidų, dujų ar vandentiekio vamzdžių. Netyčia pažeidus elektros kabelį, dujų ar vandens vamzdį, išorinėse metalinėse prietaiso dalyse taip pat gali atsirasti įtampa, kelianti elektros smūgio pavojų, arba gali išskilti sprogo pavojus.

Atsargus elektrinių įrankių naudojimas ir elgesys su jais

- ▶ Keičiamajam įrankiui užsiblokavus, prietaisą nedelsdami išjunkite. Prietaisas gali pakrypti į šoną.
- ▶ Prieš padėdami prietaisą palaukite, kol jis visiškai sustos.

3 Aprašymas

3.1 Prietaiso vaizdas



3.2 Naudojimas pagal paskirtį

Aprašytasis prietaisas yra iš elektros tinklo maitinamas kombinuotasis perforatorius su pneumatiniu smūginiu mechanizmu. Jis yra skirtas betono, mūro, medienos ir metalo gręžimo darbams. Prietaisą taip pat galima naudoti lengviems ir vidutinio sunkumo mūro kirtimo ir papildomiems betono apdailos darbams.

- ▶ Su prietaisu dirbkite tik įjungę jį į elektros tinklą, kurio įtampa ir dažnis atitinka reikšmes, nurodytas prietaiso firminėje duomenų lentelėje.

3.3 Papildomai užsakoma AVR

Prietaise gali būti įrengta papildomai užsakoma Active Vibration Reduction (AVR) sistema, kuri stipriai mažina vibracijas.

3.4 Techninės priežiūros indikatoriumis

Prietaise yra įrengtas techninės priežiūros indikatoriumis su šviesos signalu.



3.4.1 Techninės priežiūros indikatorius būklė

Būsena	Reikšmė
Techninės priežiūros indikatorius šviečia raudona spalva.	Laikas vykdyti techninės priežiūros darbus.
Techninės priežiūros indikatorius mirksi raudona spalva.	Kombinuotajį perforatorių pristatykite remontuoti į Hilti techninės priežiūros centrą.

3.5 Tiekiamas komplektas

Kombinuotasis perforatorius, šoninė rankena, naudojimo instrukcija.

Daugiau Jūsų turimam prietaisui skirtų sisteminių reikmenų rasite vietinėje **Hilti Store** arba tinklalapyje **www.hilti.group** | JAV: **www.hilti.com**

4 Techniniai duomenys



Nominalioji maitinimo įtampa, nominalioji srovė, dažnis ir / arba nominali vartojamoji galia yra nurodyti Jūsų šaliai galiojančioje firminėje duomenų lentelėje.

Prietaisą maitinant iš generatoriaus arba transformatoriaus, šių įrenginių atiduodamoji galia turi būti bent dvigubai didesnė už prietaiso firminėje duomenų lentelėje nurodytą nominalią vartojamąją galią. Generatoriaus arba transformatoriaus darbinės įtampos reikšmė bet kuriuo metu turi būti prietaiso nominalios maitinimo įtampos +5 % ir -15 % ribose.

	TE 70-AVR
Svoris pagal EPTA-Procedure 01	8,3 kg
Smūgio energija pagal EPTA-Procedure 05	11,5 J
Smūginių grąžtų Ø	12 mm ... 55 mm
Medienos grąžtų Ø	10 mm ... 32 mm
Metalo grąžtų Ø	0 mm ... 20 mm

4.1 Informacija apie triukšmą ir vibracijos reikšmės pagal EN 62841

Šiuose nurodymuose pateiktos garso slėgio ir vibracijos reikšmės yra išmatuotos taikant standartizuotą matavimo metodą ir gali būti naudojamos elektriniams įrankiams palyginti tarpusavyje. Jos taip pat tinka šių veiksmų poveikiui iš anksto įvertinti.

Nurodytieji duomenys yra susieti su pagrindinėmis šio elektrinio įrankio naudojimo sritimis. Jeigu elektrinis įrankis bus naudojamas kitaip, su skirtingais keičiamaisiais įrankiais arba bus nepakankamai techniškai prižiūrimas, šie duomenys gali skirtis nuo nurodytųjų. Tai gali gerokai padidinti šių veiksmų poveikį per visą darbo laikotarpį.

Norint tiksliai įvertinti poveikį, reikėtų įvertinti ir laiką, kai elektrinis prietaisas yra išjungtas, arba, nors ir įjungtas, juo faktiškai nedirbama. Toks įvertinimas gali smarkiai sumažinti poveikio per visą darbo laikotarpį reikšmę.

Imkitės papildomų saugos priemonių, kad darbuotojas būtų apsaugotas nuo triukšmo ir / arba vibracijos poveikio, pavyzdžiui, reikalaukite tinkamos elektrinio įrankio ir keičiamųjų įrankių techninės priežiūros, pasirūpinkite, kad darbuotojų rankos visada būtų šiltos, užtikrinkite tinkamą darbo organizavimą.

Skleidžiamo triukšmo lygio reikšmės

	TE 70-AVR
Garso stiprumo lygis (L_{WA})	113 dB(A)
Garso stiprumo lygio paklaida (K_{WA})	3 dB(A)
Skleidžiamo garso slėgio lygis (L_{pA})	99 dB(A)
Garso slėgio lygio paklaida (K_{pA})	3 dB(A)

Suminės vibracijų vertės

	TE 70-AVR
Betono smūginis grėžimas ($a_{h, HD}$)	10,8 m/s ²
Kirtimas kalnu ($a_{h, Chetq}$)	9 m/s ²
Paklaida (K)	1,5 m/s ²



5 Naudojimas

5.1 Šoninės rankenos montavimas

ATSARGIAI

Sužalojimo pavojus Prarasta prietaiso valdymo kontrolė.

- ▶ Įsitinkite, kad šoninė rankena tinkamai sumontuota ir tvarkingai pritvirtinta. Įsitinkite, kad užspaudimo juosta yra atitinkamame prietaiso griovelyje.
- ▶ Sumontuokite šoninę rankeną.

5.2 Keičiamojo įrankio įdėjimas / išėmimas



Naudojant netinkamą tirštąjį tepalą, yra pavojus prietaisą pažeisti. **Naudokite tik originalų Hilti tirštąjį tepalą.**

Prieš kiekvieną naudojimą tikrinkite, ar įrankis nėra pažeistas ir netolygiai nusidėvėjęs; jeigu reikia, jį pakeiskite.

- ▶ Įdėkite / išimkite įrankį.

5.3 Grėžimas be smūgiavimo



Grėžti be smūgiavimo galima įrankiais, turinčiais specialų kotą. Tokių įrankių yra **Hilti** įrankių asortimente ir juos galima įsigyti.

Pavyzdžiui, medienos arba metalo gražtą su cilindrinio kotu galima įtvirtinti greitojo fiksavimo griebtuve ir grėžti be smūgiavimo.

- ▶ Funkcijos pasirinkimo jungiklį nustatykite į padėtį „Smūginis grėžimas“ .

5.4 Grėžimas smūgiuojant (smūginis grėžimas)

- ▶ Funkcijos pasirinkimo jungiklį nustatykite į padėtį „Smūginis grėžimas“ .

5.5 Kalto padėties nustatymas



ATSARGIAI

Sužalojimo pavojus! Kirtimo kalnu krypties valdymo kontrolės praradimas.

- ▶ Nedirbkite, kai funkcijos pasirinkimo jungiklis yra padėtyje „Kalto padėties nustatymas“. Funkcijos pasirinkimo jungiklį nustatykite į padėtį „Smūginis grėžimas“ taip, kad užsifikuotų.



Kaltą galima fiksuoti 24-iose padėtyse (15° žingsniu). Todėl plokščiuoju ir profiliu kalnu visada galima dirbti pasirinkus atitinkamą optimalią darbinę padėtį.

- ▶ Funkcijos pasirinkimo jungiklį nustatykite į padėtį „Kalto padėties nustatymas“ .

5.6 Kirtimas kalnu

- ▶ Funkcijos pasirinkimo jungiklį nustatykite į padėtį „Kirtimas kalnu“ .

5.7 Valdymo jungiklio fiksatorius



Į kirtimo kalnu režimą nustatytą valdymo jungiklį galite užfiksuoti.

- ▶ Spauskite valdymo jungiklio fiksatorių.



6 Prižiūra ir einamasis remontas

ĮSPĖJIMAS

Pavojų kelia elektros smūgis! Prižiūra ir einamasis remontas, kai maitinimo kabelio kištukas įstatytas į elektros lizdą, gali tapti sunkių sužalojimų ir nudegimų priežastimi.

- ▶ Prieš pradėdami bet kokius prižiūros ir einamojo remonto darbus, maitinimo kabelio kištuką ištraukti iš elektros lizdo!

Prižiūra

- Atsargiai pašalinti prilipusius nešvarumus.
- Vėdinimo plyšius atsargiai valyti sausu šepetėliu.
- Korpusą valyti tik šiek tiek sudrėkinta šluoste. Nenaudoti silikono turinčių prižiūros priemonių, nes jos gali pakenkti plastikinėms detalėms.

Einamasis remontas

ĮSPĖJIMAS

Pavojų kelia elektros smūgis! Netinkamas elektrinių komponentų remontas gali tapti sunkių sužalojimų ir nudegimų priežastimi.

- ▶ Remontuoti elektrines įranginio dalis leidžiama tik kvalifikuotiems elektrikams.
- Reguliariai tikrinti, ar matomos dalys nėra pažeistos ir ar valdymo elementai veikia nepriekaištingai.
- Pažeisto ir / arba turinčio veikimo sutrikimų prietaiso nenaudoti. Nedelsiant kreiptis į **Hilti** techninės prižiūros centrą dėl remonto.
- Baigus techninės prižiūros ir einamojo remonto darbus, sumontuoti visus apsauginius įtaisus ir patikrinti jų veikimą.



Kad eksploatacija būtų patikima, naudokite tik originalias atsargines dalis ir eksploatacines medžiagas. Mūsų aprobuotas atsargines dalis, eksploatacines medžiagas ir reikmenis savo prietaisui rasite vietinėje **Hilti Store** arba tinklalapyje www.hilti.group.

7 Transportavimas ir sandėliavimas

- Elektrinio prietaiso netransportuoti su sumontuotu įrankiu.
- Elektrinį prietaisą laikyti / sandėliuoti tik su iš elektros lizdo ištrauktu maitinimo kabelio kištuku.
- Prietaisą laikyti sausoje ir vaikams bei negaliojantiems asmenims neprieinamoje vietoje.
- Prieš naudojant po ilgesnio transportavimo arba sandėliavimo, patikrinti, ar prietaisas nėra pažeistas.

8 Pagalba sutrikus veikimui

Pasitaikius sutrikimų, kurie nėra aprašyti šioje lentelėje arba kurių negalite pašalinti patys, kreipkitės į **Hilti** techninės prižiūros centrą.

8.1 Sutrikimų paieška

Sutrikimas	Galima priežastis	Sprendimas
Kombinuotasis perforatorius neįsijungia.	Nutrūko elektros energijos tiekimas.	▶ Prijunkite kitą elektrinį prietaisą ir patikrinkite jo veikimą.
	Generatorius veikia budėjimo režimu (Sleep Mode).	▶ Apkraukite generatorių antruoju energijos vartotoju (pvz., statybinio šviestuvu). Paskui prietaisą išjunkite ir vėl įjunkite.
	Dingus įtampai elektros tinkle, yra suaktyvintas elektroninis paleidimo bloktorius.	▶ Prietaisą išjunkite ir vėl įjunkite.
	Sudilio angliniai šepetėliai.	▶ Prietaisą duokite patikrinti elektrikui; jeigu reikia, jis pakeis anglinius šepetėlius.



Sutrikimas	Galima priežastis	Sprendimas
Prietaisas nesmūgiuoja.	Prietaisas per šaltas.	► Kombinuotąjį perforatorių padėkite ant grindų ir leiskite veikti tuščiąja eiga. Jeigu reikia, pakartokite, kol smūginis mechanizmas pradės veikti.
Kombinuotasis perforatorius veikia ne visa galia.	Per ilgą ilginimo kabelį ir / arba per mažas jo laidų skerspjūvio plotas.	► Naudokite reikiamo ilgio ir / arba pakankamo laidų skerspjūvio ploto ilginimo kabelį.
	Ne iki galo nuspaustas valdymo jungiklis.	► Valdymo jungiklį spauskite iki galo.
	Elektros tinkle yra per žema įtampa.	► Prijunkite prietaisą prie kito maitinimo tinklo.
Gražtas nesisuka.	Funkcijos pasirinkimo jungiklis neužfiksuotas arba yra padėtyje „Kirtimas kaltu“ T ar „Kalto padėties nustatymas“ \rightarrow .	► Kai prietaisas išjungtas, funkcijos pasirinkimo jungiklį nustatykite į padėtį „Smūginis grėžimas“ IT .
Gražto neįmanoma ištraukti iš griebtuvo.	Įrankio griebtuvas ne iki galo patrauktas atgal.	► Įrankio fiksatorių patraukti atgal, kol atsirems, ir išimti įrankį.
	Netinkamai sumontuota šoninė rankena.	► Šoninę rankeną atlaisvinkite ir sumontuokite tinkamai, t. y. taip, kad užspaudimo juosta ir šoninė rankena užsifiksuotų griovelyje.
Techninės priežiūros indikatorius mirksi raudona spalva.	Prietaisas sugedo.	► Prietaisą pristatykite remontuoti į Hilti techninės priežiūros centrą.
Techninės priežiūros indikatorius šviečia raudona spalva.	Sudilo angliniai šepetėliai.	► Prietaisą duokite patikrinti elektrikui; jeigu reikia, jis pakeis anglinius šepetėlius.

9 Utilizavimas

Hilti prietaisai yra pagaminti iš medžiagų, kurias galima naudoti antrą kartą. Būtina antrinio perdirbimo sąlyga yra tinkamas medžiagų išrūšiuojimas. Daugelyje šalių **Hilti** priims Jūsų nebenaudojamą prietaisą perdirbti. Apie tai galite pasiteirauti artimiausiam **Hilti** techninės priežiūros centre arba savo prekybos konsultanto.



- Elektrinių įrankių, elektroninių prietaisų ir akumuliatorių neišmeskite į buitinius šiukšlynus!

10 RoHS (direktiva dėl pavojingų medžiagų naudojimo ribojimo)

Pavojingų medžiagų lentelę rasite spausdami šias nuorodas: qr.hilti.com/r1021413
Nuorodą į RoHS lentelę rasite kaip QR kodą šios instrukcijos gale.

11 Gamintojo teikiama garantija

- Kilus klausimų dėl garantijos sąlygų, kreipkitės į vietinį **Hilti** partnerį.



Originaalkasutusjuhend

1 Andmed kasutusjuhendi kohta

1.1 Käesoleva käsitemisjuhendi kohta

- Enne seadme kasutuselevõttu lugege läbi kasutusjuhend. See on ohutu kasutamise ja tõrgeteta töö eeldus.
- Järgige käesolevas kasutusjuhendis ja seadmel esitatud ohutusnõudeid ja hoiatusi.
- Hoidke kasutusjuhend alati toote juures ja andke toode teistele isikutele edasi ainult koos käesoleva kasutusjuhendiga.

1.2 Märkide selgitus

1.2.1 Hoiatused

Hoiatused annavad märku toote kasutamisel tekkivatest ohtudest. Kasutatakse järgmisi märksõnu:



OHT !

- ▶ Võimalikud ohtlikud olukorrad, mis võivad põhjustada kasutaja raskeid kehavigastusi või hukkamist.



HOIATUS !

- ▶ Võimalik ohtlik olukord, mis võib põhjustada kasutaja raskeid kehavigastusi või hukkamist.



ETTEVAATUST !

- ▶ Võimalikud ohtlikud olukorrad, mis võivad põhjustada kehavigastusi või varalist kahju.

1.2.2 Sümbolid kasutusjuhendis

Käesolevas kasutusjuhendis kasutatakse järgmisi sümboleid:

	Järgige kasutusjuhendit
	Soovitusi seadme kasutamiseks ja muu kasulik teave
	Taaskasutatavate materjalide käsitlemine
	Elektrilisi tööriistu ja akusid ei tohi visata olmejäätmete hulka

1.2.3 Joonistel kasutatud sümbolid

Joonistel kasutatakse järgmisi sümboleid.

	Numbrid viitavad vastavatele joonistele kasutusjuhendi juhendi alguses.
	Numbrid joonistel tähistavad tähtsaid toiminguid või toimingute jaoks tähtsaid detaile. Tekstis tõstetakse need toimingud või detailid vastava numbriga abil esile, näiteks (3) .
	Positsiooninumbreid kasutatakse joonisel Ülevaade ja need viitavad selgituste numbritele toote ülevaates .
	See märk näitab, et toote käsitlemisel tuleb olla eriti tähelepanelik.

1.3 Tootest sõltuvad sümbolid

1.3.1 Sümbolid tootel

Tootel kasutatakse järgmisi sümboleid:



	Meiseldamine
	Meisli positsioneerimine
	Kaitseklass II (topeltisolatsioon)
n_0	Nimipöörded tühikäigul
/min	Pööret minutis
RPM	Pööret minutis
\emptyset	Läbimõõt
	Vahelduvpinge
	Seade toetab andmete traadita ülekandmist, mis on ühildatav iOS- ja Android-platvormidega.

1.4 Tooteinfo

HILTI tooted on ette nähtud professionaalsele kasutajale ja neid tohivad käsitseda, hooldada ja korras hoida ainult volitatud ja asjaomase väljaõppega isikud. Nimetatud personal peab olema teadlik kõikidest kaasnevatest ohtudest. Seade ja sellega ühendatavad abivahendid võivad osutada ohtlikuks, kui neid ei kasutata nõuetekohaselt või kui nendega töötab vastava väljaõppeta isik.

Tüübitähis ja seerianumber on tüübisildil.

- Kandke seerianumber järgmise tabelisse. Andmeid toote kohta vajate meie esindusele või hooldekeskusele päringute esitamisel.

Tooteinfo

Kombivasar	TE 70-AVR
Põlvkond	03
Seerianumber	

1.5 Vastavusdeklaratsioon

Kinnitame ainuvastutajana, et käesolevas kasutusjuhendis kirjeldatud seade vastab kehtivate direktiivide ja standardite nõuetele: Vastavusdeklaratsiooni ära kirja leiote käesoleva kasutusjuhendi lõpust.

Tehnilised dokumendid on saadaval:

Hilti Entwicklungsgesellschaft mbH | Zulassung Geräte | Hiltistraße 6 | 86916 Kaufering, DE

2 Ohutus

2.1 Üldised ohutusnõuded elektriliste tööriistade kasutamisel

⚠ HOIATUS! Lugege kõiki selle elektrilise tööriista juurde kuuluvaid ohutusjuhiseid, nõuandeid, jooniseid ja tehnilisi andmeid! Järgmiste juhiste eiramise tagajärg võib olla elektrilöökk, tulekahju ja/või rasked vigastused.

Hoidke kõik ohutusnõuded ja juhised edaspidiseks kasutamiseks alles.

Ohutusjuhistes kasutatud mõiste "elektriline tööriist" käib võrgutoitega (toitejuhtmega) elektriliste tööriistade või akutoitega (toitejuhtmeta) elektriliste tööriistade kohta.

Ohutus töökojal

- **Hoidke oma töökoht puhas ja valgustage seda korralikult.** Korrastamata ja valgustamata töökoht võib põhjustada õnnetusi.
- **Ärge kasutage elektrilist tööriista plahvatusohtlikus keskkonnas, kus leidub tuleohtlikke vedelikke, gaase või tolmu.** Elektrilistest tööriistadest lööb sädemeid, mis võivad tolmu või auru süüdata.
- **Hoidke lapsed ja kõik teised töökohest eemal, kui kasutate elektrilist tööriista!** Kui teie tähelepanu juhitakse kõrvale, võib seade teie kontrolli alt väljuda.



Elektriohutus

- ▶ **Elektrilise tööriista pistik peab sobima pistikupesaga. Pistiku juures ei tohi teha mingeid muudatusi. Kaitsemaandusega seadmete puhul ei tohi kasutada adapterpistikuid.** Muutmata pistikud ja sobivad pistikupesad vähendavad elektrilöögiohtu.
- ▶ **Vältige keha kontakti maandatud pindadega (nt toru, radiaator, pliit, külmik).** Kui teie keha on maandatud, on elektrilöögi oht suurem.
- ▶ **Kaitske elektrilist tööriista vihma ja niiskuse eest.** Kui elektrilise tööriista sisemusse satub vett, suurendab see elektrilöögiohtu.
- ▶ **Ärge kasutage ühenduskaablit elektrilise tööriista kandmiseks, riputamiseks ega pistiku stepslist väljatõmbamiseks!** Hoidke ühenduskaablit eemal kuumusest, õlidest, teravatest servadest ja liikuvatest osadest. Kahjustatud või keerdsed ühenduskaablid suurendavad elektrilöögiohtu.
- ▶ **Kui töötate elektrilise tööriistaga vabas õhus, kasutage ainult selliseid pikendusjuhtmeid, mida tohib kasutada ka välitingimustes.** Välitingimustes sobiva pikendusjuhtme kasutamine vähendab elektrilöögiohtu.
- ▶ **Kui seadmega töötamine niiskes keskkonnas on vältimatu, kasutage rikkevoolu kaitselülitiit.** Rikkevoolu kaitselülitiit kasutamine vähendab elektrilöögiohtu.

Inimeste ohutus

- ▶ **Olge tähelepanelik, jälgige, mida teete, ja toimige elektrilise tööriistaga töötades kaalutletult. Ärge töötage elektrilise tööriistaga, kui olete väsinud või alkoholi, narkootikumide või ravimite mõju all!** Hetkeline tähelepanematus elektrilise tööriista kasutamisel võib põhjustada raskeid kehavigastusi ja varalist kahju.
- ▶ **Kandke isiklikke kaitsevahendeid ja alati kaitseprille.** Isiklike kaitsevahendite, nt tolmu maski, libisemiskindlate turvajalatsite, kaitsekiivri või kuulmiskaitsevahendite kandmine (sõltuvalt elektrilise tööriista tüübist ja kasutusala) vähendab vigastusohu.
- ▶ **Vältige elektrilise tööriista soovimatut käivitamist! Enne elektrilise tööriista ühendamist vooluvõrku ja/või elektrilise tööriista aku paigaldamist, tööriista ülestõstmist ja kandmist veenduge, et elektriline tööriist on välja lülitatud!** Kui hoiate elektrilise tööriista kandmisel sõrme lülitiil või ühendate vooluvõrku sisselülitatud tööriista, võib juhtuda õnnetus.
- ▶ **Enne elektrilise tööriista sisselülitamist eemaldage selle küljest seade- ja mutrivõtmed.** Elektrilise tööriista pöörleva osa küljes olev seade- või mutrivõti võib põhjustada vigastusi.
- ▶ **Vältige ebatavalist tööasendit! Võtke stabiilne tööasend ja säilitage alati tasakaal.** Nii saate elektrilist tööriista ootamatutes olukordades paremini kontrollida.
- ▶ **Kandke sobivat rõivastust. Ärge kandke laiu riideid ega ehteid! Hoidke juuksed, rõivad ja kindad seadme liikuvatest osadest eemal.** Lotendavad riided, ehted ja pikad juuksed võivad sattuda seadme liikuvate osade vahele.
- ▶ **Kui elektrilise tööriista külge on võimalik paigaldada tolmuemaldus- ja kogumisseadiseid, veenduge, et need on tööriistaga ühendatud ja et neid kasutatakse nõuetekohaselt.** Tolmuemaldus-seadise kasutamine võib vähendada tolmu tihedust.
- ▶ **Ärge laske tekkida petlikul turvatundel ega eirake elektrilise tööriista ohutusreeglid isegi siis, kui olete pärast paljukordset kasutamist elektrilise tööriistaga harjunud.** Tähelepanematu käsitsemise võib sekundi mürdosa jooksul kaasa tuua raskeid vigastusi.

Elektrilise tööriista kasutamine ja käsitsemine

- ▶ **Ärge koormake seadet üle! Kasutage konkreetseks tööks sobivat elektrilist tööriista.** See töötab ettenähtud jõudluspiirides tõhusamalt ja ohutumalt.
- ▶ **Ärge kasutage elektrilist tööriista, mille lüliti on rikkis!** Elektriline tööriist, mida ei saa enam lülitiit korralikult sisse ja välja lülitada, on ohtlik ning tuleb viia parandusse.
- ▶ **Tõmmake enne seadme mis tahes seadetöid, tarvikute vahetamist ja seadme hoieühteküsimust pistikupesast välja ja/või eemaldage äravõetav aku.** See ettevaatusabinõu hoiab ära seadme soovimatu käivitamise.
- ▶ **Kasutusvälisel ajal hoidke elektrilist tööriista lastele kättesaamatus kohas. Ärge laske seadet kasutada isikutel, kes seadme tööpõhimõtet ei tunne või ei ole lugenud käesolevaid kasutusjuhendeid.** Asjatundmatute isikute käes on elektrilised tööriistad ohtlikud.
- ▶ **Hooldage elektrilisi tööriistu ja tarvikuid korralikult. Kontrollige, kas liikuvad osad töötavad veatult ega kiilu kiini.** Veenduge, et seadme osad ei ole murdunud või kahjustatud määral, mis mõjutab seadme töökindlust. Laske kahjustatud osad enne seadme kasutamist parandada. Ebapiisavalt hooldatud elektrilised tööriistad põhjustavad õnnetusi.
- ▶ **Hoidke lõiketarvikud teravad ja puhtad.** Hästi hooldatud, teravate lõikeservadega lõiketarvikud kiiluvad harvemini kinni ja neid on lihtsam juhtida.



- ▶ **Kasutage elektrilist tööriista, tarvikuid ja lisatarvikuid vastavalt nende juhistele. Arvestage seejuures töötingimuste ja tehtava töö iseloomuga.** Elektrilise tööriista kasutamine otstarbel, milleks see ei ole ette nähtud, võib põhjustada ohtlikke olukordi.
- ▶ **Käepidemed ja haardepinnad peavad olema kuivad, puhtad ning vabad õlist ja rasvast.** Libedad käepidemed ja haardepinnad ei võimalda elektrilist tööriista ootamatutes olukordades kindlalt käsitseda ega kontrollida.

Hooldus

- ▶ **Laske elektrilist tööriista parandada ainult kvalifitseeritud spetsialistidel, kes kasutavad originaalvaruosi.** Nii on tagatud elektrilise tööriista ohutu töö.

2.2 Ohutusnõuded puurtrellide kasutamisel

Ohutusnõuded kõikide tööde puhul

- ▶ **Löökpuurimisel kasutage kuulmiskaitsevahendeid.** Müra võib kahjustada kuulmist.
- ▶ **Kasutage lisakäepidet.** Kontrolli kaotus seadme üle võib põhjustada kehavigastusi ja varalist kahju.
- ▶ **Kui teete töid, mille puhul võivad tarvik või kruvid tabada elektrijuhtmeid või seadme enda toitejuhet, hoidke seadet käepideme isoleeritud haardepinnast.** Kokkupuude pingestatud elektrijuhtmega võib seada pinge alla ka seadme metalldetailid ja põhjustada elektrilöögi.

Ohutusnõuded pikkade puuride kasutamisel

- ▶ **Ärge töötage mingil juhul kõrgemal pöoretel, kui puuri jaoks maksimaalselt lubatud pöörete arv.** Kõrgemal pöoretel võib puur veidi painduda, kui puuril on võimalik toorikus ilma kokkupuuteta vabalt pöörelda, ning tagajärjeks võivad olla kehavigastused ja varaline kahju.
- ▶ **Alustage puurimist alati madalatel pöoretel ja veenduge, et puur puutub toorikuga kokku.** Kõrgemal pöoretel võib puur veidi painduda, kui puuril on võimalik toorikus ilma kokkupuuteta vabalt pöörelda, ning tagajärjeks võivad olla kehavigastused ja varaline kahju.
- ▶ **Ärge rakendage liigset survet ning rakendage survet üksnes puuri suhtes pikisuunas.** Puurid võivad painduda ja seetõttu murduda või tuua kaasa kontrolli kaotuse ning kehavigastuste ja varalise kahju tekke.

Ohutusnõuded segamistarvikute ja segurite kasutamisel

- ▶ **Lülitage elektriline tööriist sisse või välja vaid siis, kui segur on segatava aine sees.** Vastasel korral võite kaotada tööriista üle kontrolli, mille tagajärjeks võivad olla kehavigastused ja varaline kahju.

2.3 Täiendavad ohutusnõuded puurvasara kasutamisel

Inimeste turvalisus

- ▶ Kasutage seadet ja lisatarvikuid ainult siis, kui nende tehniline seisukord on veatu.
- ▶ Ärge kunagi muutke ega modifitseerige seadet ega lisatarvikuid.
- ▶ Kasutage koos seadmega tarnekomplekti kuuluvaid lisakäepidemeid. Kontrolli kaotus seadme üle võib põhjustada vigastusi.
- ▶ Läbistavate tööde korral ümbritsege kaitsepiiridega töödeldava koha taha jääv ala. Väljarmutavad tükid võivad välja ja/või alla kukkuda ning teisi inimesi vigastada.
- ▶ Hoidke seadet ettenähtud käepidemetest alati mõlema käega. Hoidke käepidemed kuivad ja puhtad.
- ▶ Hoidke seadet üksnes isoleeritud käepidemest, kui teete töid, mille puhul võib tarvik tabada varjatud elektrijuhtmeid. Kokkupuude pingestatud elektrijuhtmega võib seada pinge alla ka seadme metalldetailid ja põhjustada elektrilöögi.
- ▶ Vältige kokkupuudet seadme pöörlevate osadega - vigastuste oht!
- ▶ Seadme kasutamise ajal kandke kaitseprille, kaitsekiivrit, kuulmiskaitsevahendeid ja sobivat hingamisteede kaitsemaski.
- ▶ Tarviku vahetamisel kandke kaitsekindaid. Tarviku puudutamine võib tekitada löikehaavu ja põletusi.
- ▶ Kasutage kaitseprille. Materjalist väljalendavad killud võivad tekitada keha- ja silmavigastusi.
- ▶ Lihvimisel, lõikamisel ja puurimisel tekivad tolm võib sisaldada ohtlikke kemikaale. Mõned näited: plii või pliipõhised värvid; tellis, betoon ja muu müüritis, looduskivi ja muud silikaati sisaldavad tooted; teatud tüüpi puit, näiteks tamm, pöök ja keemiliselt töödeldud puit; asbest või asbesti sisaldavad materjalid. Tehke kindlaks kasutaja ja teiste läheduses viibivate isikutega kokkupuute tase, arvestades töödeldavate materjalide ohuklassi. Võtke vajalikud meetmed, et hoida kokkupuude ohutul tasemel, nt kasutage tolmukogumissüsteemi või kandke sobivat hingamisteede kaitse maski. Kokkupuute vähendamise üldiste meetmete hulka kuuluvad:
 - ▶ töötamine hästi ventileeritud piirkonnast,
 - ▶ tolmuga pikaajalise kokkupuute vältimine,



- ▶ tolmulejuttimine näost ja kehast,
- ▶ kaitserõivaste kandmine ja nähtavate kohtade pesemine vee ja seebiga.
- ▶ Tehke tihti pause ja sirutage sõrmi, et parandada verevarustust. Pikemaajalisel töötamisel võib tugev vibratsioon tekitada häireid sõrmede, käte või randmeliigeste veresoonte ja närvisüsteemi toimimises.

Elektriohtus

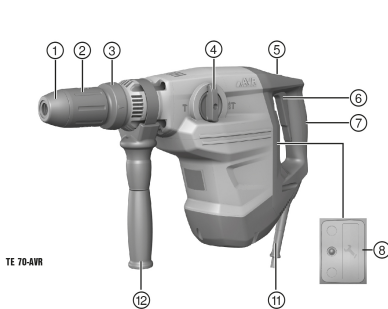
- ▶ Veenduge enne töö alustamist, et tööpiirkonnas ei ole varjatult paigaldatud elektrikaableid ega gaasi- ja veetorustikke. Pingestatud elektrijuhtme, gaasi- või veetoru vigastamise korral võivad seadme välised metalliosad sattuda põhjustada plahvatus- või elektrilöögi.

Elektriliste tööriistade hoolikas käsitlemine ja kasutamine

- ▶ Lülitage seade kohe välja, kui tarvik kinni kiilub. Seade võib külgsuunas liikuda.
- ▶ Enne käestpanekut oodake, kuni seade on täielikult seiskunud.

3 Kirjeldus

3.1 Toote ülevaade 1



- ① Tolmukaitsekate
- ② Tarvikukinnitus
- ③ Tarviku vabastamise nupp
- ④ Töörežiimi lüliti
- ⑤ Juhtlüli lukustus
- ⑥ Juhtlüli
- ⑦ Käepide
- ⑧ Hooldusnäit
- ⑪ Toitejuhe
- ⑫ Lisakäepide

3.2 Sihipärane kasutamine

Kirjeldatud toode on pneumaatilise löögimehhanismiga elektriline kombivasar. See on ette nähtud betooni, müüritise, puidu ja metalli puurimiseks. Lisaks võib seadet kasutada kergeteks kuni keskmisteks meiseldustöödeks müüritises ning betoonpindade viimistlemiseks.

- ▶ Seadet võib kasutada vaid siis, kui vooluvõrgu pinge ja sagedus ühtib seadme andmesildil märgitud võrgupinge ja sagedusega.

3.3 Valik AVR

Seadet saab täiendavalt varustada Active Vibration Reduction (AVR) süsteemiga, mis vibratsiooni tuntavalt vähendab.

3.4 Hooldusnäit

Tootel on valgussignaaliga hooldusnäit.

3.4.1 Hoolduse indikaatoritule olek

Seisund	Tähendus
Hooldusnäit põleb punase tulega.	Käes on hoolduse tähtaeg.
Hooldusnäit vilgub punase tulega.	Laske kombivasarat parandada Hilti hooldekeskuses.

3.5 Tarnekomplekt

Kombivasar, lisakäepide, kasutusjuhend.

Teised tööriistaga kasutada lubatud süsteemitooted leiate **Hilti Store** müügiesindusest või veebilehelt: www.hilti.group | USA: www.hilti.com



4 Tehnilised andmed



Andmed nimipinge, nimivoolu, sageduse ja/või nimivõimsuse kohta leiate andmesildilt.

Generaatori või transformaatori kasutamisel peab selle väljundvõimsus olema vähemalt kaks korda suurem kui seadme tüübisildile märgitud nimisisendvõimsus. Transformaatori või generaatori tööpinge peab olema kogu aeg vahemikus + 5% ja - 15% seadme nimipingest.

	TE 70-AVR
Kaal EPTA-Procedure 01 kohaselt	8,3 kg
Löögienergia EPTA Procedure 05 kohaselt	11,5 J
Ø löökpuur	12 mm ... 55 mm
Ø puidupuur	10 mm ... 32 mm
Ø metallipuur	0 mm ... 20 mm

4.1 Andmed müra ja vibratsiooni kohta vastavalt standardile EN 62841

Käesolevas juhendis märgitud helirõhu- ja vibratsioonitase on mõõdetud standarditud mõõtemeetodil ja seda saab kasutada elektriliste tööriistade omavaheliseks võrdlemiseks. See sobib ka vibratsiooni- ja mürataseme esialgseks hindamiseks.

Toodud näitajad iseloomustavad elektrilise tööriista põhilisi ettenähtud töid. Kui aga elektrilist tööriista kasutatakse muul otstarbel, teiste tarvikutega või kui tööriista on ebapiisavalt hooldatud, võivad näitajad käesolevas juhendis toodud näitajatest kõrvale kalduda. See võib vibratsiooni- ja mürataset töötamise koguperioodil tunduvalt suurendada.

Müra- ja vibratsioonitaseme täpseks hindamiseks tuleb arvesse võtta ka aega, mil elektriline tööriist oli välja lülitatud või küll sisse lülitatud, kuid tegelikult tööle rakendamata. See võib vibratsiooni- ja mürataset töötamise koguperioodil tunduvalt vähendada.

Kasutaja kaitseks müra ja/või vibratsiooni eest võtke tarvitusele täiendavaid kaitsemeetmeid, näiteks: hooldage elektrilist tööriista ja tarvikuid korralikult, hoidke käed soojad, tagage sujuv töökorraldus.

Müratase

	TE 70-AVR
Helivõimsustase (L_{WA})	113 dB(A)
Helivõimsustaseme mõõtemääramatus (K_{WA})	3 dB(A)
Helirõhutase (L_{pA})	99 dB(A)
Helirõhutaseme mõõtemääramatus (K_{pA})	3 dB(A)

Vibratsiooni kogutase

	TE 70-AVR
Betooni löökpuurimine ($a_{h, HD}$)	10,8 m/s ²
Meiseldamine ($a_{h, Cheq}$)	9 m/s ²
Mõõtemääramatus (K)	1,5 m/s ²

5 Käsitsemine

5.1 Lisakäepideme paigaldamine

ETTEVAATUST

Vigastuste oht Kontrolli kaotus seadme üle.

► Veenduge, et lisakäepide on korrektselt paigaldatud ja nõuetekohaselt kinnitatud. Veenduge, et kinnitusriba asub seadme vastavas soones.

► Paigaldage lisakäepide.



5.2 Tarkviku paigaldamine/eemaldamine

Mittesobiva määride kasutamine võib seadet kahjustada. **Kasutage üksnes Hilti originaalmääret.** Iga kord enne kasutamist kontrollige tarkvikut kahjustuste ja ebaühtlase kulumise suhtes ning vajaduse korral vahetage see välja.

- ▶ Paigaldage/eemaldage tarkvik.

5.3 Löögita puurimine

Löögita puurimine on võimalik spetsiaalse kinnitusega tarkvikutega abil. Sellised tarkvikud leiata **Hilti** tarkvikutest valikust. Kiirkinnituse abil saab seadmesse kinnitada näiteks silindrilise sabaga puurduure või metallipuure ja löögita puurida.

- ▶ Seadke töörežiimilüliti asendisse "Löökpuurimine"

5.4 Löökpuurimine

- ▶ Seadke töörežiimilüliti asendisse "Löökpuurimine"

5.5 Meisli positsioneerimine

ETTEVAATUST

Vigastuste oht! Meisli üle kontrolli kaotamine.

- ▶ Ärge töötage asendis "meisli positsioneerimine". Seadke ja fikseerige töörežiimilüliti asendisse "meiseldamine".

Meisli saab lukustada 24 eri asendisse (15° sammuga). Nii on lapik- ja profiilmeislitega võimalik alati töötada optimaalses tööasendis.

- ▶ Seadke töörežiimilüliti asendisse "Meisli positsioneerimine"

5.6 Meiseldamine

- ▶ Seadke töörežiimilüliti asendisse "Meiseldamine"

5.7 Juhtüliti lukustus

Meiseldusrežiimis saate juhtüliti sisselülitatud olekus lukustada.

- ▶ Vajutage juhtüliti lukustusnupule.

6 Hooldus ja korrashoid

HOIATUS

Elektrilöögi oht! Seadme hooldus- ja korrashoiutööd teitevõrku ühendatud toitepistikuga võivad põhjustada raskeid vigastusi ja põletusi.

- ▶ Tõmmake toitepistik pistikupesast välja iga kord enne hooldus- ja korrashoiutööde tegemist!

Hooldus

- Kõvasti kinni olev mustus eemaldage ettevaatlikult.
- Puhastage ventilatsiooniavad ettevaatlikult kuiva harjaga.
- Puhastage korpus kergelt niiske lapiga. Ärge kasutage silikooni sisaldavaid hooldusvahendeid, sest need võivad kahjustada seadme plast detaile.




HOIATUS

Elektrilöögi oht! Elektridetailide asjatundmatu parandamine võib kaasa tuua raskeid vigastusi ja põletusi.

- ▶ Elektridetailide tohivad parandada ainult elektriala asjatundjad.
-
- Kontrollige regulaarselt nähtavate osade ja juhtelementide laitmatut töökorda.
 - Kahjustuste ja/või tõrgete korral ei tohi seadet kasutada. Laske tööriist kohe **Hilti** teeninduskeskuses parandada.
 - Pärast hooldus- ja remonttöid paigaldage kõik kaitseseadised ja kontrollige nende töökorda.



Tööohutuse tagamiseks kasutage ainult originaalvaruosi ja -materjale. Teie tootega sobivad ja meie poolt heakskiidetud varuosad, materjalid ja tarvikud leiате kauplusest **Hilti Store** või veebilehelt: www.hilti.group.

7 Transport ja ladustamine

- Ärge transportige elektrilist tööriista, millesse on paigaldatud tarvik.
- Enne elektrilise tööriista hoiulepanekut tõmmake toitepistik pistikupesast välja.
- Hoidke seadet kuivas kohas, mis on lastele ja kõrvalistele isikutele ligipääsmatu.
- Pärast pikemat transporti või ladustamist kontrollige tööriista vigastuste suhtes.

8 Abi tõrgete puhul

Kui peaks esinema tõrge, mida ei ole järgmises tabelis nimetatud või mida Te ei suuda ise kõrvaldada, pöörduge **Hilti** hooldekeskusse.

8.1 Veatsing

Tõrge	Võimalik põhjus	Lahendus
Kombivasar ei käivitu.	Vooluvarustus katkenud.	▶ Ühendage vooluvõrku mõni teine elektriseade ja kontrollige, kas see töötab.
	Generaator on ooterežiimil (Sleep Mode).	▶ Kasutage generaatorit mõne teise tarviga (nt ehitusplatsil kasutatav lamp). Lülitage seejärel seade välja ja uuesti sisse.
	Elektrooniline käivitustõkis on pärast voolukatkestust aktiveerunud.	▶ Lülitage seade välja ja uuesti sisse.
	Grafiitharjad on kulunud.	▶ Laske kontrollida ja vajadusel vahetada elektriala asjatundjal.
Puudub löögifunktsioon.	Seade on liiga külm.	▶ Asetage kombivasar pinnale ja laske sellel töötada tühikäigul. Vajaduse korral korrake, kuni löögimehhanism töötab.
Kombivasar ei tööta täisvõimsusel.	Pikendusjuhe on liiga pikk /või liiga väikese ristlõikega.	▶ Kasutage ettenähtud pikkuse ja/või piisava ristlõikega pikendusjuhet.
	Juhtlülitit ei ole lõpuni alla vajutatud.	▶ Vajutage juhtlülitit lõpuni alla.
	Liiga madal voolupinge.	▶ Ühendage seade teise vooluvõrguga.
Puur ei pöörle.	Töörežiimilüliti ei ole kohale fikseerunud või on asendis "Meiseldamine" T või "Meisli positsioneerimine" ↺ .	▶ Viige töörežiimilüliti seisval seadmel asendisse "Löökpüürimine" ⚡ .
Puuri ei saa eemaldada.	Padrun ei ole täielikult tagasi tõmmatud.	▶ Tõmmake padrun lõpuni tagasi ja võtke tarvik välja.



Tõrge	Võimalik põhjus	Lahendus
Puuri ei saa eemaldada.	Lisakäepide ei ole korrektselt monteeritud.	► Vabastage lisakäepide ja monteerige see õigesti, nii et kinnitusriba ja lisakäepide fikseeruvad süvendisse.
Hooldusnäit vilgub punase tulega.	Seade on kahjustada saanud.	► Laske toode Hilti hooldekeskuses parandada.
Hooldusnäit põleb punase tulega.	Grafiitharjad on kulunud.	► Laske kontrollida ja vajadusel vahetada elektriala asjatundjal.

9 Utiliseerimine

Hilti seadmed on suure osas valmistatud taaskasutatavatest materjalidest. Taaskasutuse eelduseks on materjalide korralik sorteerimine. Paljudes riikides kogub **Hilti** kasutusressursi ammendanud seadmed kokku. Lisateavet saate **Hilti** müügiesindusest.



- Ärge visake kasutusressursi ammendanud elektrilisi tööriistu, elektroonikaseadmeid ja akusid olmejäätmete hulka!

10 RoHS (ohtlike ainete kasutamist piirav direktiiv)

Ohtlike ainete tabeli leiate järgmiste linkide alt: qr.hilti.com/r1021413

RoHS-tabeli juurde viiva lingi leiate käesoleva dokumendi lõpust QR-koodina.

11 Tootja garantii

- Garantiitingimusi puudutavates küsimustes pöörduge oma kohaliku **Hilti** partneri poole.

Оригінальна інструкція з експлуатації

1 Інформація щодо інструкції з експлуатації

1.1 Про цю інструкцію з експлуатації

- Перш ніж розпочинати роботу з інструментом, прочитайте цю інструкцію з експлуатації. Це є передумовою безпечної роботи та відсутності несправностей під час застосування інструмента.
- Дотримуйтеся попереджувальних вказівок та вказівок з техніки безпеки, наведених у цій інструкції з експлуатації та на корпусі інструмента.
- Завжди зберігайте інструкцію з експлуатації поблизу виробу та передавайте його іншим особам тільки разом із цією інструкцією з експлуатації.

1.2 Пояснення символів

1.2.1 Попереджувальні вказівки

Попереджувальні вказівки інформують користувача про фактори небезпеки, пов'язані із застосуванням інструмента. Використовуються такі сигнальні слова:

НЕБЕЗПЕКА

НЕБЕЗПЕКА !

- Указує на безпосередню небезпеку, що може призвести до отримання тяжких тілесних ушкоджень або навіть до смерті.

ПОПЕРЕДЖЕННЯ

ПОПЕРЕДЖЕННЯ !

- Указує на потенційно небезпечну ситуацію, яка може призвести до отримання тяжких тілесних ушкоджень або навіть смерті.





ОБЕРЕЖНО

ОБЕРЕЖНО !

- Указує на потенційно небезпечну ситуацію, яка може призвести до отримання тілесних ушкоджень або до матеріальних збитків.

1.2.2 Символи в інструкції з експлуатації

У цій інструкції з експлуатації використовуються такі символи:

	Дотримуйтеся вказівок, наведених в інструкції з експлуатації
	Указівки щодо експлуатації та інша корисна інформація
	Поводження з матеріалами, придатними для вторинної переробки
	Не викидайте електроінструменти і акумуляторні батареї у баки для побутового сміття

1.2.3 Символи на ілюстраціях

На ілюстраціях використовуються такі символи:

	Цифрами позначаються відповідні ілюстрації, наведені на початку цієї інструкції з експлуатації.
	Наведена на рисунках нумерація позначає порядок виконання важливих робочих кроків або показує важливі деталі, необхідні для виконання цих робочих кроків. У тексті ці робочі кроки або деталі виділяються відповідними цифрами, наприклад (3) .
	Номера позицій, наведені на оглядовій ілюстрації , відповідають номерам у легенді, що представлена у розділі « Огляд продукту ».
	Цей символ позначає аспекти, на які слід звернути особливу увагу під час застосування інструмента.

1.3 Символи, що обумовлені типом інструмента

1.3.1 Символи на інструменті

На інструменті наведені такі символи:

	Ударне свердління отворів
	Довбання отворів
	Позиціонування зубила
	Клас захисту II (подвійна ізоляція)
n_0	Номінальна швидкість обертання під час холостого ходу
/min	Кількість обертів на хвилину
RPM	Кількість обертів на хвилину
\varnothing	Діаметр
	Змінний струм
	Інструмент підтримує бездротову передачу даних та є сумісним із платформами iOS та Android.

1.4 Інформація про інструмент

Інструменти призначені для професійного використання, а тому їхню експлуатацію, технічне обслуговування та ремонт слід доручати лише авторизованому персоналу зі спеціальною підготовкою. Цей персонал повинен бути спеціально проінструктований про можливі ризики. Інструмент та допомі-



жне приладдя можуть стати джерелом небезпеки у разі їхнього неправильного застосування некваліфікованим персоналом або у разі використання не за призначенням.

Тип та серійний номер зазначені на заводській табличці.

- ▶ Перепишіть серійний номер у наведену нижче таблицю. При оформленні запитів до нашого представництва та до сервісної служби вкажіть інформацію про інструмент.

Інформація про інструмент

Комбінований перфторатор	TE 70-AVR
Версія	03
Серійний номер	

1.5 Сертифікат відповідності

Зі всією належною відповідальністю заявляємо, що описаний у цьому документі інструмент відповідає діючим директивам і стандартам. Копія сертифіката відповідності наведена у кінці цього документа.

Технічна документація зазначена нижче:

Hilti Entwicklungsgesellschaft mbH | Zulassung Geräte | Hiltistraße 6 | 86916 Kaufering, DE

2 Безпека

2.1 Загальні вказівки з техніки безпеки при роботі з електроінструментами

⚠ ПОПЕРЕДЖЕННЯ! Уважно прочитайте усі вказівки та інструкції з техніки безпеки, ознайомтеся з малюнками та технічними даними цього електроінструмента. Щонайменше недотримання наведених нижче вказівок може призвести до ураження електричним струмом, займання та/або отримання тяжких травм.

Збережіть всі інструкції та вказівки з техніки безпеки – вони можуть знадобитися Вам у майбутньому.

Термін «електроінструмент», який використовується у вказівках з техніки безпеки, позначає як електроінструменти, що працюють від електричної мережі (із кабелем живлення), так і електроінструменти, що працюють від акумуляторної батареї (без кабелю живлення).

Безпека на робочому місці

- ▶ **Дбайте про чистоту та достатнє освітлення робочого місця.** Безлад на робочому місці та недостатнє освітлення можуть стати причиною нещасних випадків.
- ▶ **Не працюйте з електроінструментом у вибухонебезпечному середовищі, що містить легкозаймисті рідини, гази або пил.** Під час роботи електроінструментів утворюються іскри, від яких можуть зайнятися легкозаймисті випари або пил.
- ▶ **Подбайте про те, щоб під час використання електроінструмента поблизу не було дітей та сторонніх осіб.** Щонайменше відволікання може призвести до втрати контролю над інструментом.

Електрична безпека

- ▶ **Штепсельна вилка електроінструмента повинна підходити до розетки живлення.** Забороняється вносити зміни до конструкції штепсельної вилки. Не дозволяється застосовувати перехідні штепсельні вилки в електроінструментах із захисним заземленням. У разі використання оригінальних штепсельних вилок і відповідних розеток знижується ризик ураження електричним струмом.
- ▶ **Під час роботи намагайтеся не торкатися заземлених поверхонь, наприклад труб, радіаторів опалення, печей та холодильників.** Якщо Ваше тіло перебуває в контакті із системою заземлення, існує підвищений ризик ураження електричним струмом.
- ▶ **Захищайте електроінструменти від дощу та вологи.** У разі проникнення води в електроінструмент підвищується ризик ураження електричним струмом.
- ▶ **Використовуйте з'єднувальний кабель тільки за призначенням, не переносьте за нього електроінструмент, не користуйтеся ним для підвішування інструмента та не тримайтеся за нього, дістаючи штепсельну вилку з розетки.** Оберігайте з'єднувальний кабель від впливу високих температур, від дії мастил та контакту з гострими кромками або рухомими частинами інструмента. Пошкоджені або заплутані з'єднувальні кабелі підвищують ризик ураження електричним струмом.
- ▶ **Працюючи з електроінструментом під відкритим небом, використовуйте лише подовжувальний кабель, придатний для зовнішнього застосування.** Використання подовжувального кабелю, призначеного для зовнішнього застосування, зменшує ризик ураження електричним струмом.



- ▶ Якщо неможливо уникнути експлуатації електроінструмента за умов підвищеної вологості, використовуйте автомат захисту від струму витоку. Використання автомата захисту від струму витоку зменшує ризик ураження електричним струмом.

Безпека персоналу

- ▶ Будьте уважними, зосередьтеся на виконуваній операції, до роботи з електроінструментом ставтеся серйозно. Не користуйтеся електроінструментом, якщо Ви втомлені або перебуваєте під дією наркотичних речовин, алкоголю або лікарських засобів. Під час роботи з електроінструментом не відволікайтеся ні на мить, оскільки це може призвести до отримання серйозних травм.
- ▶ Використовуйте засоби індивідуального захисту і завжди надягайте захисні окуляри. Використання засобів індивідуального захисту, наприклад респіратора, захисного взуття на нековзній підшві, захисного шолома або шумозахисних навушників – залежно від різновиду електроінструмента та особливостей його застосування – зменшує ризик травмування.
- ▶ Уникайте випадкового вмикання електроінструмента. Переконайтеся в тому, що електроінструмент вимкнений, перш ніж вставляти штепсельну вилку в розетку живлення та/або приєднувати акумулятор, підняти електроінструмент або переносити його. Якщо під час перенесення електроінструмента тримати палець на вимикачі або приєднувати інструмент до джерела живлення увімкненням, це може призвести до нещасного випадку.
- ▶ Перш ніж вмикати електроінструмент, від'єднайте від нього все налагоджувальне приладдя або гайкові ключі. Приладдя або ключ, що знаходяться в обертовому вузлі інструмента, можуть стати причиною отримання травм.
- ▶ Уникайте виконання роботи в незручній позі. Під час виконання робіт ставайте в стійку позу і намагайтеся повсякчас утримувати рівновагу. Це дозволить Вам більш упевнено контролювати електроінструмент у разі виникнення несподіваних обставин.
- ▶ Надягайте відповідний робочий одяг. Не надягайте для роботи занадто просторий одяг та прикраси. Слідкуйте за тим, щоб волосся, одяг та робочі рукавиці знаходилися подалі від обертових частин інструмента. Просторий одяг, прикраси або довге волосся можуть бути захоплені рухомими частинами інструмента.
- ▶ Якщо передбачена можливість установалення системи пиловидалення та пиловбирників, обов'язково переконайтеся в тому, що вони правильно приєднані і використовуються належним чином. Застосування системи видалення пилу дозволяє зменшити негативний вплив пилу на персонал.
- ▶ Не можна нехтувати правилами безпеки під час роботи з електроінструментами навіть у тому випадку, коли Ви добре знайомі з тим чи іншим електроінструментом. Якщо користуватися інструментом необережно, лише малої частки секунди може бути достатньо для отримання тяжких травм.

Використання електроінструмента та належний догляд за ним

- ▶ Не допускайте перенавантаження інструмента. Завжди використовуйте електроінструмент, призначений для виконання відповідної роботи. При використанні належного електроінструмента забезпечуються більш висока якість та безпека виконання робіт у вказаному діапазоні продуктивності.
- ▶ Не використовуйте електроінструмент із пошкодженим вимикачем. Електроінструмент, який неможливо вмикати або вимикати, є небезпечним і підлягає ремонту.
- ▶ Перш ніж розпочинати налаштування інструмента, виконувати заміну приладдя або робити перерву в роботі, не забудьте вийняти штепсельну вилку з розетки та/або вийняти з інструмента змінну акумуляторну батарею. Такий запобіжний захід допоможе уникнути випадкового вмикання електроінструмента.
- ▶ Електроінструменти, що не використовуються, зберігайте в недоступному для дітей місці. Не дозволяйте користуватися інструментом особам, які не озброєні з ним або не прочитали ці вказівки. У руках недосвідчених людей електроінструменти являють собою серйозну небезпеку.
- ▶ Електроінструменти та їх приладдя потребують дбайливого догляду. Ретельно перевіряйте, чи бездоганно працюють та чи не заклинюють рухові частини, чи не зламалися або не зазнали інших пошкоджень деталі, від яких залежить справна робота електроінструмента. Перед початком роботи з інструментом пошкоджені деталі слід відремонтувати. Багатьох нещасних випадків можна уникнути за умови належного технічного обслуговування електроінструментів.
- ▶ Слідкуйте за тим, щоб ріжучі інструменти завжди залишалися чистими та належним чином заточеними. Дбайливо доглянути ріжучий інструмент із гострими різальними кромками не так часто заклинюється, і з ним легше працювати.
- ▶ Під час експлуатації електроінструмента, приладдя до нього, робочих інструментів тощо дотримуйтеся наведених у цьому документі вказівок. При цьому завжди враховуйте умови в місці



виконання робіт та дії, яких вимагає поставлене завдання. Використання електроінструментів не за призначенням може призвести до виникнення небезпечних ситуацій.

- ▶ **Слідкуйте за тим, щоб поверхні рукояток були чистими та сухими, та не допускайте їхнього забруднення мастилом.** Якщо поверхні рукояток слизькі, це унеможливає впевнене контролювання електроінструмента у непередбачених ситуаціях.

Сервісне обслуговування

- ▶ **Доручайте ремонт електроінструмента лише кваліфікованому персоналу зі спеціальною підготовкою за умови використання тільки оригінальних запасних частин.** Це забезпечить функціональність електроінструмента.

2.2 Указівки з техніки безпеки при роботі зі свердлильними інструментами

Указівки з техніки безпеки для виконання усіх типів робіт

- ▶ **Під час ударного свердління використовуйте захисні навушники.** Тривалий вплив шуму може призвести до втрати слуху.
- ▶ **Використовуйте додаткову рукоятку.** Втрата контролю над інструментом може стати причиною травмування.
- ▶ **Тримайте електроінструмент за ізольовані поверхні рукояток, оскільки під час використання робочий інструмент або гвинт може натрапити на приховані електричні кабелі або з'єднувальний кабель інструмента.** У разі контакту з електричним кабелем, який знаходиться під напругою, металеві деталі інструмента також потраплять під напругу, а це може призвести до ураження електричним струмом.

Указівки з техніки безпеки під час застосування довгих свердел

- ▶ **Швидкість обертання у жодному разі не повинна перевищувати максимально припустиму швидкість обертання свердла.** Якщо свердло обертатиметься із більшою швидкістю, то під час вільного обертання без контакту з оброблюваним об'єктом воно може деформуватися, що у свою чергу може спричинити травми.
- ▶ **Завжди розпочинайте свердління за низької швидкості обертання, попередньо встановивши свердло на оброблюваний об'єкт.** Якщо свердло обертатиметься із більшою швидкістю, то під час вільного обертання без контакту з оброблюваним об'єктом воно може деформуватися, що у свою чергу може спричинити травми.
- ▶ **На свердло дозволяється натискати лише у поздовжньому напрямку, не докладаючи при цьому надмірних зусиль.** Невиконання цієї вказівки може призвести до руйнування свердла внаслідок його деформування або спричинити травми внаслідок втрати контролю над інструментом.

Указівки з техніки безпеки під час використання насадок-мішалок та міксерів

- ▶ **Вмикати та вимикати електроінструмент дозволяється лише в тому випадку, коли насадка-мішалка знаходиться у розмішуваному матеріалі.** Невиконання цієї вказівки може призвести до травмування внаслідок втрати контролю над інструментом.

2.3 Додаткові вказівки з техніки безпеки під час роботи з перфатором

Безпека персоналу

- ▶ Користуйтеся лише повністю справним інструментом та приладдям.
- ▶ Вносити будь-які зміни до конструкції інструмента або приладдя заборонено.
- ▶ Використовуйте додаткові рукоятки, що входять до комплекту постачання інструмента. Втрата контролю над інструментом може стати причиною травмування.
- ▶ Під час наскрізної обробки укріпіть відповідну ділянку поверхні з протилежного боку деталі. Осколки можуть розлітатися у різні боки та/або вниз і травмувати інших людей.
- ▶ Завжди міцно тримайте інструмент обома руками за передбачені для цього рукоятки. Слідкуйте за тим, щоб рукоятки були сухими та чистими.
- ▶ Якщо під час виконання робіт існує ймовірність того, що змінний робочий інструмент може натрапити на приховану електропроводку, утримуйте інструмент за ізольовані поверхні рукояток. У разі контакту з електричним кабелем, який знаходиться під напругою, металеві деталі інструмента також потраплять під напругу, а це може призвести до ураження електричним струмом.
- ▶ Уникайте контакту з деталями інструмента, що обертаються. Існує ризик отримання травм!
- ▶ Під час роботи з інструментом використовуйте захисні окуляри, каску, захисні навушники та відповідні засоби захисту органів дихання.
- ▶ Під час заміни робочого інструмента користуйтеся захисними рукавицями. Контакт зі змінним робочим інструментом може призвести до отримання порізів або опіків.
- ▶ Використовуйте захисні окуляри. Уламки матеріалу можуть завдати поранень або пошкодити очі.



- ▶ Пил, який утворюється під час шліфування, обробки наждачним папером, різання та свердління певних матеріалів, може містити небезпечні хімічні речовини. Деякі приклади таких матеріалів: свинець або фарби на основі свинцю; цегла, бетон та інші матеріали, що використовуються для споруджування стін, зокрема природний камінь та інші речовини, які містять силікати; певні види деревини, зокрема дуб або бук, а також деревина, яка пройшла хімічну обробку; азбест або матеріали, що містять азбест. Визначайте рівень впливу пилу на оператора та осіб, які знаходяться поблизу, приймаючи до уваги клас безпеки оброблюваних матеріалів. Вживайте потрібних заходів, щоб утримувати вплив пилу на мінімально можливому рівні, зокрема використовуйте систему видалення пилу або відповідний респіратор. До загальних заходів, спрямованих на зменшення впливу пилу, належать такі:
 - ▶ виконання робіт на добре провітрюваній ділянці;
 - ▶ уникнення тривалого контакту з пилом;
 - ▶ недопущення контакту пилу з обличчям та тілом;
 - ▶ використання захисного одягу, а також миття засмічених ділянок водою з милом.
- ▶ Часто робіть перерви у роботі та виконуйте вправи на розминання пальців, щоб покращити кровообіг у них. Під час довготривалих робіт високочастотна вібрація може пошкодити судини або нерви у пальцях, руках або зап'ясткових суллобах.

Електрична безпека

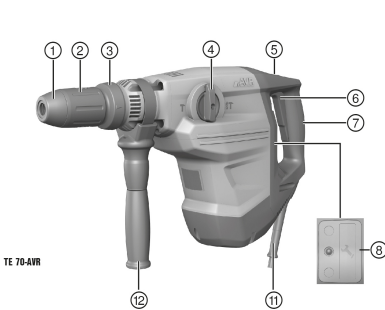
- ▶ Перед початком роботи перевіряйте робоче місце на наявність прихованих електричних кабелів, газових та водопровідних труб. Якщо під час роботи будуть випадково пошкоджені електричні кабелі, газовий або водяний трубопровід, то їхній контакт із відкритими металевими деталями інструмента може спричинити ураження електричним струмом або вибух.

Належне використання електроінструментів та дбайливий догляд за ними

- ▶ Якщо сталося блокування змінного робочого інструмента, негайно вимкніть електроінструмент. Інструмент може відхилитися вбік.
- ▶ Зачекайте, доки змінний робочий інструмент повністю зупиниться, перш ніж знімати його з оброблюваного об'єкта.

3 Опис

3.1 Огляд продукту



- ① Пилозахисний ковпак
- ② Затисний патрон
- ③ Пристрій для деблокування змінного робочого інструмента
- ④ Перемикач функцій
- ⑤ Фіксатор вимикача
- ⑥ Вимикач
- ⑦ Рукоятка
- ⑧ Сервісний індикатор
- ⑪ Кабель живлення
- ⑫ Бокова рукоятка

3.2 Використання за призначенням

Описаний у цьому документі інструмент являє собою комбінований перфоратор з електричним приводом та пневматичним ударним механізмом. Він призначений для свердління отворів у бетоні, цегляній кладці, деревині та металі. Інструмент також може використовуватися для довальних робіт на цегляній кладці в умовах легкого та середнього навантаження, а також для чистої обробки поверхні бетону.

- ▶ Експлуатація інструмента можлива лише за умови, що напруга і частота мережі живлення відповідають вказаним на заводській табличці значенням.

3.3 Система AVR (опція)

Інструмент може бути додатково оснащений системою Active Vibration Reduction (AVR), яка значно знижує рівень вібрації.



3.4 Сервісний індикатор

Інструмент оснащений сервісним індикатором зі світловим сигналом.

3.4.1 Стан сервісного індикатора

Стан	Значення
Сервісний індикатор горить червоним.	Інструмент потребує планового технічного обслуговування.
Сервісний індикатор мигає червоним.	Передайте комбінований перфоратор до сервісної служби компанії Hilti для здійснення ремонту.

3.5 Комплект постачання

Комбінований перфоратор, бокова рукоятка, інструкція з експлуатації.

Інше приладдя, допущене до експлуатації з Вашим інструментом, Ви можете придбати у **Hilti Store** або на веб-сайті www.hilti.group | США: www.hilti.com

4 Технічні дані



Номінальна напруга, номінальний струм, частота та/або номінальна споживана потужність вказані на заводській табличці інструмента, передбаченій для Вашої країни.

Якщо живлення інструмента здійснюється від генератора або трансформатора, то його вихідна потужність має принаймні вдвічі перевищувати номінальну споживану потужність, вказану на заводській табличці інструмента. Робоча напруга трансформатора або генератора повинна постійно перебувати у межах від +5 % до -15 % від номінальної напруги інструмента.

	TE 70-AVR
Маса згідно з процедурою EPTA 01	8,3 кг
Енергія поодинокого удару згідно з процедурою EPTA від 05	11,5 Дж
Ø свердла для перфоратора	12 мм ... 55 мм
Ø свердла для деревини	10 мм ... 32 мм
Ø свердла для металу	0 мм ... 20 мм

4.1 Дані про шум та значення вібрації, виміряні згідно зі стандартом EN 62841

Наведені у цих рекомендаціях значення звукового тиску та вібрації були виміряні згідно з установленою процедурою вимірювання та можуть використовуватися для порівняння електроінструментів. Вони також придатні для попереднього оцінювання шумового та вібраційного навантаження.

Наведені дані обумовлюють переважні сфери застосування електроінструмента. Однак якщо Ви використовуєте його не за призначенням, застосовуєте нестандартне приладдя або неналежним чином здійснюєте догляд за інструментом, ці дані можуть відрізнитися від вказаних значень. Це може призвести до помітного збільшення шумового та вібраційного навантаження протягом усього робочого часу.

Для більш точної оцінки шумового та вібраційного навантаження необхідно враховувати також проміжний час, протягом яких виріб залишається вимкненим або працює на холостому ходу. Це може значно зменшити вібраційне та шумове навантаження протягом усього робочого часу.

Необхідно також вживати додаткових заходів безпеки з метою захисту працівників від дії шуму та/або вібрації, зокрема: проводити своєчасне технічне обслуговування електроінструмента та змінних робочих інструментів до нього, тримати руки у теплі, належним чином організувати робочий процес.

Рівень шуму

	TE 70-AVR
Рівень шумової потужності (L_{WA})	113 дБ(А)
Похибка для рівня шумової потужності (K_{WA})	3 дБ(А)



	TE 70-AVR
Рівень звукового тиску (L_{pA})	99 дБ(A)
Похибка для рівня звукового тиску (K_{pA})	3 дБ(A)

Сумарне значення вібрації

	TE 70-AVR
Ударне свердління отворів у бетоні ($a_{h, HD}$)	10,8 м/с ²
Довбання отворів ($a_{h, Cheq}$)	9 м/с ²
Похибка (K)	1,5 м/с ²

5 Експлуатація**5.1 Установлення бокової рукоятки 2****⚠ ОБЕРЕЖНО**

Ризик отримання травм Втрата контролю над інструментом.

- ▶ Переконайтеся в тому, що бокова рукоятка правильно змонтована і належним чином закріплена. Переконайтеся, що стяжна стрічка знаходиться у призначеному для неї пазу на інструменті.
- ▶ Установіть бокову рукоятку.

5.2 Установлення/змінення змінного робочого інструмента 3

i Використання невідповідного консистентного мастила може спричинити несправність інструмента. **Використовуйте лише оригінальне мастило виробництва компанії Hilti.**

Перш ніж розпочинати роботу, завжди перевіряйте робочий інструмент на наявність пошкоджень та нерівномірного зношення; за необхідності замініть робочий інструмент.

- ▶ Установіть/зніміть змінний робочий інструмент.

5.3 Безударне свердління отворів 4

i Безударне свердління отворів можна виконувати, застосовуючи змінні робочі інструменти зі спеціальним хвостовиком. Вони розповсюджуються у рамках програми постачання змінних робочих інструментів компанії Hilti.

За допомогою швидкозатискного патрона, наприклад, можна встановлювати на інструмент свердла для деревини або сталі й виконувати ними безударне свердління отворів.

- ▶ Установіть перемикач функцій у положення «Ударне свердління отворів» **2T**.

5.4 Ударне свердління 4

- ▶ Установіть перемикач функцій у положення «Ударне свердління отворів» **2T**.

5.5 Позиціонування зубила 4**⚠ ОБЕРЕЖНО**

Ризик отримання травм! Втрата контролю над напрямом зубила.

- ▶ Забороняється працювати, коли перемикач знаходиться в положенні «Позиціонування зубила». Установіть перемикач функцій у положення «Довбання отворів», поки він не зафіксується.

i Зубило може бути виставлене в 24 різних позиціях (через кожні 15°). Це надає можливість працювати плоскими та фасонними зубилами в оптимальному для кожного їх різновиду робочому положенні.



- ▶ Установіть перемикач функцій у положення «Позиціонування зубила» →.

5.6 Довбання отворів

- ▶ Установіть перемикач функцій у положення «Довбання отворів» T.

5.7 Фіксатор вимикача



У режимі довбання отворів вимикач може бути зафіксований в увімкненому положенні.

- ▶ Скористайтеся фіксатором вимикача.

6 Догляд і технічне обслуговування



ПОПЕРЕДЖЕННЯ

Небезпека ураження електричним струмом! Здійснення догляду та технічного обслуговування інструмента, що підключений до мережі живлення, може призвести до тяжких травм та опіків.

- ▶ Завжди діставайте штекер кабелю живлення з розетки, перш ніж розпочинати роботи з догляду та технічного обслуговування!

Догляд

- Обережно видаляйте накопичення бруду.
- Обережно прочищайте вентиляційні прорізи сухою щіткою.
- Протирайте корпус вологою тканиною. Забороняється використовувати миючі засоби, що містять силікон, оскільки вони можуть пошкодити пластмасові деталі.

Технічне обслуговування



ПОПЕРЕДЖЕННЯ

Небезпека ураження електричним струмом! Проведення неавторизованого ремонту електричних частин інструмента може призвести до отримання тяжких травм та опіків.

- ▶ До ремонту електричної частини інструмента залучайте лише фахівця-електрика.
- Регулярно перевіряйте усі зовнішні частини на наявність пошкоджень, а органи керування інструмента – на предмет справної роботи.
- Якщо Ви виявили пошкодження та/або порушення функціональності інструмента, припиніть його використання. негайно зверніться до сервісної служби компанії **Hilti** для здійснення ремонту.
- Після проведення догляду і технічного обслуговування встановіть усі захисні пристрої та перевірте їхню роботу.



Щоб гарантувати належну роботу інструмента, використовуйте тільки оригінальні запасні частини та видаткові матеріали. Рекомендовані запасні частини, видаткові матеріали та приладдя для Вашого інструмента Ви можете придбати у найближчому магазині **Hilti Store** або на веб-сайті www.hilti.group.

7 Транспортування та зберігання

- Забороняється транспортувати цей електроінструмент з установленим змінним робочим інструментом.
- На час зберігання електроінструмента слід завжди виймати штепсельну вилку із розетки.
- Зберігайте інструмент у сухому місці, недоступному для дітей та сторонніх осіб.
- Перш ніж використовувати інструмент після довготривалого зберігання або дальніх перевезень, його слід перевірити на наявність пошкоджень.

8 Допомога у разі виникнення несправностей

У разі виникнення несправностей, які не зазначені у цій таблиці або які Ви не можете полагодити самостійно, зверніться до сервісної служби компанії **Hilti**.



8.1 Пошук і усунення несправностей

Несправність	Можлива причина	Рішення
Комбінований перфоратор не вмикається.	Збій в мережі електроживлення.	► Приєднайте інший інструмент до мережі живлення та перевірте його функціональність.
	Генератор в режимі очікування (Sleep Mode).	► Збільште навантаження на генератор, підключивши до нього ще один пристрій (наприклад, освітлювальну лампу для будівельного майданчика). Вимкніть інструмент, а потім увімкніть його знову.
	Електронна система блокування повторного вмикання інструмента після збою в електромережі живлення активована.	► Вимкніть інструмент, а потім увімкніть його знову.
	Зношилися вугільні щітки.	► Для перевірки зверніться до фахівця-електрика і в разі необхідності виконайте заміну.
Відсутній удар.	Інструмент занадто холодний.	► Установіть комбінований перфоратор на робочу поверхню та дайте йому попрацювати на холостому ходу. За необхідності повторіть операцію, доки ударний механізм не почне працювати.
Комбінований перфоратор працює не на повну потужність.	Подовжувальний кабель занадто довгий та/або має занадто малий поперечний переріз.	► Використовуйте подовжувальний кабель належної довжини та/або з достатнім поперечним перерізом.
	Вимикач неповністю натиснуто.	► Натисніть вимикач до упору.
Свердло не обертається.	Занадто низька напруга джерела електроживлення.	► Підключіть інструмент до іншого джерела живлення.
	Перемикач функцій не зафіксувався або знаходиться в положенні «Довбання отворів» T або «По-зиціонування зубила» -Z .	► Коли інструмент зупинений, установіть перемикач функцій у положення «Ударне свердління отворів» IT .
Свердло неможливо розблокувати з фіксатора.	Затиснений патрон не повністю відведений назад.	► Відведіть фіксатор змінного робочого інструмента назад до упору і вийміть робочий інструмент.
	Бокова рукоятка неправильно змонтована.	► Зніміть бокову рукоятку, а потім належним чином установіть її знову, щоб натяжна стрічка й бокова рукоятка зафіксувалися в заглибині.
Сервісний індикатор мигає червоним.	Інструмент вийшов з ладу.	► Передайте інструмент до сервісної служби компанії Hilti для здійснення ремонту.
Сервісний індикатор горить червоним.	Зношилися вугільні щітки.	► Для перевірки зверніться до фахівця-електрика і в разі необхідності виконайте заміну.

9 Утилізація

Більшість матеріалів, з яких виготовлено інструменти компанії **Hilti**, придатні для вторинної переробки. Передумовою для їхньої вторинної переробки є належне сортування відходів за типом матеріалу.



теріалу. У багатьох країнах світу компанія **Hilti** приймає старі інструменти для їхньої утилізації. Щоб отримати додаткову інформацію з цього питання, звертайтеся до сервісної служби компанії **Hilti** або до свого торгового консультанта.



- ▶ Не викидайте електроінструменти, електронні пристрої та акумуляторні батареї у баки для побутового сміття!

10 RoHS (директива КНР про обмеження використання небезпечних речовин)

Щоб переглянути таблицю з інформацією про небезпечні речовини, будь ласка, перейдіть за такими посиланнями: qr.hilti.com/r1021413

Посилання на таблицю з інформацією про речовини, включені до директиви RoHS, наведено наприкінці цього документа у вигляді QR-коду.

11 Гарантійні зобов'язання виробника

- ▶ З питань гарантії, будь ласка, звертайтеся до найближчого партнера компанії **Hilti**.

Түпнұсқа пайдалану бойынша нұсқаулық

1 Пайдалану бойынша нұсқаулық туралы мәліметтер

1.1 Бұл құжаттама туралы



Импорттауыш және өндірушінің өкілетті ұйымы

- (RU) Ресей Федерациясы
"Хилти Дистрибьюшн ЛТД" АҚ, 141402, Мәскеу облысы, Химки қ., Ленинградская к-сі, 25-бет, 15.26-құрылымы
- (BY) Беларусь Республикасы
"Хилти БиУай" ЖШС, 222750, Минск облысы, Дзержин ауданы, Р-1, 18 км, 2 (Слободка ауылының жанында), 1-34 құрылымы
- (KZ) Қазақстан Республикасы
"Хилти Қазақстан" ЖШС, 050057, Алматы қ., Бостандық ауданы, Тимирязев к-сі, 42/15 үй, литер 012 (15 корпус)
- (KG) Қырғыз Республикасы
"Т AND Т" ЖШҚ, 720021, Қырғызстан, Бішкек қ., Ибраимов көш., 29 А үйі
- (AM) Армения Республикасы
"ЭЙЧ-КОН" ЖШҚ, 0070, Ереван қ., Ерманда Кочар к-сі, 19/28

Өндірілген елі: жабдықтағы белгілеу тақтайшасын қараңыз.

Өндірілген күні: жабдықтағы белгілеу тақтайшасын қараңыз.

Тиісті сертификатты мына мекенжай бойынша табуға болады: www.hilti.ru

Сақтау, тасымалдау және пайдалану шарттарына пайдалану бойынша нұсқаулықта белгіленгеннен басқа арнайы талаптар қойылмайды.

Өнімнің қызмет ету мерзімі 5 жыл.

- Іске қосу алдында осы пайдалану бойынша нұсқаулықты оқып шығыңыз. Бұл қауіпсіз жұмыс пен ақаусыз басқару үшін алғышарт болып табылады.
- Осы пайдалану бойынша нұсқаулықтағы және өнімдегі қауіпсіздік және ескерту нұсқауларын орындаңыз.
- Пайдалану бойынша нұсқаулықты әрдайым өнімде сақтаңыз және өнімді басқа тұлғаларға тек осы пайдалану бойынша нұсқаулықпен бірге тапсырыңыз.



1.2 Шартты белгілердің анықтамасы

1.2.1 Ескерту

Ескертулер өнімді қолдану барысындағы қауіптер туралы ескертеді. Төмендегі сигналдық сөздер пайдаланылады:

ҚАУІПТІ

ҚАУІПТІ !

- ▶ Ауыр жарақаттарға әкелетін немесе өмірге қауіп төндіретін тікелей қауіпті жағдайдың жалпы белгіленуі.

ЕСКЕРТУ

ЕСКЕРТУ !

- ▶ Ауыр жарақаттарға әкелуі немесе өмірге қауіп төндіруі мүмкін ықтимал қауіпті жағдайдың жалпы белгіленуі.

АБАЙЛАҢЫЗ

АБАЙЛАҢЫЗ !

- ▶ Жарақат алуға немесе мүліктің зақымдалуына әкелуі мүмкін ықтимал қауіпті жағдайдың жалпы белгіленуі.

1.2.2 Пайдалану бойынша нұсқаулықтағы белгілер

Бұл пайдалану бойынша нұсқаулықта төмендегі белгілер пайдаланылады:

	Пайдалану бойынша нұсқаулықты ұстану
	Аспапты пайдалану бойынша нұсқаулар және басқа пайдалы ақпарат
	Қайта пайдалануға болатын материалдармен жұмыс істеу
	Электр аспаптарды және аккумуляторларды тұрмыстық қоқысқа тастамаңыз

1.2.3 Суреттердегі белгілер

Суреттерде төмендегі белгілер қолданылады:

	Бұл сандар осы пайдалану бойынша нұсқаулықтың басындағы тиісті суретке сәйкес келеді.
3	Суреттердегі нөмірлер маңызды жұмыс кезеңдерін немесе жұмыс кезеңдері үшін маңызды құрамдас бөлшектерді көрсетеді. Мәтінде бұл жұмыс кезеңдері немесе құрамдас бөлшектер сәйкес сандармен ерекшеленеді, мысалы, (3) .
	Позиция нөмірлері Шолу суретінде қолданылады және Өнімге шолу мақаласындағы шартты белгілердің нөмірлеріне сілтейді.
	Аталмыш белгілер өнімді қолдану барысында айрықша назарыңызды аудартады.

1.3 Өнімге қатысты белгілер

1.3.1 Өнімдегі белгілер

Төмендегі белгілер өнімде қолданылады:

	Соққымен бұрғылау (соғып бұрғылау)
	Кескішпен өңдеу
	Кескішті орналастыру
	II қорғау класы (қос изоляция)



n_0	Жүктөмөсүз номиналды айналу жиілігі
/min	Минут ішіндегі айналымдар
RPM	Минут ішіндегі айналымдар
\varnothing	Диаметр
	Айнымалы ток
	Құрылғы iOS және Android платформаларымен үйлесімді NFC технологиясын қолдайды.

1.4 Өнім туралы ақпарат

HILTI өнімдері кәсіби пайдаланушыларға арналған және оларды тек қана өкілетті, білікті қызметкерлер пайдалануы, күтім және техникалық қызмет көрсетуі тиіс. Қызметкерлер қауіпсіздік техникасы бойынша арнайы нұсқау алуы керек. Өнім мен оның қосалқы құралдарын басқа мақсатта қолдану немесе олардың оқытылмаған қызметкерлердің тарапынан пайдаланылуы қауіпті.

Түр сипаттамасы мен сериялық нөмір фирмалық тақтайшада берілген.

- Сериялық нөмірді төмендегі кестеге көшіріп қойыңыз. Өнім туралы мәліметтерді өкілдігімізге немесе қызмет көрсету бөлімімізге сұрау беру арқылы алуға болады.

Өнім туралы мәліметтер

Құрама перфоратор	TE 70-AVR
Буын	03
Сериялық нөмір	

1.5 Сәйкестілік декларациясы

Біз осы нұсқаулықта сипатталған өнімнің қолданыстағы директивалар мен нормативтерге сәйкес келетінін толық жауапкершілікпен жариялаймыз. Сәйкестілік декларациясының суреті осы құжаттаманың соңында орналасқан.

Техникалық құжаттама мына жерде сақталған:

Hilti Entwicklungsgesellschaft mbH | Zulassung Geräte | Hiltistraße 6 | 86916 Kaufering, DE

2 Қауіпсіздік

2.1 Электр құралдары үшін қауіпсіздік техникасы бойынша жалпы нұсқаулар

⚠ ЕСКЕРТУ Бұл электр құралына арналған барлық қауіпсіздік нұсқауларын, нұсқауларды, суреттерді және техникалық деректерді оқып шығыңыз. Төменде берілген нұсқауларды орындамау электр тогының соғуына, өртке әкелуі мүмкін және/немесе ауыр жарақаттарды тудыруы мүмкін.

Қауіпсіздік техникасы бойынша барлық нұсқауларды және нұсқауларды келесі пайдаланушы үшін сақтаңыз.

Қауіпсіздік нұсқауларында қолданылатын «электр құралы» термині электр желісінен (желілік кабельмен) және аккумулятордан (желілік кабельсіз) жұмыс істейтін электр құралын білдіреді.

Жұмыс орны

- **Жұмыс орнындағы тазалықты және тәртіпті қадағалаңыз.** Жұмыс орнындағы ретсіздік және нашар жарық сәтсіз жағдайларға әкелуі мүмкін.
- **Жанғыш сұйықтықтар, газдар немесе шаң бар жарылыс қаупі бар аймақта электр құралын қолданбаңыз.** Жұмыс кезінде электр құралдары ұшқындар шығады және ұшқындар шаңды немесе буларды тұтандыруы мүмкін.
- **Балалардың және бөгде адамдардың жұмыс істеп тұрған электр құралына жақындауына рұқсат етпеңіз.** Жұмысқа көңіл бөлмегенде, электр құралын бақылау жоғалуы мүмкін.

Электр қауіпсіздігі

- **Электр құралдың байланыс ашасы электр желісінің розеткасына сай болуы керек. Айырдың конструкциясын өзгертпеңіз. Қорғауыш жерге қосуы бар электр құралдарымен бірге өтпелі айырларды қолданбаңыз.** Түпнұсқа айырлар және оларға сай розеткалар электр тогының соғу қаупін азайтады.



- ▶ **Жерге қосылған беттерге, мысалы, құбырларға, жылыту құралдарына, пештерге (плиталарға) және тоназытқыштарға тікелей тиюді болдырмаңыз.** Жерге қосылған заттарға тигенде электр тогының соғуының үлкен қаупі туындайды.
- ▶ **Электр құралдарды жаңбырдан немесе ылғал әсерінен сақтаңыз.** Электр құралға су тиюі нәтижесінде электр тогының соғу қаупі артады.
- ▶ **Байланыс сымын басқа мақсатта қолданбаңыз, мысалы, электр құралды тасымалдау, оны іліп қою немесе электр желісінің розеткасынан айырды шығару үшін.** Байланыс сымын жылу, май, өткір жиектер немесе жылжымалы бөліктерден алшақ ұстаңыз. Байланыс сымының зақымдалуы немесе қабаттасуы нәтижесінде электр тогының соғу қаупі артады.
- ▶ **Егер жұмыстар ашық ауада орындалса, тек бөлмелерден тыс қолдануға рұқсат етілген ұзартқыш сымдарды пайдаланыңыз.** Бөлмелерден тыс қолдануға жарамды ұзартқыш сымды пайдалану электр тогының соғу қаупін азайтады.
- ▶ **Егер электр құралмен ылғалдылық жағдайларында жұмыс істеуді болдырмау мүмкін емес болса, шығып кететін токтан қорғау автоматын қолданыңыз.** Шығып кететін токтан қорғау автоматын қолдану электр тогының соғу қаупін азайтады.

Адамдардың қауіпсіздігі

- ▶ **Ұқыпты болыңыз, әрекеттеріңізге көңіл бөліңіз және электр құралымен жұмыс істеуге дұрыс қараңыз.** Шаршаған кезде немесе есірткі, алкоголь не дәрі қабылдаған соң электр құралын қолданбаңыз. Электр құралын қолданған кездегі зейінсіздік ауыр жарақаттарға апарып соғуы мүмкін.
- ▶ **Жеке қорғану құралдарын пайдаланыңыз және әрқашан міндетті түрде қорғауыш көзілдірікті киіңіз.** Электр құралының түріне және пайдалану жағдайларына байланысты жеке қорғану құралдарын, мысалы, шаңдан қорғайтын респираторды, сырғымайтын аяқ киімді, қорғауыш шлемді, естуді қорғау құралдарын қолдану жарақаттану қаупін азайтады.
- ▶ **Электр құралының кездейсоқ қосылуын болдырмаңыз.** Электр қуатына қосу және/немесе аккумуляторды қою, көтеру немесе тасымалдау алдында электр құралы өшірілгеніне көз жеткізіңіз. Электр құралын тасымалдағанда саусақтар сөндіргіште болатын немесе қосылған электр құралы желіге қосылатын жағдайлар сәтсіз жағдайларға әкелуі мүмкін.
- ▶ **Электр құралын қосу алдында реттеуші құрылғыларды және гайка кілтін алыңыз.** Электр құралының айналатын бөлігіндегі аспап немесе кілт жарақаттарға әкелуі мүмкін.
- ▶ **Жұмыс кезінде ыңғайсыз қалыптарға тұрмауға тырысыңыз. Үнемі тұрақты күйді және тепе-теңдікті сақтаңыз.** Бұл күтпеген жағдайларда электр құралын жақсырақ басқаруға мүмкіндік береді.
- ▶ **Арнайы киімді киіңіз. Өте бос киімді немесе әшекейлерді кимеңіз. Шашты, киімді және қолғапты электр құралының айналатын түйіндерінен сақтаңыз.** Бос киім, әшекейлер және ұзын шаш оларға ілінуі мүмкін.
- ▶ **Егер шанды жинау және кетіруге арналған құрылғыларды қосу қарастырылған болса, олар қосылғанына және мақсаты бойынша қолданылып жатқанына көз жеткізіңіз.** Шанды кетіру модулін пайдалану шаңның зиянды әсерін азайтады.
- ▶ **Өз мойныңызға қате қауіпсіздік сезімін алмаңыз және электр құралына арналған қауіпсіздік ережелерін бұзбаңыз, тіпті электр құралын жиі қолданатын тәжірибелі пайдаланушы болсаңыз.** Мұқиятсыз қолдану бірнеше секундта ауыр жарақаттануға апарып соғуы мүмкін.

Электр құралын қолдану және оған қызмет көрсету

- ▶ **Аспапқа шамадан тыс жүктеме түсуін болдырмаңыз. Нақ осы жұмысқа арналған электр құралын қолданыңыз.** Бұл ережені сақтау көрсетілген қуат диапазонында жоғарырақ жұмыс сапасын және қауіпсіздігін қамтамасыз етеді.
- ▶ **Сөндіргіші бұзылған электр құралын қолданбаңыз.** Қосу немесе өшіру қиын электр құралы қауіпті және оны жөндеу керек.
- ▶ **Электр құралын реттеуге, саймандарды ауыстыруға кірісу алдында немесе жұмыстағы үзіліс алдында розеткадан ашаны және/немесе электр құралынан алмалы-салмалы аккумуляторды шығарыңыз.** Бұл сақтық шарасы электр құралының кездейсоқ қосылуын болдырмайды.
- ▶ **Қолданылмайтын электр құралдарын балалар жетпейтін жерде сақтаңыз.** Аспаппен таныс емес немесе осы нұсқауларды оқып шықпаған адамдарға аспапты пайдалануға рұқсат бермеңіз. Электр құралдары тәжірибесі жоқ пайдаланушылардың қолында қауіпті болады.
- ▶ **Электр құралдары мен керек-жарақтарға ұқыпты қараңыз.** Айналмалы бөліктердің мүлтіксіз қызмет ететінін, олардың жүрісінің жеңілдігін, барлық бөліктердің тұтастығын және электр құралының жұмысына теріс әсер етуі мүмкін зақымдардың жоқтығын тексеріңіз. Аспаптың зақымдалған бөліктерін оны қолдану алдында жөндеуге өткізіңіз. Электр құралына техникалық қызмет көрсету ережелерін сақтамау көп сәтсіз жағдайлардың себебі болып табылады.



- ▶ **Кескіш аспаптардың үшкір және таза болуын қадағалау керек.** Жұмыс күйінде сақталатын кескіш аспаптардың сыналануы сиректеу болады, оларды басқару жеңілдеу.
- ▶ **Электр құралын, саймандарды, көмекші құрылғыларды және т.б. нұсқауларға сай пайдаланыңыз.** Бұл кезде жұмыс жағдайларын және орындалатын жұмыстың сипатын ескеріңіз. Электр құралдарын басқа мақсаттарда қолдану қауіпті жағдайларға әкелуі мүмкін.
- ▶ **Тұтқыштар мен тұтқыш беттерін таза, құрғақ, май іздерінсіз ұстаңыз.** Сырғанақ тұтқыштар мен олардың беттері белгілі бір жағдайларда электр құралының қауіпсіз қолданылуы мен басқарылуына жол бермейді.

Қызмет көрсету

- ▶ **Электр құралын жөндеуді тек түпнұсқа қосалқы бөлшектерді қолданатын білікті қызметкерлерге сеніп тапсырыңыз.** Бұл электр құралын қауіпсіз күйде сақтауды қамтамасыз етеді.

2.2 Дрельдермен жұмыс істегендегі қауіпсіздік техникасы бойынша нұсқаулар

Барлық жұмыстарға арналған қауіпсіздік техникасы бойынша нұсқаулар

- ▶ **Соққымен бұрғылау кезінде қорғауыш құлаққапты киіңіз.** Шу әсерінің нәтижесінде есту қабілеті жоғалуы мүмкін.
- ▶ **Қосымша тұтқышты пайдаланыңыз.** Аспапты бақылауды жоғалту жарақаттарға әкелуі мүмкін.
- ▶ **Алмалы-салмалы құрал немесе бұрандалар жасырын қуат сымдарымен немесе өзінің байланыс сымдарымен жанасу мүмкіндігі бар жұмыстарды орындап жатқан кезде электр құралын оқшауланған тұтқа беттерінен ұстаңыз.** Электр сымдарына тигенде аспаптың қорғалмаған металл бөліктері кернеу астында болады. Бұл электр тогының соғуына әкелуі мүмкін.

Ұзын бұрғы пайдаланылған кездегі қауіпсіздік техникасы бойынша нұсқаулар

- ▶ **Бұрғы үшін рұқсат етілген максималды айналу жиілігінен жоғары айналу жиілігімен еш жағдайда жұмыс істемеңіз.** Айналу жиілігі жоғары болған жағдайда бұрғы дайындамамен жанаспай еркін айналғаннан сәл қисайып кетуі және жарақаттануға апарып соғуы мүмкін.
- ▶ **Бұрғылау әрекетін әрдайым төмен айналу жиілігімен және бұрғы дайындамамен жанасып тұрғанда ғана бастаңыз.** Айналу жиілігі жоғары болған жағдайда бұрғы дайындамамен жанаспай еркін айналғаннан сәл қисайып кетуі және жарақаттануға апарып соғуы мүмкін.
- ▶ **Шамадан артық қысым қолданбаңыз және тек қана бойлық бағытпен бұрғылаңыз.** Бұрғылар қисайып жарылуы мүмкін немесе бақылау мүмкіндігінен айырылып, жарақат алуыңыз мүмкін.

Араластырығыш себеттер мен араластырығыш қалақшаларды пайдалану кезіндегі қауіпсіздік техникасы бойынша нұсқаулар

- ▶ **Араластырығыш себет араластырылатын материалға қойылғанда ғана электр құралын қосыңыз немесе өшіріңіз.** Кері жағдайда бақылау мүмкіндігінен айырылып, жарақат алу қаупі туындауы мүмкін.

2.3 Перфоратор қауіпсіздігі бойынша қосымша нұсқаулар

Адамдардың қауіпсіздігі

- ▶ **Өнімді және керек-жарақтарды тек техникалық мінсіз күйінде қолданыңыз.**
- ▶ **Өнімде немесе керек-жарақтарда ешқандай манипуляциялар не өзгерістер орындамаңыз.**
- ▶ **Өнім жинағына кіретін қосымша тұтқыштарды қолданыңыз.** Бақылау мүмкіндігінен айырылу жарақат алуға әкелуі мүмкін.
- ▶ **Тесіп өтетін бұрғылау кезінде қауіпті аймақты қабырғаның қарама-қарсы жағынан қоршаңыз.** Сыртқа шығатын және/немесе төмен түсетін сынықтар адамдарға жарақат тигізуі мүмкін.
- ▶ **Өнімді әрқашан екі қолмен тұтқыштарынан берік ұстаңыз.** Тұтқышты құрғақ әрі таза күйінде ұстаңыз.
- ▶ **Алмалы-салмалы аспап жасырын электр сымдарына тие алатын жұмыстарды өткізген кезде өнімді оқшауланған беттерінен ұстаңыз.** Кернеу өткізгіш сыммен жанасқан жағдайда, аспаптың металл бөліктері де кернеу астына түсіп, ток соғуға әкелуі мүмкін.
- ▶ **Айналымды бөлшектерге тиімеңіз - жарақат алу қаупі бар!**
- ▶ **Өнімді қолдану барысында қорғауыш көзілдірікті, қорғауыш касканы, қорғауыш құлаққапты және жарамды респираторды киіп жүріңіз.**
- ▶ **Құралды алмастырған кезде қорғауыш қолғап киіңіз.** Алмалы-салмалы аспапқа тию кесіктерге және күйіктерге апарып соғуы мүмкін.
- ▶ **Көз қорғанысын пайдаланыңыз.** Материалдың сынықтары денені және көзді жарақаттауы мүмкін.



- ▶ Ажарлау, егеуқұм қағазымен тазалау, кесу және бұрғылау кезінде пайда болатын шаңның құрамында қауіпті химиялық заттар болуы мүмкін. Мысалдары келесідей: қорғасын немесе қорғасын негізіндегі бояулар; плитка, бетон және басқа кірпіш қалау өнімдері, табиғи тас және басқа силикаттық өнімдер; өмен, шамшат және химиялық затпен өңделген сүрек сияқты белгілі бір сүрек түрлері; асбест немесе құрамында асбест бар материалдар. Пайдаланушы мен оның айналасындағы адамдарға әсер ету дәрежесін өңдеу орындалатын материалдардың қауіп класы бойынша анықтаңыз. Әсерді қауіпсіз деңгейде сақтау үшін шаң жинайтын жүйелерді пайдалану немесе арнайы тыныс алу органдарының қорғанысын киіп жүру сияқты қажетті шараларды қолданыңыз. Әсер ету дәрежесін азайту бойынша жалпы шараларға төмендегілер жатады:
 - ▶ Жақсы желдетілген аймақта жұмыс істеу,
 - ▶ Шаңның ұзақ уақыт бойы тиюіне жол бермеу,
 - ▶ Шаңды көз бен денеден алыстату,
 - ▶ Қорғаныс киімін киіп жүру және әсер етілген жерлерді сумен және сабынмен жуу.
- ▶ Саусақтың қан айналымын жақсарту үшін жиі үзіліс жасап, жаттығу жасаңыз. Ұзақ уақыт жұмыс істеген кезде, қатты дірілдердің салдарынан саусақ, қол не буындардың қантамыры не жүйкесіне теріс әсер тиюі мүмкін.

Электр қауіпсіздігі

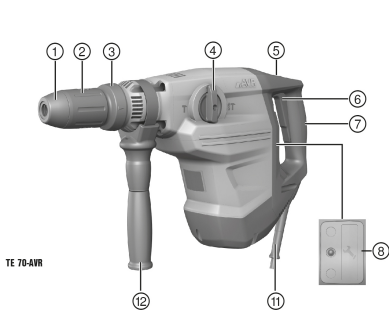
- ▶ Жұмысты бастамас бұрын жұмыс аймағында жасырын сымдардың, газ бен су құбырларының бар-жоғын тексеріп шығыңыз. Қуыт сымына, газ немесе су құбырына зақым келтірген жағдайда, өнімнің сыртындағы металл бөліктер ток соғуға немесе жарылысқа әкелуі мүмкін.

Электр құралмен дұрыс жұмыс істеу және оны дұрыс пайдалану

- ▶ Алмалы-салмалы аспап бұғатталған жағдайда, өнімді дереу өшіріңіз. Өнім бүйірімен ауытқуы мүмкін.
- ▶ Өнімді алып тастау алдында ол толығымен тоқтағанша күтіңіз.

3 Сипаттама

3.1 Өнімге шолу



- ① Шаңнан қорғау қабы
- ② Құрал бекіткіші
- ③ Құрал босатқышы
- ④ Функцияны таңдау қосқышы
- ⑤ Негізгі сөндіргіштің бекіткіші
- ⑥ Негізгі сөндіргіш
- ⑦ Тұтқа
- ⑧ Қызметтік индикатор
- ⑪ Желілік кабель
- ⑫ Бүйірлік тұтқа

3.2 Мақсатына сай қолдану

Сипатталған өнім пневматикалық соғатын механизмі бар электр құрама перфоратор болып табылады. Ол бетон, кірпіш қалауы, ағаш пен металда бұрғылау жұмыстарына арналған. Бұған қоса, бұл өнімді кірпіш қалау бойынша жеңіл және орташа ауыр қашау жұмыстарын және бетон бойынша өңдеу жұмыстарын орындау үшін қолдануға болады.

- ▶ Аспапты тек фирмалық тақтайшада көрсетілгендей электр желісінің кернеуі болғанда пайдалану мүмкін болады.

3.3 Қосымша AVR

Өнімді дірілді айтарлықтай азайтатын қосымша Active Vibration Reduction (AVR) жүйесімен жабдықтауға болады.



3.4 Қызметтік индикатор

Өнім жарық сигналы бар қызметтік индикатормен жабдықталған.

3.4.1 Қызметтік күй индикаторы

Құралдың бөлшектері	Сипаттамасы
Қызметтік индикатор қызыл түспен жанып тұр.	Қызмет көрсету мерзімі шегіне жетті.
Қызметтік индикатор қызыл түспен жыпылықтайды.	Құрама перфораторды Hilti қызмет көрсету орталығында жөндеңіз.

3.5 Жеткізілім жинағы

Құрама перфоратор, бүйірлік тұтқыш, пайдалану бойынша нұсқаулық.

Оған қоса, өніміңіз үшін рұқсат етілген жүйелік өнімді **Hilti Store** дүкенінде немесе келесі веб-сайтта табуға болады: www.hilti.group | АҚШ: www.hilti.com

4 Техникалық сипаттамалар



Номиналды кернеу, номиналды ток, жиілік және/немесе номиналды тұтынылатын қуат туралы ақпарат елге тән фирмалық тақтайшада берілген.

Генераторда немесе трансформаторда жұмыс істеген кезде, осы шығыс қуат аспаптың фирмалық тақтайшасында көрсетілген номиналды тұтынылатын қуаттан кем дегенде екі есе жоғары болуы керек. Трансформатор немесе генератордың басқару кернеуі әрдайым аспаптың номиналды тұтынылатын қуатының +5% және -15% аралығында болуы керек.

	TE 70-AVR
ЕРТА 01 процедурасы бойынша салмағы	8,3 кг
ЕРТА 05 процедурасына сай жалғыз соққы энергиясы	11,5 Дж
Ø Үлкен тесіктерге арналған бұрғы	12 мм ... 55 мм
Ø Ағаш бойынша бұрғы	10 мм ... 32 мм
Ø Металл бұрғысы	0 мм ... 20 мм

4.1 EN 62841 стандарты бойынша шуыл туралы ақпарат және діріл мәні

Осы нұсқауларда көрсетілген дыбыс қысымы мен діріл деңгейі стандартты өлшеу әдісімен өлшенген және оны басқа электр құралдарымен салыстыру үшін пайдалануға болады. Сонымен бірге, ол экспозицияны алдын ала бағалау үшін жарайды.

Берілген деректер электр құралының негізгі жұмысын көрсетеді. Алайда, егер электр құралы басқа мақсаттарда, басқа жұмыс аспаптарымен қолданылса немесе оған қанағаттандырмайтын техникалық қызмет көрсетілсе, деректер өзгеше болуы мүмкін. Осының салдарынан аспаптың бүкіл жұмыс істеу кезеңінде экспозиция айтарлықтай артуы мүмкін.

Экспозицияны дәл анықтау үшін электр құралы сөндірілген күй немесе бос жұмыс істейтін уақыт аралықтарын да ескеру керек. Осының салдарынан аспаптың бүкіл жұмыс істеу кезеңінде экспозиция айтарлықтай азаюы мүмкін.

Пайдаланушыны пайда болатын шуылдан және/немесе дірілден қорғау үшін қосымша сақтық шараларын қолданыңыз, мысалы: электр аспабына және жұмыс аспаптарына техникалық қызмет көрсету, қолдардың жылуын сақтау, жұмыс процестерін дұрыс ұйымдастыру.

Шуылдың эмиссиялық көрсеткіші

	TE 70-AVR
Дыбыс күшінің деңгейі (L_{WA})	113 дБ(A)
Дыбыс күшінің деңгейі бойынша дәлсіздік (K_{WA})	3 дБ(A)
Эмиссиялық дыбыс қысымының деңгейі (L_{pA})	99 дБ(A)
Дыбыс қысымының деңгейі бойынша дәлсіздік (K_{pA})	3 дБ(A)



Дірілдің жалпы көрсеткіші

	TE 70-AVR
Бетонда бұрғылау ($a_{h, HD}$)	10,8 м/с ²
Кескішпен өңдеу ($a_{h, Cheq}$)	9 м/с ²
Дәлсіздік (K)	1,5 м/с ²

5 Қызмет көрсету

5.1 Бүйірлік тұтқышты орнату

АБАЙЛАҢЫЗ

Жарақат алу қаупі Өнімді бақылау мүмкіндігінен айырылу.

- ▶ Бүйірлік тұтқыш дұрыс орнатылғанын және берік бекітілгенін тексеріңіз. Бекітетін сақина өнімдегі арнайы ойықта орналасқанына көз жеткізіңіз.

- ▶ Бүйірлік тұтқышты орнатыңыз.

5.2 Алмалы-салмалы құралды орнату/алып тастау



Жарамсыз майды пайдалану нәтижесінде аспап зақымдалуы мүмкін. **Тек Hilti компаниясы ұсынған түпнұсқа жағармай қолданыңыз.**

Әр пайдаланудан алдын құралда зақымдардың және бірқалыпты болмаған тозудың бар-жоғын тексеріңіз және қажет болған жағдайда ауыстырыңыз.

- ▶ Құралды орнатыңыз / құралды алып тастаңыз.

5.3 Соққысыз бұрғылау



Соққысыз бұрғылау арнайы соңы бар жұмыс аспаптарының көмегімен мүмкін. **Hilti** құралдар бағдарламасында мына құралдар қолжетімді.

Мысалы, тез қысу қысқысында цилиндрлік соңы бар ағаш немесе болат бойынша бұрғыны қысуға және соққысыз бұрғылауды орындауға болады.

- ▶ Функцияны таңдау қосқышын «Соққымен бұрғылау» күйіне орнатыңыз.

5.4 Соққымен бұрғылау (соғатын бұрғылау)

- ▶ Функцияны таңдау қосқышын «Соққымен бұрғылау» күйіне орнатыңыз.

5.5 Кескішті орналастыру

АБАЙЛАҢЫЗ

Жарақат алу қаупі бар! Кескіш бағытының бақылауын жоғалту.

- ▶ «Қашау күйін таңдау» күйінде жұмыс істемеңіз. Функцияны таңдау қосқышын тірелгенше "Кескішпен өңдеу" параметріне орнатыңыз.



Кескішті 24 түрлі позицияға (15° қадамға) орнатуға болады. Осының есебінен жалпақ және қалыпқа түсірілген кескіштерді қажетті жұмыс күйіне орнатуға болады.

- ▶ Функцияны таңдау қосқышын «Кескішті орналастыру» күйіне орнатыңыз.

5.6 Кескішпен өңдеу

- ▶ Функцияны таңдау қосқышын «Кескішпен өңдеу» күйіне орнатыңыз.



5.7 Негізгі сәндіргіштің бекіткіші



Қашау режимінде негізгі сәндіргіштің басылған күйде бекітуге болады.

- ▶ Негізгі сәндіргіштің бекіткішін іске қосыңыз.

6 Күтім және техникалық қызмет көрсету

ЕСКЕРТУ

Ток соғу қаупі бар! Желілік аша енгізіліп тұрған кезде күтім және техникалық қызмет көрсету ауыр жарақаттарға және өртке апарып соғуы мүмкін.

- ▶ Кез келген күтім және техникалық қызмет көрсету жұмысын орындамас бұрын желілік ашаны әрдайым суырып алыңыз!

Аспапты күту

- Қатты жабысқан кірді мұқият кетіріңіз.
- Желдету ойықтарын құрғақ қылшақпен жайлап тазалаңыз.
- Корпусты тек сәл суланған шүберекпен тазалаңыз. Ешқандай силикон қамтитын күтім құралдарын пайдаланбаңыз, өйткені олар пластмасса бөлшектерін зақымдауы мүмкін.

Техникалық қызмет көрсету

ЕСКЕРТУ

Ток соғу қаупі! Электрлік құрамдас бөлшектерді қате жөндеу ауыр жарақаттану мен өртке апарып соғуы мүмкін.

- ▶ Аспаптың электр бөлігін жөндеуді тек маман-электрикке тапсырыңыз.
- Барлық көзге көрінетін бөлшектерде зақымдардың бар-жоғын және басқару элементтерінің ақаусыз жұмысын жиі тексеріп тұрыңыз.
- Өнім зақымдалған және/немесе ақаулы болған жағдайда оны пайдаланушы болмаңыз. Бірден **Hilti** қызмет көрсету орталығына жөндетіңіз.
- Күтім және техникалық қызмет көрсету жұмыстарынан кейін барлық қорғауш құрылғыларды орнатып, жұмысын тексеріңіз.



Қауіпсіз қолдану үшін тек түпнұсқа қосалқы бөлшектер мен жұмсалатын материалдарды қолданыңыз. Біз рұқсат еткен қосалқы бөлшектер, шығын материалдары мен өнімге арналған керек-жарақтар **Hilti Store** дүкенінде немесе келесі веб-сайтта қолжетімді: www.hilti.group.

7 Тасымалдау және сақтау

- Электр аспапты енгізілген құралымен бірге тасымалдамаңыз.
- Электр аспапты әрқашан ажыратылған ашасымен бірге сақтаңыз.
- Аспапты құрғақ күйінде және балалар мен рұқсаты жоқ адамдардың қолы жетпейтін жерде сақтаңыз.
- Электр аспапты ұзақ уақыт тасымалдаған не сақтаған соң, оны пайдалану алдында зақымдардың бар-жоғын тексеріңіз.

8 Ақаулықтардағы көмек

Бұл кестеде келтірілмеген немесе өзіңіз түзете алмайтын ақаулықтар орын алғанда, **Hilti** қызмет көрсету орталығына хабарласыңыз.

8.1 Ақаулықтарды жою

Ақаулық	Ықтимал себеп	Шешім
Құрама перфоратор жұмыс істемейді.	Электр қамтуы жоқ.	▶ Басқа электр құралын жалғап, жұмысын тексеріңіз.



Ақаулық	Ықтимал себеп	Шешім
Құрама перфоратор жұмыс істемейді.	Генератор ұйқы режимінде.	▶ Генераторға екінші тұтынушы жүктеңіз (мысалы, құрылыс шамы). Сонан соң аспапты өшіріп қайта қосыңыз.
	Электр қамтуындағы үзілістен кейін іске қосуды электрондық бұғаттау белсендірілген.	▶ Аспапты өшіріп қайта қосыңыз.
	Көмір қылшақтары тозған.	▶ Тексеру үшін маман-электрикке барыңыз және, қажет болса, ауыстырыңыз.
Соққымен бұрғылау орындалмайды.	Аспап тым суық.	▶ Құрама перфораторды астыңғы бетке қойып, бос жүріспен жұмыс істетіңіз. Қажет болса, соққы механизмі жұмыс істегенше әрекетті қайталаңыз.
Құрама перфоратор толық қуатпен жұмыс істемейді.	Ұзартқыш кабель тым ұзын немесе қимасы жеткіліксіз.	▶ Ұзындығы ұйғарынды және/немесе қимасы жеткілікті ұзартқыш кабельді қолданыңыз.
	Негізгі сөндіргіш толық басылмаған.	▶ Сөндіргішті тірелгенше басыңыз.
	Қамтудың кернеуі тым төмен.	▶ Аспапты басқа қамту көзіне қосыңыз.
Бұрғы айналмайды.	Функцияны таңдау қосқышы тірелмеген немесе «Кескішпен еңдеу» T немесе «Кескішті орналастыру» -9 күйінде.	▶ Электр қозғалтқыш жұмыс істеп тұрмаған кезде функция ауыстырып-қосқышын «Соққымен бұрғылау» IT күйіне орнатыңыз.
Бұрғы бекіткіштен босатылмайды.	Құрал бекіткіші толық босатылмаған.	▶ Бекіткішті артқа тірелгенше шығарыңыз және жұмыс аспабын шығарыңыз.
	Hilti қызмет көрсету орталығына барыңыз.	▶ Бүйірлік тұтқышты босатыңыз және дұрыс орнатыңыз, тартылмалы таспа мен бүйірлік тұтқыш ойыққа бекітілуі керек.
Қызметтік индикатор қызыл түспен жыпылықтайды.	Аспаптағы зақымдар.	▶ Өнімді Hilti қызмет көрсету орталығында жөндеңіз.
Қызметтік индикатор қызыл түспен жанып тұр.	Көмір қылшақтары тозған.	▶ Тексеру үшін маман-электрикке барыңыз және, қажет болса, ауыстырыңыз.

9 Көдеге жарату

Hilti аспаптары қайта еңдеу үшін жарамды көптеген материалдардың санын қамтиды. Көдеге жарату алдында материалдарды мұқият сұрыптау керек. Көптеген елдерде Hilti компаниясы ескі аспабыңызды қайта еңдеу үшін қайта қабылдайды. Hilti қызмет көрсету орталығынан немесе дилеріңізден сұраңыз.



- ▶ Электр құралдарды, электрондық құрылғылар мен аккумуляторларды тұрмыстық қоқыспен бірге тастамаңыз!

10 RoHS (зиянды заттектердің пайдаланылуын шектеу директивасы)

Төмендегі сілтемелер бойынша зиянды заттектердің кестесі берілген: qr.hilti.com/r1021413
RoHS кестесінің сілтемесі осы құжаттаманың соңында QR коды ретінде берілген.



11 Өндіруші кепілдігі

- ▶ Кепілдік шарттары туралы сұрақтарыңыз болса, жергілікті Hilti серіктесіне жолығыңыз.

オリジナル取扱説明書

1 取扱説明書について

1.1 本取扱説明書について

- ご使用前にこの取扱説明書をすべてお読みください。このことは、安全な作業と問題のない取扱いのための前提条件となります。
- 本取扱説明書および製品に記載されている安全上の注意と警告表示に注意してください。
- 取扱説明書は常に製品とともに保管し、他の人が使用する場合には、製品と取扱説明書を一緒にお渡しください。

1.2 記号の説明

1.2.1 警告表示

警告表示は製品の取扱いにおける危険について警告するものです。以下の注意喚起語が使用されています：



危険

危険！

- ▶ この表記は、重傷あるいは死亡事故につながる危険性がある場合に注意を促すために使われます。



警告

警告！

- ▶ この表記は、重傷あるいは死亡事故につながる可能性がある場合に注意を促すために使われます。



注意

注意！

- ▶ この表記は、身体の負傷あるいは物財の損傷が発生する可能性がある場合に使われます。

1.2.2 取扱説明書の記号

この取扱説明書では、以下の記号が使用されています：



取扱説明書に注意してください



本製品を効率良く取り扱うための注意事項や役に立つ情報



リサイクル可能な部品の取扱い



電動工具およびバッテリーを一般ゴミとして廃棄してはなりません

1.2.3 図中の記号

図中では以下の記号が使用されています：



この数字は本取扱説明書冒頭にある該当図を示しています。



図中の付番は、重要な作業手順あるいは作業手順にとって重要なパーツであることを示しています。本文中ではこれらの作業手順またはパーツは、(3) のように当該の番号でハイライト表示されています。



概要図には項目番号が付されていて、製品概要セクションの凡例の番号に対応しています。



この記号は、製品の取扱いの際に特に注意が必要なことを示しています。



1.3 製品により異なる記号

1.3.1 製品に表示されている記号

製品には以下の記号が使用されています：

	回転 + 打撃 (打撃穿孔)
	ハツリ作業
	チゼル角度調整
	電気絶縁保護クラス II (二重絶縁)
n_0	無負荷回転数
/min	毎分回転数
RPM	毎分回転数
\varnothing	直径
	交流
	本製品は、iOS および Android プラットフォームと互換性のある無線データ転送をサポートしています。

1.4 製品情報

製品はプロ仕様で製作されており、その使用、保守、修理を行うのは、認定を受けトレーニングされた人のみに限ります。これらの人は、遭遇し得る危険に関する情報を入手していなければなりません。製品およびアクセサリーの使用法を知らない者による誤使用、あるいは規定外の使用は危険です。機種名および製造番号は銘板に表示されています。

▶ 製造番号を以下の表に書き写しておいてください。ヒルティ代理店やサービスセンターへお問い合わせの際には、製品データが必要になります。

製品データ

コンビハンマードリル	TE 70-AVR
製品世代	03
製造番号	

1.5 適合宣言

当社は、単独の責任において本書で説明している製品が有効な基準と標準規格に適合していることを宣言します。適合宣言書の複写は本書の末尾にあります。

技術資料は本書の後続の頁に記載されています：

Hilti Entwicklungsgesellschaft mbH | Zulassung Geräte | Hiltistraße 6 | 86916 Kaufering, DE

2 安全

2.1 電動工具の一般安全注意事項

⚠ 警告事項 本電動工具に付属のすべての安全上の注意、指示事項、図、および製品仕様をお読みください。以下の指示を守らないと、感電、火災および / または重傷事故の危険があります。

安全上の注意および指示事項が書かれた説明書はすべて大切に保管してください。

安全上の注意で使用する用語「電動工具」とは、お手持ちの電動ツール(電源コード使用) またはバッテリーツール(コードレス)を指します。

作業環境に関する安全

- ▶ 作業場はきれいに保ち、十分に明るくしてください。ちらかった暗い場所での作業は事故の原因となります。
- ▶ 爆発の危険性のある環境(可燃性液体、ガスおよび粉じんのある場所) では電動工具を使用しないでください。電動工具から火花が飛散し、粉じんや揮発性ガスに引火する恐れがあります。



- ▶ 電動工具の使用時、子供や無関係者を作業場へ近づけないでください。作業中に気がそらされると、本体のコントロールを失ってしまう恐れがあります。

電気に関する安全注意事項

- ▶ 電動工具の接続プラグは電源コンセントにきちんと適合しなければなりません。プラグは絶対に変更しないでください。保護接地した電動工具と一緒にアダプタープラグを使用しないでください。オリジナルのプラグと適切なコンセントを使用することにより、感電の危険を小さくすることができます。
- ▶ バイブ、ラジエーター、電子レンジ、冷蔵庫などのアースされた面に体の一部が触れないようにしてください。体が触れると感電の危険が大きくなります。
- ▶ 電動工具を雨や湿気から保護してください。電動工具に水が浸入すると、感電の危険が大きくなります。
- ▶ 電動工具を持ち運んだり、吊り下げたり、コンセントからプラグを抜いたりするときは、必ず本体を持ち、電源コードを持ったり引っ張ったりしないでください。電源コードを火気、オイル、鋭利な刃物、可動部等に触れる場所に置かないでください。電源コードが損傷したり絡まったりしていると、感電の危険が大きくなります。
- ▶ 屋外工事の場合には、必ず屋外専用の延長コードを使用してください。屋外専用の延長コードを使用すると、感電の危険が小さくなります。
- ▶ 湿った場所で電動工具を作動させる必要がある場合は、漏電遮断器を使用してください。漏電遮断器を使用すると、感電の危険が小さくなります。

作業に関する安全

- ▶ 電動工具を使用の際は、油断せずに十分注意し、常識をもった作業をおこなってください。疲れている場合、薬物、医薬品服用およびアルコール飲用による影響下にある場合には電動工具を使用しないでください。電動工具使用中の一瞬の不注意が重傷の原因となることがあります。
- ▶ 個人用保護具および保護メガネを常に着用してください。負傷の危険を低減するために、電動工具の使用状況に応じた粉じんマスク、耐滑性の安全靴、ヘルメット、耳栓などの個人用保護具を着用してください。
- ▶ 電動工具の意図しない始動を防止して下さい。電動工具を電源および / またはバッテリーに接続する前や本体を持ち上げたり運んだりする前に、本体がオフになっていることを必ず確認してください。オン / オフスイッチが入っている状態で電動工具のスイッチに指を掛けたまま運んだり、電源に接続したりすると、事故の原因となる恐れがあります。
- ▶ 電動工具のスイッチを入れる前に、必ず調節キーやレンチを取り外してください。調節キーやレンチが本体の回転部に装着されたままでは、けがの原因となる恐れがあります。
- ▶ 作業中是不安定な姿勢をとらないでください。足元を安定させ、常にバランスを保つようにしてください。これにより、万一電動工具が異常状況に陥った場合にも、適切な対応が可能となります。
- ▶ 作業に適した作業着を着用してください。だぶだぶの衣服や装身具を着用しないでください。髪、衣服、手袋を本体の可動部に近づけないでください。だぶだぶの衣服、装身具、長い髪が可動部に巻き込まれる恐れがあります。
- ▶ 吸じんシステムの接続が可能な場合には、これらのシステムが適切に接続、使用されていることを確認してください。吸じんシステムを利用することにより、粉じん公害を防げます。
- ▶ 電動工具の取扱いに熟練している場合にも、正しい安全対策を遵守し、電動工具に関する安全規則を無視しないでください。不注意な取扱いは、ほんの一瞬で重傷事故を招くことがあります。

電動工具の使用および取扱い

- ▶ 無理のある使用を避けてください。作業用途に適した電動工具を使用してください。適切な電動工具の使用により、効率よく、スムーズかつ安全な作業が行えます。
- ▶ スイッチが故障している場合には、電動工具を使用しないでください。スイッチで始動および停止操作のできない電動工具は危険ですので、修理が必要です。
- ▶ 本体の設定やアクセサリの交換を行う前や本体を保管する前には電源プラグをコンセントから抜き、および / または脱着式のバッテリーを取り外してください。この安全処置により、電動工具の意図しない始動を防止することができます。
- ▶ 電動工具をご使用にならない場合には、子供の手の届かない場所に保管してください。電動工具に関する知識のない方、本説明書をお読みでない方による本体のご使用は避けてください。未経験者による電動工具の使用は危険です。
- ▶ 電動工具とアクセサリは慎重に手入れしてください。可動部分が引っ掛かりなく正常に作動しているか、電動工具の運転に影響を及ぼす各部分が破損・損傷していないかを確認してください。電動工具をご使用になる前に、損傷部分の修理を依頼してください。事故の多くは保守管理の不十分な電動工具の使用が原因となっています。
- ▶ 先端工具は鋭利で汚れのない状態を保ってください。お手入れのゆきとどいた先端工具を使用すると、作業が簡単かつ、スムーズになります。
- ▶ 電動工具、アクセサリ、先端工具などは、それらの説明書に記載されている指示に従って使用してください。その際は、作業環境および用途についてもご注意ください。指定された用途以外に電動工具を使用すると危険な状況をまねく恐れがあります。



- ▶ グリップとグリップ面は乾燥した清潔な状態に保ち、オイルやグリスの付着がないようにしてください。グリップやグリップ面が滑りやすい状態になっていると、予期していない状況が発生した際に電動工具を安全に使用 / 制御できません。

サービス

- ▶ 電動工具の修理は必ず認定サービスセンターにお申し付けください。また、必ず純正部品を使用してください。これにより電動工具の安全性が確実に維持されます。

2.2 ドリルに関する安全上の注意

すべての作業に関する安全上の注意

- ▶ 打撃 + 回転の際は耳栓を着用してください。騒音により、聴覚に悪影響が出る恐れがあります。
- ▶ 補助グリップを使用してください。コントロールを失うと負傷の危険があります。
- ▶ 隠れた電線や装置自体の電源コードに先端工具あるいはねじが接触する可能性のある作業を行う場合は、電動工具を絶縁されたグリップ面で保持するようにしてください。通電しているケーブルと接触すると、本体の金属部分にも電圧がかかり、感電の危険があります。

長いドリルビットを使用する際の安全上の注意

- ▶ 決してドリルビットの最大許容回転数を超過する回転数で作業しないでください。回転数が高くてドリルビットが作業材料と接触せず自由に回転できる状態にあると、ドリルビットは簡単に曲がってしまうことがあり、これが負傷の原因となることがあります。
- ▶ 穿孔作業は、常にドリルビットが作業材料と接触している状態で低い回転数から始めるようにしてください。回転数が高くてドリルビットが作業材料と接触せず自由に回転できる状態にあると、ドリルビットは簡単に曲がってしまうことがあり、これが負傷の原因となることがあります。
- ▶ 過度な力を加えず、常にドリルビットの縦方向にのみ力が作用するようにしてください。ドリルビットは曲がって折れてしまうこと、あるいはコントロールを失って負傷の原因となることがあります。

攪拌バスケットおよび攪拌ブランジャーを使用する際の安全上の注意

- ▶ 電動工具のオン / オフは、必ず攪拌バスケットが攪拌する物質内にある状態で行ってください。そうしないと、コントロールを失って負傷する危険があります。

2.3 ロータリーハンマードリルに関するその他の安全上の注意

作業者に関する安全

- ▶ 本製品とアクセサリーは、必ず技術的に問題のない状態で使用してください。
- ▶ 本製品あるいはアクセサリーには、決して加工や改造を加えないでください。
- ▶ 製品と一緒に納品された補助ハンドルを使用してください。コントロールを失うとけがをする恐れがあります。
- ▶ 剥がし作業の場合には、作業側と反対の領域を保護してください。剥がれた部分が脱落、落下して他の人を負傷させる危険があります。
- ▶ 本製品は、常に両手でグリップを握ってしっかりと保持してください。グリップは乾燥した清潔な状態を保ってください。
- ▶ 隠れた電線に先端工具が接触する可能性のある作業を行う場合は、必ず本製品を絶縁されたグリップ面で保持するようにしてください。通電しているケーブルと接触すると、本体の金属部分にも電圧がかかり、感電の危険があります。
- ▶ 回転部品に触れないでください - 負傷の危険！
- ▶ 本製品の使用時には、アイシールド、保護ヘルメット、耳栓、および適切な防じんマスクを着用してください。
- ▶ 先端工具の交換時には保護手袋を着用してください。先端工具に触れると、切創事故や火傷の原因となることがあります。
- ▶ アイシールドを着用してください。破片が身体の一部、眼などを傷つけることもあります。
- ▶ 研磨、紙やすり研磨、切断および穿孔の際に発生する粉じんは、化学物質を含んでいる場合があります。これには、鉛、あるいは鉛ベースの塗料、レンガ、コンクリートおよびその他の壁用資材、自然石およびその他の珪酸塩含有製品、樫、櫟などの特定の木材、および化学処理の施された木材、アスベストあるいはアスベストが含まれる母材、などが考えられます。作業対象の資材の危険等級により、作業者および周囲の人員の曝露を確認してください。曝露を安全なレベルに維持するために、粉じん吸引システムの使用、あるいは適切な防じんマスクの着用などの必要な処置を取ってください。曝露の低減のための一般的な処置としては、以下のようなものがあります：
 - ▶ 十分に換気された領域での作業
 - ▶ 粉じんと長時間の接触の回避
 - ▶ 粉じんを顔や体から遠ざける
 - ▶ 保護服を着用し、水と石鹸で曝露領域を洗浄する



- ▶ 頻繁に休憩を取って、指を動かして血行を良くするように心がけてください。長時間作業の際には、強い振動により指、手あるいは手首の関節の血管あるいは神経系に障害が発生する可能性があります。

電気に関する安全注意事項

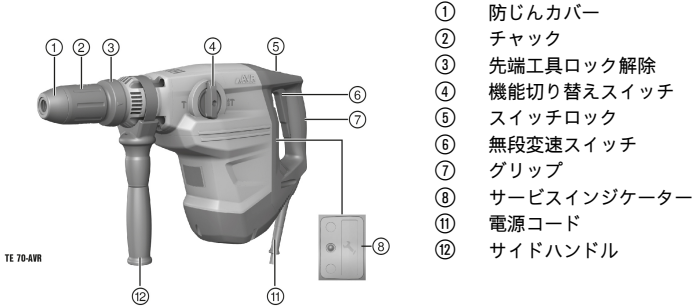
- ▶ 作業を開始する前に、作業領域に埋設された電線、ガス管や水道管がないかを調査してください。電線、ガス管あるいは水道管を損傷すると、本製品外側の金属部分での感電事故、あるいは爆発が発生する可能性があります。

電動工具の慎重な取扱いおよび使用

- ▶ 先端工具がブロックしたら直ちに本製品をオフにします。本製品が横にそれることがあります。
- ▶ 本製品は停止するまで置かないでください。

3 製品の説明

3.1 製品概要



- ① 防じんカバー
- ② チャック
- ③ 先端工具ロック解除
- ④ 機能切り替えスイッチ
- ⑤ スイッチロック
- ⑥ 無段変速スイッチ
- ⑦ グリップ
- ⑧ サービスインジケータ
- ⑪ 電源コード
- ⑫ サイドハンドル

3.2 正しい使用

本書で説明している製品は、ニューマチック構造の打撃機構を備えた電動式コンビハンマードリルです。本製品は、コンクリート、石材、木材および金属への穿孔作業用の工具です。さらに、本製品は石材への軽度から中程度のハツリ作業、およびコンクリートへの再加工作业に使用できます。

- ▶ 必ず銘板に表示されている電圧、周波数で使用してください。

3.3 オプションの AVR (アクティブバイブレーションリダクション)

本製品にはオプションで、振動を大幅に低減させるActive Vibration Reduction (AVR) システムを装備することができます。

3.4 サービスインジケータ

本製品はサービスインジケータを装備しています。

3.4.1 サービスインジケータの状態

状態	意味
サービスインジケータが赤色で点灯する。	作動時間がサービス期限に達しています。
サービスインジケータが赤色で点滅する。	コンビハンマードリルの修理はHilti サービスセンタに依頼してください。

3.5 本体標準セット構成

コンビハンマードリル、サイドハンドル、取扱説明書。

その他の本製品用に許可されたシステム製品については、弊社営業担当またはHilti Storeにお問い合わせいただくか、あるいはwww.hilti.group | USA: www.hilti.com でご確認ください。





定格電圧、定格電流、周波数および / または定格電力については、国別の銘板でご確認ください。

発電機または変圧器を使用しての作業の場合は、それらは本体の銘板に記載されている定格電力より2倍以上大きな出力がなければなりません。変圧器または発電機の作動電圧は、常に本体の定格電圧の+5%...-15%の範囲内なければなりません。

	TE 70-AVR
重量(EPTA プロシージャ 01 に準拠)	8.3 kg
1 回当たりの打撃力(EPTA プロシージャ 05 に準拠)	11.5 J
Ø ハンマードリルビット	12 mm ... 55 mm
Ø 木工用ドリルビット	10 mm ... 32 mm
Ø 鉄工用ドリルビット	0 mm ... 20 mm

4.1 騒音および振動値について (EN 62841 準拠)

本説明書に記載されているサウンドプレッシャー値および振動値は、規格に準拠した測定方法に基づいて測定したものです。電動工具を比較するのにご使用いただけます。曝露値の暫定的な予測にも適しています。記載されているデータは、電動工具の主要な使用方法に対する値です。電動工具を他の用途で使用したり、異なる先端工具を取り付けて使用したり、手入れや保守が十分でないまま使用した場合には、データが異なることがあります。このような相違により、作業時間全体で曝露値が著しく高くなる可能性があります。曝露値を正確に予測するためには、電動工具のスイッチをオフにしている時間や、電動工具が作動していても実際には使用していない時間も考慮しなければなりません。このような相違により、作業時間全体で曝露値が著しく低くなる可能性があります。

作業者を騒音および / または振動による作用から保護するために、他にも安全対策を立ててください(例: 電動工具および先端工具の手入れや保守、手を冷やさないようにする、作業手順の編成)。

騒音排出値

	TE 70-AVR
サウンドパワーレベル (L_{WA})	113 dB(A)
サウンドパワーレベルの不確実性 (K_{WA})	3 dB(A)
排出サウンドプレッシャーレベル (L_{pA})	99 dB(A)
サウンドプレッシャーレベルの不確実性 (K_{pA})	3 dB(A)

合計振動値

	TE 70-AVR
コンクリートへの打撃穿孔 ($a_{h, HD}$)	10.8 m/s ²
ハツリ作業 ($a_{h, Chq}$)	9 m/s ²
不確実性 (K)	1.5 m/s ²

5 ご使用方法

5.1 サイドハンドルを取り付ける

注意

負傷の危険 製品のコントロールの喪失。

▶ サイドハンドルが正しく取り付けられ、しっかりと固定されていることを確認してください。クランピングバンドが本製品の所定の溝にはまっていることを確認してください。

▶ サイドハンドルを取り付けます。



5.2 先端工具を装着 / 取り外す

適切でないグリスを使用すると、本体の損傷の原因となることがあります。必ずHiltiの純正グリスを使用してください。
先端工具の使用に先立ち、その都度損傷および不均等な摩耗のないことを点検し、必要に応じて先端工具を交換してください。

- ▶ 先端工具を装着 / 取り外します。

5.3 回転のみ

専用のコネクションエンドを使用すると、回転のみの作動が可能になります。そのような先端工具は、Hilti 先端工具プログラムよりお求めいただけます。
例えばシャンク形状が円になっている木工用または鉄工用ドリルビットをクイックリリースチャックに挿入し、回転のみの作動を行うことができます。

- ▶ 機能切り替えスイッチを「回転 + 打撃」 の位置にします。

5.4 回転 + 打撃(打撃穿孔)

- ▶ 機能切り替えスイッチを「回転 + 打撃」 の位置にします。

5.5 チゼル角度調整

注意

負傷の危険！ ハツリ方向のコントロールの喪失。

- ▶ 「チゼル角度調整」位置で作業をしないでください。機能切り替えスイッチを「ハツリ作業」の位置にし、その位置にロックさせます。

チゼルは 24 の異なる位置に(15° ステップで) 調整することができます。これによってコールドチゼルでもスケーリングチゼルでも、最適の角度で作業できます。

- ▶ 機能切り替えスイッチを「チゼル角度調整」 の位置にします。

5.6 ハツリ作業

- ▶ 機能切り替えスイッチを「ハツリ作業」 の位置にします。

5.7 スイッチロック

ハツリモードで作業する場合、コントロールスイッチを作動状態でロックできます。

- ▶ スイッチロックを操作します。

6 手入れと保守

警告

感電による危険！ 電源プラグをコンセントに接続した状態で手入れや保守を行うと、重傷事故および火傷の危険があります。

- ▶ 手入れや保守作業の前に、必ず電源プラグをコンセントから抜いてください。

手入れ

- 強固に付着した汚れは慎重に除去してください。
- 通気溝を乾いたブラシで入念に清掃してください。
- ハウジングは必ず軽く湿らせた布で清掃してください。シリコンを含んだ清掃用具はプラスチック部品をいためる可能性があるので使用しないでください。



保守

警告

感電による危険！ 電気部品の誤った修理は、重傷事故および火傷の原因となることがあります。

- ▶ 電気部品の修理を行うことができるのは、訓練された修理スペシャリストだけです。
- 目視確認可能なすべての部品について損傷の有無を、操作エレメントについては問題なく機能することを定期的に点検してください。
- 損傷および/または機能に問題のある場合は、本製品を使用しないでください。直ちにHilti サービスセンターに修理を依頼してください。
- 手入れおよび保守作業の後は、すべての安全機構を取り付けて機能を点検してください。

安全な作動のために、必ず純正のスベアパーツと消耗品を使用してください。本製品向けに弊社が承認したスベアパーツ、消耗品およびアクセサリは、弊社営業担当またはHilti Store お問い合わせいただくか、あるいはwww.hilti.groupでご確認ください。

7 搬送および保管

- 電動工具は先端工具を装着した状態で搬送しないでください。
- 電動工具は常に電源プラグを外して保管してください。
- 本体は、乾燥している場所に、子供や権限のない人が手を触れることのないようにして保管してください。
- 電動工具を長距離にわたって搬送したり長期にわたって保管した後は、使用前に損傷がないかチェックしてください。

8 故障時のヒント

この表に記載されていない、あるいはご自身で解消することのできない故障が発生した場合には、弊社営業担当またはHilti サービスセンターにご連絡ください。

8.1 故障かな？ と思った時

故障	考えられる原因	解決策
コンビハンマードリルが始動しない。	主電源が供給されていない。	▶ 他の電動工具を接続して機能を点検する。
	発電機がスリープモード。	▶ 発電機に別の電気負荷(ランプ等)をかける。続いて本体をオフにし、再びオンにする。
	電源遮断後、電子式始動インターロックがアクティブになっている。	▶ 本体をオフにして、再びオンにする。
	カーボンブラシの摩耗。	▶ 修理スペシャリストに点検を依頼し、必要な場合には交換する。
打撃がない。	本体温度が低すぎる。	▶ コンビハンマードリルを母材に接触させて、アイドリング回転させる。打撃機構が始動するまでこれを繰り返す。
コンビハンマードリルがフルパワーにならない。	延長コードが長すぎる、または導体断面積が小さすぎる。	▶ 許容された長さで十分な導体断面積を持つ延長コードを使用する。
	コントロールスイッチの握り込みが不十分。	▶ コントロールスイッチを一杯に握り込む。
	供給電源の電圧が低すぎる。	▶ 本体を別の電源に接続する。
ドリルビットが回転しない。	機能切り替えスイッチがロックされていない、または「ハツリ作業」 が「チゼル角度調整」 の位置になっている。	▶ 停止時に機能切り替えスイッチを「回転+打撃」 の位置にする。
ドリルビットのロックが外れない。	チャックが完全に引き戻されていない。	▶ チャックロックスリーブをストップ位置まで引き戻し、先端工具を引き抜く。



故障	考えられる原因	解決策
ドリルビットのロックが外れない。	サイドハンドルが正しく取り付けられていない。	▶ サイドハンドルを緩めて、クランプバンドとサイドハンドルが奥でロックされるように正しい位置に取り付ける。
サービスインジケータが赤色で点滅する。	本体の損傷。	▶ Hilti サービスセンターに修理を依頼する。
サービスインジケータが赤色で点灯する。	カーボンブラシの摩耗。	▶ 修理スペシャリストに点検を依頼し、必要な場合には交換する。

9 廃棄

Hilti 製品の大部分の部品はリサイクル可能です。リサイクル前にそれぞれの部品は分別して回収されなければなりません。多くの国で Hilti は、古い電動工具をリサイクルのために回収しています。詳細については弊社営業担当または Hilti 代理店・販売店にお尋ねください。



- ▶ 電動工具、電子機器およびバッテリーを一般ゴミとして廃棄してはなりません！

10 RoHS (有害物質使用制限に関するガイドライン)

下記のリンクより、有害物質を記載した表を確認できます：qr.hilti.com/r1021413
本書の最終ページに RoHS 表にリンクした QR コードがあります。

11 メーカー保証

- ▶ 保証条件に関するご質問は、最寄りの Hilti 代理店・販売店までお問い合わせください。

오리지널 사용 설명서

1 사용 설명서 관련 정보

1.1 본 사용 설명서에 관하여

- 처음 이 제품을 사용하기 전에 본 사용 설명서를 읽으십시오. 안전하게 작업하고 문제 없이 취급하기 위한 전제가 됩니다.
- 본 사용 설명서 및 제품에 나와 있는 안전상의 주의사항 및 경고 지침에 유의하십시오.
- 항상 제품에 있는 사용 설명서를 잘 보관하고 제품은 반드시 본 사용 설명서와 함께 다른 사람에게 전달하십시오.

1.2 기호 설명

1.2.1 경고사항

본 제품을 다루면서 발생할 수 있는 위험에 대한 경고사항. 다음과 같은 시그널 워드가 사용됩니다.



위험

위험!

- ▶ 이 기호는 직접적인 위험을 표시합니다. 만약 지키지 않으면 심각한 부상을 당하거나 사망할 수도 있습니다.



경고

경고!

- ▶ 이 기호는 잠재적인 위험을 표시합니다. 만약 지키지 않으면 심각한 부상을 당하거나 사망할 수도 있습니다.



⚠ 주의

주의!

▶ 이 기호는 잠재적인 위험 상황을 표시합니다. 만약 지키지 않으면 부상 또는 물적 손실을 입을 수 있습니다.

1.2.2 사용 설명서에 사용된 기호

본 사용 설명서에서 사용되는 기호는 다음과 같습니다.

	사용 설명서에 유의하십시오
	적용 지침 및 기타 유용한 사용정보
	재사용이 가능한 자재 취급방법
	전기 기기 및 배터리를 일반 가정의 쓰레기처럼 폐기해서는 안 됨

1.2.3 그림에 사용된 기호

다음과 같은 기호가 그림에 사용됩니다.

2	이 숫자는 본 사용 설명서 첫 부분에 있는 해당 그림을 나타냅니다.
3	그림에 매겨진 번호는 중요한 작업 순서 또는 작업 순서에 중요한 부분을 나타냅니다. 텍스트에 해당 작업 순서 또는 해당 번호가 매겨진 부품이 강조 표시됩니다(예: (3)).
11	항목 번호는 개요 그림에서 사용되며 제품 개요 단락에 나와 있는 기호 설명 번호를 나타냅니다.
	이 표시는 제품을 다룰 때, 특별히 주의할 사항을 나타냅니다.

1.3 제품 관련 기호

1.3.1 제품에 사용된 기호

다음과 같은 제품 기호가 사용됩니다.

	타격하여 드릴링(함마드릴링)
	치질링
	치질 각도 조정
	보호 등급 III(이중 절연)
n_0	무부하 회전속도
/min	분당 회전수
RPM	분당 회전수
\emptyset	직경
	교류
	본 제품은 무선 데이터 전송을 지원하며, iOS 및 Android 플랫폼과 호환 가능합니다.

1.4 제품 정보

HILTI 제품은 전문가용으로 설계되어 있으며, 해당 교육을 이수한 공인된 작업자를 통해서만 조작, 유지 보수 및 수리 작업을 진행할 수 있습니다. 이 기술자는 발생할 수 있는 위험에 대해 특별 교육을 받은 상태여야 합니다. 교육을 받지 않은 사람이 제품을 부적절하게 취급하거나 규정에 맞지 않게 사용할 경우에는 기기와 그 보조기구에 의해 부상을 당할 위험이 있습니다.

형식 명칭 및 일련 번호는 형식 라벨에 제시되어 있습니다.



- ▶ 일련 번호를 다음의 표에 옮기십시오. 대리점 또는 서비스 센터에 문의할 경우 제품 제원이 필요합니다.
제품 제원

콤비 해머	TE 70-AVR
세대	03
일련 번호	

1.5 적합성 선언

퍼사는 전적으로 책임을 지고 여기에 기술된 제품이 통용되는 기준과 규격에 일치함을 공표합니다. 적합성 증명서 사본은 본 문서 끝 부분에서 확인할 수 있습니다.

기술 문서는 이곳에 기술되어 있습니다.

Hilti Entwicklungsgesellschaft mbH | Zulassung Geräte | Hiltistraße 6 | 86916 Kaufering, DE

2 안전

2.1 전동 공구에 대한 일반적인 안전상의 주의사항

⚠ 경고 해당 전동 공구와 함께 동봉된 모든 안전상의 주의 사항, 지침, 그림 및 기술자료를 숙지하십시오. 다음과 같은 지침 내용을 준수하지 않으면 전기 충격, 화재가 발생하거나 그리고/또는 중상을 입을 수 있습니다. 앞으로 모든 안전상의 주의사항과 지침을 보관하십시오.

안전상의 주의사항에서 사용되는 "전동 공구"라는 개념은 전원에 연결하여 사용하는 전동 공구(전원 케이블 있음) 또는 배터리를 사용하는 전동 공구(전원 케이블 없음)를 의미합니다.

작업장 안전수칙

- ▶ 작업장을 항상 깨끗이 하고 조명이 잘 들도록 하십시오. 어수선한 작업환경 또는 어두운 작업장은 사고를 초래할 수 있습니다.
- ▶ 인화성 액체, 가스 또는 먼지가 있어 폭발 위험이 있는 환경에서는 전동 공구를 사용하지 마십시오. 전동 공구는 먼지나 증기를 점화시킬 수 있는 스파크를 일으킵니다.
- ▶ 전동 공구를 사용할 때, 어린이들이나 다른 사람들이 작업장에 접근하지 못하도록 하십시오. 다른 사람의 방해로 인해 기기를 통제하기 어렵습니다.

전기에 관한 안전수칙

- ▶ 전동 공구의 전원 플러그가 소켓에 잘 끼워져야 합니다. 플러그를 절대 변형시켜서는 안됩니다. 접지된 전동 공구와 함께 아답터 플러그를 사용하지 마십시오. 변형되지 않은 플러그와 적합한 소켓을 사용하면 감전의 위험을 줄일 수 있습니다.
- ▶ 파이프, 히터, 전기레인지, 냉장고와 같은 접지 표면에 신체 접촉을 피하십시오. 신체에 닿을 경우 감전될 위험이 높습니다.
- ▶ 전동 공구가 비에 맞지 않도록 하고 습한 장소에 두지 마십시오. 전동 공구에 물이 들어가면 감전될 위험이 높습니다.
- ▶ 전원 케이블만 잡고 전동 공구를 운반하거나 걸어 놓아서는 안되며, 소켓에서 전원 플러그를 빼낼 때 케이블만 잡은 채로 빼내지 마십시오. 전원 케이블이 열, 오일, 날카로운 모서리 또는 부품의 가동 부위에 접촉하지 않도록 주의하십시오. 손상되거나 서로 꼬인 전원 케이블은 감전 위험을 높입니다.
- ▶ 실외에서 전동 공구를 이용하여 작업할 때, 실외용으로 승인된 연장 케이블만 사용하십시오. 실외용 연장 케이블을 사용하면 감전의 위험을 줄여줍니다.
- ▶ 전동 공구를 습한 환경에서 사용하는 것을 피할 수 없을 경우, 누전 차단기를 사용하십시오. 누전 차단기를 사용하면 감전 위험을 줄일 수 있습니다.

사용자 안전수칙

- ▶ 신중하게 작업하십시오. 작업에 정신을 집중하고 전동 공구를 사용할 때 경솔하게 행동하지 마십시오. 피곤하거나 항정신성 약물, 술 또는 약을 복용시에는 전동 공구를 사용하지 마십시오. 전동 공구 사용 시 이에 유의하지 않을 경우 심각한 부상을 초래할 수 있습니다.
- ▶ 안전 장비를 갖추고 보안경을 착용하십시오. 전동 공구의 종류와 사용에 따라, 먼지 보호 마스크, 미끄럼 방지용 안전 신발, 안전모 또는 귀마개 등과 같은 안전한 보호장비를 착용하면 부상의 위험을 줄일 수 있습니다.
- ▶ 실수로 기기가 작동하지 않도록 주의하십시오. 전동 공구를 전원 그리고/또는 배터리에 연결하기 전, 보관 또는 운반 전에 전동 공구가 스위치 OFF 상태인지 확인하십시오. 전동 공구 운반 시 스위치에 손가락을 대거나 스위치가 켜진 상태에서 전원을 연결하면 사고를 유발할 수 있습니다.
- ▶ 전동 공구의 스위치를 켜기 전, 조정공구 또는 렌치를 제거하십시오. 기기 회전부에 남아있는 공구나 렌치로 인해 부상을 입을 수 있습니다.
- ▶ 작업 시 비정상적인 자세는 피하십시오. 안전한 작업자세가 되도록 하고, 항상 균형을 유지하십시오. 이렇게 하여 여기치 않은 상황에서도 전동 공구를 잘 제어할 수 있습니다.



- ▶ 적합한 작업복을 착용하십시오. 헐렁한 복장이나 장식품을 착용하지 마십시오. 작동하는 기기 가동 부위에 머리, 옷 그리고 장갑이 가까이 닿지 않도록 주의하십시오. 헐렁한 복장, 장식품 혹은 긴 머리가 가동 부위에 말려 들어갈 수 있습니다.
- ▶ 먼지 제거장치나 수거장치를 설치할 수 있는 기기의 경우, 이 장치들이 연결되어 있는지 그리고 제대로 작동되는지를 확인하십시오. 먼지 포집장치 사용은 먼지로 인한 위험을 줄여줄 수 있습니다.
- ▶ 이 전동 공구를 여러번 사용해왔다고 해서 안전하다고 안심하지 말고 전동 공구에 해당되는 안전 규칙을 무시하지 마십시오. 부주의하게 행할 경우 아주 짧은 순간에 중상을 입을 수 있습니다.

전동 공구의 취급과 사용

- ▶ 기기에 과부하가 걸리지 않도록 하십시오. 귀하의 작업에 적합한 전동 공구를 사용하십시오. 적합한 전동 공구를 사용하면, 지정된 성능 한도 내에서 더 효율적으로 안전하게 작업할 수 있습니다.
- ▶ 스위치가 고장난 전동 공구는 사용하지 마십시오. 스위치가 작동되지 않는 전동 공구는 위험하므로, 반드시 수리를 해야 합니다.
- ▶ 기기 세팅을 실행, 액세서리를 교환 또는 기기를 보관하기 전에 컨넥터를 전원소켓에서 그리고/또는 탈착식 배터리를 기기에서 빼놓으십시오. 이러한 조치는 실수로 전동 공구가 작동하지 않도록 방지합니다.
- ▶ 사용하지 않는 전동 공구는 어린이들의 손이 닿지 않는 곳에 보관하십시오. 기기 사용에 익숙치 않거나 또는 이 안전수칙을 읽지 않은 사람이 기기를 사용해서는 안 됩니다. 비숙련자가 전동 공구를 사용하면 위험합니다.
- ▶ 전동 공구 및 액세서리를 유의해서 관리하십시오. 기기의 가동 부위가 완벽하게 작동하는지, 끼어 있지 않은지, 혹은 부품이 손상되거나 파손되어 있어 전동 공구의 기능을 저하시키지 않는지 점검하십시오. 기기 사용 전 손상된 부품을 수리하도록 하십시오. 제대로 관리되지 않은 전동 공구는 많은 사고를 유발합니다.
- ▶ 절단기기는 날카롭고 깨끗하게 관리하십시오. 날카로운 절단면이 있고 잘 관리된 절단기기는 끼이는 경우가 드물고 조절하기도 쉽습니다.
- ▶ 본 지침에 따라 전동 공구, 액세서리, 공구 비트 등을 사용하십시오. 이 때 작업 조건과 실시하려는 작업 내용을 고려하십시오. 원래 사용 분야가 아닌 다른 작업에 전동 공구를 사용할 경우, 위험한 상황을 초래할 수 있습니다.
- ▶ 손잡이 및 손잡이 표면은 건조하고 깨끗하게, 그리고 오일과 그리스가 묻어있지 않도록 해야 합니다. 미끄러운 손잡이 및 손잡이 표면은 예상치 못한 상황에서 전동 공구를 안전하게 조작하고 제어할 수 없습니다.

서비스

- ▶ 전동 공구는 반드시 자격을 갖춘 전문가에 의해 그리고 순정 대체부품만 이용하여 수리해야 합니다. 이렇게 하여 전동 공구의 안전성을 계속해서 유지할 수 있습니다.

2.2 드릴링 머신에 대한 안전상의 주의사항

모든 작업에 대한 안전상의 주의사항

- ▶ 합마드릴링 작업 시 귀마개를 착용하십시오. 소음은 청각 상실을 유발할 수 있습니다.
- ▶ 보조 손잡이를 사용하십시오. 기기를 제어하지 못하면 부상을 입을 수 있습니다.
- ▶ 전동 공구 또는 스크류가 숨겨진 전선이나 기기 자체의 연결 케이블과 접촉할 수 있는 작업을 할 경우, 항상 전동 공구의 절연된 손잡이 부분을 잡으십시오. 전류가 흐르는 전선과 접촉하면 전동 공구의 금속 부위를 통해 감전이 될 수도 있습니다.

긴 드릴 사용 시 안전상의 주의 사항

- ▶ 어떠한 경우에도 드릴에 허용되는 최고 속도보다 더 높은 속도로 작업하지 마십시오. 더 높은 속도로 작업하는 경우 드릴이 공작물에 닿지 않은 상태에서 회전하면 쉽게 구부러져 부상을 입을 수 있습니다.
- ▶ 드릴 작업은 항상 낮은 속도로 드릴이 공작물에 닿은 상태로 시작하십시오. 더 높은 속도로 작업하는 경우 드릴이 공작물에 닿지 않은 상태에서 회전하면 쉽게 구부러져 부상을 입을 수 있습니다.
- ▶ 과도한 힘을 가하지 말고 드릴이 작동하는 방향으로만 힘을 가하십시오. 드릴이 휘어져 파손되거나 통제력을 잃어 부상을 유발할 수 있습니다.

교반기 사용 시 안전상의 주의 사항

- ▶ 전동 공구는 교반기가 혼합된 소재에 머물러 있을 경우에만 전원을 켜거나 끄십시오. 그렇지 않으면 통제력을 잃고 부상을 입을 수 있습니다.

2.3 그외 로터리 합마 드릴에 관한 안전상의 주의사항

사용자 안전수칙

- ▶ 기술적 하자가 없는 상태에서만 제품 및 액세서리를 사용하십시오.
- ▶ 어떠한 경우에도 제품 또는 액세서리를 변경하거나 개조하지 마십시오.
- ▶ 제품과 함께 공급된 보조 손잡이를 사용하십시오. 기기를 제어하지 못하면 부상을 입을 수 있습니다.
- ▶ 천공 작업 시, 작업할 부분의 반대편이 안전하게 조치를 취하십시오. 발생하는 분쇄물이 빠져 나오거나 또는 떨어지면서 다른 사람이 부상을 입을 수 있습니다.



- ▶ 항상 양손으로 제품의 손잡이를 잡고 공구를 고정시키십시오. 손잡이는 건조하고 깨끗하게 유지하십시오.
- ▶ 숨겨진 전선에 공구 비트가 접촉할 수 있는 작업을 실행할 경우, 항상 제품의 절연된 손잡이 부분을 잡으십시오. 전류가 흐르는 전선과 접촉하면 전동 공구의 금속 부위를 통해 감전이 될 수도 있습니다.
- ▶ 회전하는 부품에 접촉하지 않도록 하십시오. - 부상 위험!
- ▶ 제품을 사용할 때에는 보안경, 안전모, 귀마개 및 적합한 보호 마스크를 착용하십시오.
- ▶ 공구 교체 시 보호장갑을 착용하십시오. 공구 비트에 닿으면 부상을 입거나 화상을 당할 수 있습니다.
- ▶ 보안경을 착용하십시오. 재료의 파편으로 인해 눈 등 신체에 부상을 입을 수 있습니다.
- ▶ 샌딩, 연마, 절단 및 드릴링 작업 시 발생하는 먼지에는 위험한 화학물질이 함유되어 있을 수 있습니다. 예를 들어 납 또는 납 계열의 페인트, 벽돌, 콘크리트 및 기타 조적 벽돌 제품, 자연석 및 기타 실리콘 함유 제품, 참나무, 너도밤나무 및 화학 처리된 목재 등과 같은 특정 목재, 석면 또는 석면이 함유된 자재 등이 있을 수 있습니다. 작업하는 자재의 위험 등급을 따라 조작자 및 주변에 있는 사람들의 노출 정도를 결정하십시오. 안전한 수준에서 노출이 이루어질 수 있도록 예를 들어 먼지 포집장치 사용 또는 적합한 보호 마스크 착용 등 필요한 조치를 취하십시오. 노출을 줄일 수 있는 일반적인 조치:
 - ▶ 환기가 잘 되는 곳에서 작업하기,
 - ▶ 장시간 먼지 접촉 피하기,
 - ▶ 얼굴 및 신체의 먼지를 다른 곳으로 털어내기,
 - ▶ 보호복장 착용 및 노출된 영역을 비누와 물로 세척하기.
- ▶ 손가락의 혈액순환이 잘 되도록 자주 휴식시간을 갖고, 휴식하는 동안 손가락 운동을 하십시오. 장시간 작업하면 강한 진동으로 인해 혈관 장애 또는 손가락, 손 및 손목의 신경 체계에 이상이 있을 수 있습니다.

전기에 관한 안전수칙

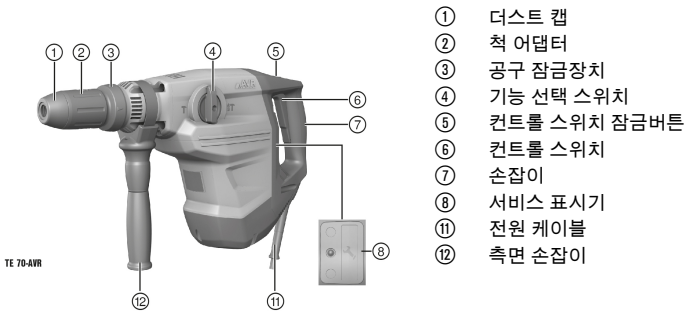
- ▶ 작업을 시작하기 전에, 작업장에서 가려져 있거나 덮혀 있는 전기 배선, 가스 파이프 그리고 하수도관이 있는지를 점검하십시오. 전기 배선, 가스 파이프 또는 하수도관을 손상시킨 경우, 제품 바깥쪽에 있는 금속 부품에서 감전 또는 폭발을 유발할 수 있습니다.

전동 공구의 올바른 사용방법과 취급방법

- ▶ 공구 비트가 블로킹된 경우 즉시 제품의 전원을 끄십시오. 제품이 옆으로 기울어질 수 있습니다.
- ▶ 제품을 내려놓기 전에 제품이 완전히 정지할 때까지 기다리십시오.

3 제품 설명

3.1 제품 개요



- ① 더스트 캡
- ② 척 어댑터
- ③ 공구 잠금장치
- ④ 기능 선택 스위치
- ⑤ 컨트롤 스위치 잠금버튼
- ⑥ 컨트롤 스위치
- ⑦ 손잡이
- ⑧ 서비스 표시기
- ⑪ 전원 케이블
- ⑫ 측면 손잡이

3.2 규정에 맞는 사용

기술된 제품은 공압식 타격기구를 갖춘 전기 구동식 콤파 해머입니다. 이 기기는 콘크리트, 조적벽돌, 목재 및 금속 드릴링 작업에 적합합니다. 더불어 석재에 가벼운 치질링 작업에서부터 중간 정도의 치질링 작업을 할 때, 그리고 콘크리트에서 마무리작업을 할 때에도 이 제품을 사용할 수 있습니다.

- ▶ 형식 라벨에 제시되어 있는 정격 전압과 정격 주파수만 기기를 작동시켜야 합니다.

3.3 AVR 옵션

이 제품에는 진동을 현저하게 줄여주는 Active Vibration Reduction (AVR) 시스템이 장착되어 있습니다.



3.4 서비스 표시기

본 제품은 램프 신호가 있는 서비스 표시기가 장착되어 있습니다.

3.4.1 서비스 표시기 상태

상태	의미
서비스 표시기가 적색으로 점등됨.	서비스 받을 시점에 도달하였음.
서비스 표시기가 적색으로 깜박임.	Hilti 서비스 센터에서 콤비 해머를 수리 받으십시오.

3.5 공급품목

콤비 해머, 측면 손잡이, 사용 설명서

해당 제품에 허용되는 기타 시스템 제품은 **Hilti Store** 또는 다음 사이트에서 확인할 수 있습니다.

www.hilti.group | 미국: www.hilti.com

4 기술자료

정격 전압, 정격 전류, 주파수 그리고/또는 정격 출력은 국가별 형식 라벨을 참조하십시오.

발전기 또는 변압기에서 작동할 경우, 발전기 및 변압기의 공급출력이 본 기기의 형식 라벨에 적힌 정격 출력보다 최소 두 배 이상 높아야 합니다. 변압기 및 발전기의 작동 전압은 항상 기기의 정격 전압의 +5% ~ -15% 사이에 위치해야 합니다.

	TE 70-AVR
EPTA-Procedure 01에 따른 무게	8.3kg
EPTA-Procedure 05에 따른 1회 타격 에너지	11.5J
Ø 함마 드릴	12mm ... 55mm
Ø 목재 드릴	10mm ... 32mm
Ø 금속 드릴	0mm ... 20mm

4.1 EN 62841에 따른 소음 정보 및 진동값

이 치함에 제시된 음압 및 진동수준은 표준화된 측정방법에 따라 측정된 것이며, 전동 공구를 서로 비교하기 위한 용도로 사용할 수 있습니다. 음압 및 진동 수준은 노출 정도를 사전에 예측하는 데에도 유용하게 사용할 수 있도록 설계되어 있습니다.

제시된 데이터는 전동 공구의 주된 용도를 나타냅니다. 그러나 전동 공구를 다른 용도로 사용하거나 다른 공구 비트를 사용할 경우 또는 유지보수를 충분히 하지 않은 상태에서는 데이터에 편차가 있을 수 있습니다. 이러한 경우 전 작업시간에 걸쳐 노출이 현저하게 증가할 수 있습니다.

노출을 정확하게 평가하기 위해서는 전동 공구 작동이 멈춰 있거나 또는 작동 중이지만 실제로는 사용하지 않는 시간도 고려해야 합니다. 이러한 경우 전 작업시간에 걸쳐 노출이 현저하게 감소할 수 있습니다.

사용자를 보호하기 위해 음파 그리고/또는 진동이 작용하기 전에 다음과 같은 추가적인 안전 조치를 취하십시오. 전동 공구와 공구 비트의 유지보수, 손을 따뜻하게 유지, 작업순서 정하기 등.

소음 배출값

	TE 70-AVR
소음 수준 (L_{WA})	113dB(A)
소음 수준 허용공차 (K_{WA})	3dB(A)
음압 방출 수준 (L_{pA})	99dB(A)
음압 수준 허용공차 (K_{pA})	3dB(A)

진동 총 값

	TE 70-AVR
콘크리트에 함마 드릴링 ($a_{h, HD}$)	10.8m/s ²
치질링 ($a_{h, Cheq}$)	9m/s ²
허용공차 (K)	1.5m/s ²



5 조작

5.1 측면 손잡이 장착

주의

부상 위험 제품에 대한 제어력 상실.

▶ 측면 손잡이가 정확하게 설치되고 올바르게 고정되어 있는지 확인하십시오. 제품의 지정된 홈에 조임 밴드가 있는지에 확인하십시오.

▶ 측면 손잡이를 장착하십시오.

5.2 공구비트 삽입/분리



적합하지 않은 그리스를 사용하면 기기가 손상될 수 있습니다. Hilti의 순정 그리스만 사용하십시오. 사용 전 항상 공구의 손상 여부 및 일정하지 않은 마모 상태를 점검하고, 필요한 경우 교환하십시오.

▶ 공구를 끼우거나/공구를 빼내십시오.

5.3 함마링 컷아웃



특수한 드릴 생크식 삽입공구를 이용하여, 함마링 컷아웃을 할 수 있습니다. 이러한 종류의 공구는 Hilti 삽입공구 프로그램에 포함되어 있습니다.

예를 들어 스트레이트 생크식 목재 드릴 비트 또는 금속 드릴 비트는 신속 교환식 척에 장착될 수 있고, 함마링 컷아웃에 사용될 수 있습니다.

▶ 기능 선택 스위치를 "함마드릴링" 위치에 두십시오.

5.4 타격하여 드릴링 (함마드릴링)

▶ 기능 선택 스위치를 "함마드릴링" 위치에 두십시오 .

5.5 치출 각도 조정

주의

부상위험! 치출링 방향 점검 생략

▶ "치출 각도 조정하기" 위치에서 작업하지 마십시오. 스위치가 맞물려 고정될 때까지 기능 선택 스위치를 "치출링" 위치에 두십시오.



치출 각도를 24가지의 (15°단계) 다양한 위치로 돌 수 있습니다. 이를 통해 평치출과 성형 치출을 항상 최적의 작업위치에서 작동시킬 수 있습니다.

▶ 기능 선택 스위치를 "치출 각도 조정" 위치에 두십시오.

5.6 치출링

▶ 기능 선택 스위치를 "치출링" 위치에 두십시오.

5.7 컨트롤 스위치 잠금버튼



치출링 작업에서 스위치가 ON된 상태에서 컨트롤 스위치를 잠글 수 있습니다.

▶ 컨트롤 스위치 잠금버튼을 누르십시오.



6 관리 및 유지보수

경고

감전 위험! 전원 플러그가 삽입된 상태에서 관리 및 수리 작업을 진행하면 중상 및 화상을 입을 수 있습니다.

▶ 관리 및 수리 작업을 진행하기 전에 항상 전원 플러그를 분리하십시오!

관리

- 공구에 부착된 오염물질을 조심스럽게 제거하십시오.
- 마른 솔로 환기 홀을 조심스럽게 청소하십시오.
- 하우징은 약간 물을 적신 천으로만 닦으십시오. 플라스틱 부품을 손상시킬 수 있으므로 절대로 실리콘이 함유된 보호제를 사용하지 마십시오.

유지보수

경고

감전으로 인한 위험! 전기 구성부품에서 부적절하게 수리하면 중상을 입거나 화재를 야기할 수 있습니다.

▶ 전기 부품은 반드시 전기 기술자가 수리하도록 해야 합니다.

- 눈에 보이는 모든 부품은 정기적으로 손상 여부를 점검하고 조작 요소가 아무 문제없이 작동하는지 점검하십시오.
- 손상되었거나 기능 장애가 있는 경우에는 제품을 작동하지 마십시오. 바로 Hilti 서비스 센터에서 수리받으십시오.
- 관리 및 수리 작업 후 모든 보호장치를 가져와 기능을 점검하십시오.

안전한 사용을 위해서 순정 예비 부품 및 소모품만을 사용하십시오. 해당 제품에 허용되는 예비 부품, 소모품 및 액세서리는 Hilti Store 또는 www.hilti.group에서 확인할 수 있습니다.

7 운반 및 보관

- 전동공구는 공구가 끼워진 상태에서 운반하지 마십시오.
- 전동공구는 항상 전원 플러그를 당긴 상태로 보관하십시오.
- 기기는 건조한 상태로 보관하고 어린이 및 허용되지 않는 사람의 손에 닿지 않도록 하십시오.
- 전동공구를 장시간 운반 또는 보관한 후에는 사용하기 전에 손상 여부를 점검하십시오.

8 문제 발생 시 도움말

본 도표에 제시되어 있지 않거나 스스로 해결할 수 없는 문제가 발생한 경우 Hilti 서비스 센터에 문의해 주십시오.

8.1 고장진단

장애	예상되는 원인	해결책
콤비 해머가 작동하지 않음.	전원이 공급되지 않음.	▶ 다른 전동공구를 끼워 기능을 점검하십시오.
	발전기가 수면 모드에 있음.	▶ 발전기를 보조 전력 기기에 연결하십시오(예: 공사현장 전등). 그리고 나서 기기의 전원을 껐다가 다시 켜십시오.
	전원공급 중단 후에 전자식 작동급지가 활성화됨.	▶ 기기를 껐다가 다시 켜십시오.
	카본이 마모됨.	▶ 전기 기술자가 점검하도록 하고, 필요시 교환하십시오.
타격이 되지 않음.	기기가 너무 차가움.	▶ 콤비 해머를 모재로 가져와서 공회전 상태로 작동시키십시오. 필요한 경우 함마링 장치가 작동될 때까지 과정을 반복하십시오.
콤비 해머가 전출력으로 작동되지 않음.	연장 케이블이 너무 김 그리고 / 또는 심선 단면적이 너무 작음.	▶ 허용된 길이로 된 연장 케이블 그리고 / 또는 단면적 크기가 충분한 심선을 사용하십시오.



장애	예상되는 원인	해결책
콤비 해머가 전출력으로 작동되지 않음.	컨트롤 스위치가 완전히 눌러지지 않음.	▶ 컨트롤 스위치를 스톱위치까지 끝까지 누르십시오.
	전원 전압이 너무 낮음.	▶ 기기를 다른 전원에 연결하십시오.
드릴이 회전하지 않음.	가능 선택 스위치가 고정되지 않았거나 "치즐링" T 위치 또는 "치출 각도 조정" -> 위치에 있지 않음.	▶ 정지상태에서 가능선택 스위치를 "함마 드릴링" >T 위치로 조정합니다.
드릴이 잠금상태에서 풀리지 않음.	척 아답타를 완전히 뒤로 당기지 않았음.	▶ 공구 잠금장치를 스톱위치까지 뒤로 당긴 다음 공구를 빼내십시오.
	측면 손잡이가 정확하게 장착 안 됨.	▶ 측면 손잡이를 푼 다음, 조임 밴드와 측면 손잡이가 홈에 안착되도록 정확하게 조립하십시오.
서비스 표시기가 적색으로 깜박임.	기기 손상.	▶ Hilti 서비스 센터에 제품 수리를 의뢰하십시오.
서비스 표시기가 적색으로 점등됨.	카본이 마모됨.	▶ 전기 기술자가 점검하도록 하고, 필요시 교환하십시오.

9 폐기

Hilti 기기는 대부분 재사용이 가능한 소재로 제작되었습니다. 재활용을 위해 개별 부품을 분리하여 주십시오. Hilti는 대부분의 국가에서 재활용을 위해 노후기기를 수거해 갑니다. Hilti 고객 서비스센터 또는 판매 상담자에게 문의하십시오.



▶ 전동 공구, 전자식 기기 및 배터리를 일반 가정 쓰레기로 폐기하지 마십시오!

10 RoHS (유해물질 사용 제한 지침)

아래 링크에서 유해물질에 관한 도표를 확인할 수 있습니다. qr.hilti.com/r1021413
RoHS 도표로 이어지는 링크는 본 문서 끝에 QR 코드 형식으로 제시되어 있습니다.

11 제조회사 보증

▶ 보증 조건에 관한 질문사항은 현지 Hilti 파트너사에 문의하십시오.

原始操作說明

1 關於操作說明的資訊

1.1 關於此文件

- 初次使用前，請詳讀本操作說明。這是安全作業和使用無虞的先決條件。
- 請遵守本操作說明中與產品上的安全說明和警告。
- 操作說明應與產品一起保管，產品交予他人時務必連同本操作說明一併轉交。

僅適用於台灣

進口商: 喜利得股份有限公司

地址: 新北市板橋區

新站路16號24樓22041

電話: 0800-221-036

1.2 已使用的符號解釋

1.2.1 警告

警告您在操作或使用本產品時可能發生之危險。採用了以下標示文字：



⚠ 危險

危險！

- ▶ 此標語警示會發生對人造成嚴重傷害甚至致死的危險情形。

⚠ 警告

警告！

- ▶ 此標語警示會造成嚴重傷害甚至致死危險的潛在威脅。

⚠ 注意

注意！

- ▶ 請小心會造成人員受傷或對設備及其他財產造成損害的潛在危險情況。

1.2.2 操作說明中的符號

本操作說明中採用以下符號：

	請遵照操作說明
	使用說明與其他資訊
	處理可回收的材料
	不可將電子設備與電池當作家庭廢棄物處置

1.2.3 圖解中的符號

圖解中採用了以下符號：

2	號碼對應操作說明的開始處的圖解。
3	圖解中的編號表示重要的工作步驟或對工作步驟重要的元件。在文字中，這些工作步驟或元件以對應的數字明顯顯示，例如 (3) 。
11	概覽圖解中使用位置編號，方便您對應到 產品概覽 段落中的圖例編號。
	本符號是為了讓您在操作本產品時可以注意某些重點。

1.3 產品專屬符號

1.3.1 產品上的符號

產品上採用下列符號：

	以鎚擊動作進行鑽孔（鎚擊鑽孔）
	鑿孔
	鑿子定位
	防護等級II（雙重絕緣）
n_0	無負載下的額定速率
/min	每分轉數
RPM	每分轉數
\emptyset	直徑
	交流電





本產品支援相容於iOS及Android平台的無線資料傳輸。

1.4 產品資訊

HILTI 產品是針對專業使用者設計，故僅經訓練、認可的人員可操作、維修與維護本產品。必須告知上述人員關於可能遭遇到的特殊危險。若因未經訓練人員操作錯誤或未依照其原本的用途操作，則本產品和它的輔助工具設備有可能會發生危險。

類型名稱和序號都標示於額定銘牌上。

- ▶ 在下方表格中填入序號。與Hilti維修中心或當地Hilti機關聯絡查詢產品相關事宜時，我們需要您提供產品詳細資訊。

產品資訊

鑿鑽兩用電鎚鑽	TE 70-AVR
產品代別	03
序號	

1.5 符合聲明

基於我們唯一的責任，本公司在此聲明本產品符合適用的指示或標準。本文件結尾處有符合聲明之副本。技術文件已歸檔：

Hilti Entwicklungsgesellschaft mbH | Tool Certification | Hiltistrasse 6 | 86916 Kaufering, Germany

2 安全性

2.1 一般電動機具安全警告

⚠ 警告 請詳閱本電動機具提供的所有安全警告、指示、圖解和說明。未能遵守以下所有指示可能會造成電擊事故、火災和/或嚴重的傷害。

妥善保存所有警示及說明，以供將來參考。

注意事項中的「機具」係指使用電源（有線）或電池（無線）的電動機具。

工作區域安全

- ▶ 請保持工作區的清潔與採光充足。雜亂而昏暗的工作區會導致意外發生。
- ▶ 勿在容易發生爆炸的環境中使用機具，例如有可燃性液體、瓦斯或粉塵存在的環境。機具產生的火花可能會引燃塵埃或煙霧。
- ▶ 操作機具時，請與兒童及旁人保持距離。注意力不集中時容易發生失控的情形。

電力安全

- ▶ 機具插頭與插座須能互相搭配。勿以任何方式改裝插頭。勿將任何變壓器插頭和與地面接觸（接地）的電動機具搭配使用。未經改裝的插頭以及能互相搭配的插座可減少發生電擊的危險。
- ▶ 避免讓身體碰觸到如管線、散熱器、爐灶與冰箱等與土地或地表接觸之物品。如果您的身體接觸到地表或地面，將增加電擊的危險。
- ▶ 請勿將機具曝露在下雨或潮濕的環境中。若水氣進入機具中將增加觸電的危險。
- ▶ 勿濫用電纜線。勿以電纜線吊掛、拖拉機具或拔下機具插頭。電纜線應避開熱氣、油、銳利的邊緣或移動性零件。電纜線損壞或纏繞會增加發生電擊事故的危險。
- ▶ 於室外操作機具時，須使用適用於戶外的延長線。使用適合戶外使用的延長線可降低觸電的風險。
- ▶ 如果無法避免在潮濕的地點操作機具，請使用漏電斷路器（RCD）保護電源供應器。使用漏電斷路器（RCD）可降低電擊的風險。

人員安全

- ▶ 操作機具時，請提高警覺，注意進行中的工作並善用常識。感到疲勞或受到藥物、酒精或治療的影響時勿使用機具。操作機具時稍不留神就可能造成嚴重的人員傷亡。
- ▶ 穿戴個人防護裝備。請隨時穿戴眼罩。適當使用防塵面罩、防滑鞋、安全帽及耳罩等安全防護配備可減少人員的傷害。
- ▶ 避免不經意的啟動。在接上電源或電池組、抬起或攜帶機具之前，務必確認開關處於關閉的位置。攜帶機具時，如果把手指放在開關上，或在開關開啟時，將機具插上插頭容易發生意外。
- ▶ 啟動機具前，應將所有調整鑰匙或扳手移開。將扳手或鑰匙留在機具的旋轉零件中可能會造成人員傷害。
- ▶ 勿將手伸出過遠。隨時站穩並維持平衡。這可讓您在意外情況發生時，對機具有較好的控制。
- ▶ 穿著適當服裝。請勿穿著寬鬆的衣服或佩戴珠寶。頭髮、衣服與手套應遠離移動性零件。移動性零件可能會夾到寬鬆的衣服、珠寶或長髮。



- ▶ 如果機具可連接吸塵裝置與集塵設備，請連接並適當使用這些設備。使用集塵裝置可降低與粉塵有關的危險。
- ▶ 請勿因頻繁而習慣使用機具便疏於遵守或忽略機具的安全規範。草率使用可能在轉眼間便造成嚴重的傷害。

機具使用與保養

- ▶ 不可強制使用機具。依據用途使用正確的機具。根據設計的速率使用機具可更快速安全地完成工作。
- ▶ 若開關無法啟動或關閉電動工具時，請勿使用電動工具。任何無法以開關控制的機具都很危險且需要維修。
- ▶ 在進行任何調整、更換配件、或貯放電動機具前，請先將插頭拔離插座和 / 或將電池組自電動機具卸下（如可拆卸）。此預防安全措施可降低機具意外啟動的風險。
- ▶ 將閒置的機具貯放在兒童拿不到的地方，勿讓不熟悉或未詳閱本說明的人員操作本機具。機具在未經訓練的使用者手中是很危險的。
- ▶ 維護機具與配件。請檢查移動性零件有無偏移或黏合的情形、零件有無破損，以及任何會影響機具運轉的狀況。如果機具受損，請先維修後再使用。很多意外便是由維護不當的機具造成的。
- ▶ 保持切割機具的銳利與清潔。具銳利切割邊緣的切割機具如果得到適當的維護，便較不會發生黏合的現象，且較容易控制。
- ▶ 遵守本指示說明使用機具、配件和工具組等，並考量工作條件與待進行的工作。將機具用在原目的外之用途可能會造成危險。
- ▶ 保持握把與其表面的乾燥、清潔且不要讓上面出現油漬。握把及其表面濕滑會在意外情況中造成機具無法安全掌控。

維修服務

- ▶ 請將機具交給合格的維修人員進行維修，並使用相同的替代零件。這可確保維護機具安全。

2.2 動力電鑽的安全操作說明

各種工作的安全操作說明

- ▶ 鑿擊鑽孔時請戴上耳罩。暴露於噪音環境下會導致聽力受損。
- ▶ 使用輔助握把。機具失控可能會導致人員受傷。
- ▶ 在配件工具或螺絲可能會接觸到隱藏配線或其自身電線的環境中執行工作時，請以僅接觸絕緣握把表面的方式握住機具。若配件工具與帶電線路接觸，機具的金屬零件也會通電，而造成觸電的情況。

使用長鑽頭的安全操作說明

- ▶ 在任何情況下均不得以高於鑽頭最大允許轉速的速度操作機具。在未與工件接觸的情況下，若鑽頭以高於其最大允許轉速的速度旋轉，可能會發生輕微的曲度，這可能會導致人員受傷。
- ▶ 請務必讓鑽頭在接觸工件的狀態下以低速開始鑽孔。在未與工件接觸的情況下，若鑽頭以高於其最大允許轉速的速度旋轉，可能會發生輕微的曲度，這可能會導致人員受傷。
- ▶ 請勿對鑽頭施加過大的壓力，僅能沿著鑽頭的縱向軸施加壓力。鑽頭可能會彎曲並隨後破裂或導致失控，進而造成人員傷害。

使用攪拌槳或攪拌器的安全操作說明

- ▶ 只有在將攪拌槳浸入要進行混合材料時才可開啟或關閉機器。否則可能導致失控，進而造成人員受傷的風險。

2.3 旋轉錐的其他安全說明

人員安全

- ▶ 僅在本產品和配件能正常運轉時使用。
- ▶ 勿嘗試以任何方式改裝產品或配件。
- ▶ 請使用本產品隨附的輔助握把。機具失控可能會導致人員受傷。
- ▶ 若工作包含鑿穿作業，請於工件另一面一併採取適當的防護措施。鑿穿的碎片會掉落和 / 或造成他人受傷。
- ▶ 以雙手握持機具本身握把。請保持機具握把清潔和乾燥。
- ▶ 在執行行配件工具可能會接觸到隱藏線路之工作時，請以握住絕緣握把的方式手持本產品。若配件工具與帶電線路接觸，機具的金屬零件也會通電，而造成觸電的情況。
- ▶ 不可碰觸旋轉中零件 - 有受傷的危險！
- ▶ 使用本產品時請配戴護目鏡、安全帽、耳罩和合適的防護面罩。
- ▶ 更換配件工具時，請穿戴防護手套。觸摸配件工具會造成割傷或灼傷。
- ▶ 穿戴護目鏡。飛散的碎片會傷到人體或眼睛。



- ▶ 研磨、切割和鑽孔時產生的粉塵可能含有危險的化學物質。例如：鉛或以鉛為基底的顏料；磚塊、混凝土和其他建材產品、天然石材和其他含矽酸鹽的產品；橡木、山毛櫸等特定木材以及化學處理的木材；石棉或含有石棉的物質。根據操作員工作時接觸的物質危險等級來決定操作員和其他人員暴露在該環境的程度。採取必要的措施，以將暴露相關條件維持在安全等級上，例如：使用吸塵系統或配戴合適的防護面罩。降低在該環境下的暴露程度的一般措施包括：
 - ▶ 工作區域保持良好通風
 - ▶ 避免長時間接觸粉塵
 - ▶ 清除臉部和身體上的粉塵
 - ▶ 穿著防護衣，用水和肥皂清洗裸露在外的身體部位
- ▶ 請經常休息，並活動您的手指以促進血液循環。長時間暴露在劇烈震動下會造成手指、手掌和手腕的血管或神經系統失調。

電力安全

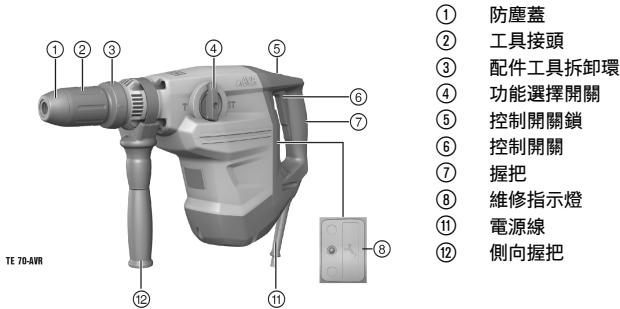
- ▶ 開始工作前，請先檢查工作區域是否有隱藏的電纜線、瓦斯管或水管。電線、天然氣管線或水管若損壞，本產品外側上的金屬零件可能導致觸電或爆炸。

小心處理與使用電子機具

- ▶ 若配件工具卡住或空轉，請關閉本產品。本產品可能會無法控制並偏向一側。
- ▶ 請等候本產品完全靜止再將其放下。

3 說明

3.1 產品總覽



- ① 防塵蓋
- ② 工具接頭
- ③ 配件工具拆卸環
- ④ 功能選擇開關
- ⑤ 控制開關鎖
- ⑥ 控制開關
- ⑦ 握把
- ⑧ 維修指示燈
- ⑪ 電源線
- ⑫ 側向握把

3.2 用途

本文所述產品為具氣動錘擊機構之電動鑽鑿兩用電鎚鑽。適用於混凝土、石材、木材和金屬。亦可於石材上進行輕至中負載的鑿孔及於混凝土上進行表面拋光作業。

- ▶ 操作時務必使用符合機具型號識別牌上所標示的電壓及電頻。

3.3 主動減震系統 (AVR) 選配

本產品可選配主動減震 (Active Vibration Reduction (AVR)) 系統，可明顯減少震動。

3.4 維修指示燈

本產品配備維修指示燈LED。

3.4.1 維修指示燈狀態

狀態	意義
維修指示燈亮紅燈。	維修間隔結束 - 維修日期已到。
維修指示燈閃紅燈。	請將產品鑽鑿兩用電鎚鑽交付Hilti維修中心進行維修。



3.5 配備及數量

鑄鑿兩用電鎚鑽、側向握把、操作說明。

關於本產品，您可於當地Hilti Store或網站查詢其他經過認證可搭配使用的系統產品：www.hilti.group | 美國：www.hilti.com

4 技術資料



關於額定電壓、額定電流、頻率、及 / 或輸入功率，請參閱國家所屬型號識別牌。

如果裝置由發電機或變壓器供電，必須至少能提供兩倍於裝置額定銘板上標示的額定輸入值電力。發電機或變壓器的操作電壓必須隨時介於機具額定電壓+5 %和-15 %以內。

	TE 70-AVR
重量 (依據EPTA程序01)	8.3 kg
單次衝擊力 (依據EPTA程序05)	11.5 J
鎚擊鑽頭, Ø	12 mm ... 55 mm
Ø木材用鑽頭	10 mm ... 32 mm
Ø金屬用鑽頭	0 mm ... 20 mm

4.1 噪音資訊和震動值 (依據EN 62841)

操作說明中所提供之音壓和震動值已參照標準測量，並可用來比較不同機具之噪音。它們也可作為噪音量的初步評估。

提供之資料表示機具主要應用時之數值。若機具應用於不同之用途，搭配不同的配件工具或在保養不良的情況下，其數據會有所不同。在作業過程中，這會大幅提高其噪音量。

當電子機具關閉，或開啟但未進行任何作業時也應列入考量，才能準確評估噪音量。在作業過程中，這會大幅降低其噪音量。

確認其他安全措施，以保護操作員不受噪音和 / 或震動影響，例如：保養機具與其配件工具、操作前保持雙手溫暖、作業型式之安排等。

噪音強度

	TE 70-AVR
聲功率級數 (L_{WA})	113 dB(A)
無法判定的聲功率級數 (K_{WA})	3 dB(A)
釋放的音壓級數 (L_{pA})	99 dB(A)
無法判定的音壓級數 (K_{pA})	3 dB(A)

總振動值

	TE 70-AVR
混凝土鎚擊鑽孔 ($a_{h, HD}$)	10.8 m/s ²
鑿孔 ($a_{h, Cheq}$)	9 m/s ²
無法判定 (K)	1.5 m/s ²

5 操作

5.1 安裝側向握把



注意


有受傷的危險 本產品失控。

▶ 檢查側向握把是否正確安裝且緊固。檢查夾緊帶是否與本產品的溝槽咬合。

▶ 安裝側向握把。





5.2 安裝 / 卸下配件工具

 使用不適合的潤滑劑可能會造成機具損壞。務必使用原廠Hilti潤滑劑。
在每次使用前必須檢查配件工具是否受損或是不均勻磨損；如有必要請更換。


- ▶ 視需要安裝或卸下配件工具。

5.3 鑽孔時無鎚擊動作

 使用含特殊連接頭的配件工具時，可進行無鎚擊鑽孔作業。Hilti機具系列可提供此種工具。
例如，若安裝一體設計快拆式夾頭，以木頭或不鏽鋼專用的平滑柄鑽頭進行無鎚擊鑽孔作業。

- ▶ 將功能選擇開關設定至「鎚擊鑽孔」位置 。

5.4 以鎚擊動作進行鑽孔 (鎚擊鑽孔)


- ▶ 將功能選擇開關設定至「鎚擊鑽孔」位置 。

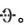
5.5 鑿子定位

注意


有受傷的危險！無法掌控鑿子方向。

- ▶ 當選擇開關設定為「鑿子定位」時，請勿操作機具。將功能選擇開關轉到「鑿孔」位置。


 鑿子可設定在24段不同檔位（每15°一段）。這可確保扁鑿和各形狀鑿子可以設定在最佳操作位置。

- ▶ 將功能選擇開關設定至「鑿子定位」位置 。

5.6 鑿孔

- ▶ 將功能選擇開關設定為「鑿孔」位置 。

5.7 控制開關鎖

 鑿孔時，可將控制開關鎖定在「開啟」的位置。

- ▶ 按下控制開關鎖。

6 維護及保養

警告

觸電危險！電源線仍連接到電源插座時進行維護和保養會造成嚴重的傷害或灼傷。

- ▶ 進行維護及保養前，請務必拔下電源線。

注意

- 仔細清除機具的頑強灰塵。
- 請使用乾燥的刷子小心清潔通風口。
- 僅能使用微濕軟布清潔外殼。勿使用含硅樹脂的清潔或亮光劑，因為可能會造成塑膠零件損壞。

維護

警告

電擊的風險！損壞的電子零件會造成嚴重的人員傷害及灼傷。

- ▶ 機具或設備電力部分的維修僅可交由訓練過的電力專員處理。
- 定期檢查外部零件和控制元件有無損壞跡象，並確認它們運作正常。



- 如果有損壞跡象或任何零件功能故障，請不要操作本產品。請將產品立刻交付Hilti維修中心進行維修。
- 清潔及保養後，裝上所有防護套或保護裝置並檢查功能是否正常。

為確保操作的安全及可靠性，請務必使用原廠Hilti備件與耗材。要選購Hilti認可的備件、耗材和配件，請至Hilti Store或網站：www.hilti.group。

7 搬運和貯放

- 搬運電子機具時請勿安裝配件。
- 貯放電子機具或設備前請務必將電源線拔掉。
- 請將工具與設備貯放在乾燥且兒童或未授權的人員無法觸及的地點。
- 長時間搬運與貯放後請檢查電子機具或設備是否有損壞。

8 故障排除

若您遇到未列出的問題或是無法自行排除的問題，請聯絡Hilti維修中心。

8.1 故障排除

故障	可能原因	解決方法
鑽鑿兩用電鎚鑽不會啟動。	電源供應中斷。	▶ 將插頭插入另一電子機具或電器並檢查是否可啟動。
	發電機處於睡眠模式。	▶ 連接第二個電力消耗裝置（例如工作燈）至發電機上。將機具先關閉再開啟。
	電源中斷後電子重新啟動聯鎖裝置啟用。	▶ 關閉機具後再開啟。
	碳刷磨損。	▶ 送交經訓練電力專員檢查，必要時予以更換。
無鎚鑽作業。	機具溫度太冷。	▶ 讓配件工具的尖端與工作面接觸，開啟機具使之旋轉。如果需要，請重複此程序直到鎚擊機制開始運作。
鑽鑿兩用電鎚鑽無法到達全功率。	延長線太長或導體截面積不足。	▶ 使用經認可的延長線及 / 或適當的截面積。
	未完全按下控制開關。	▶ 按壓控制開關直到可以運轉為止。
	電源供應電壓過低。	▶ 連接機具至不同的電源。
鑽頭無法旋轉。	功能選擇開關未啟用或在「鑿孔」 或「鑿位調整」位置。	▶ 馬達停止時，將功能選擇開關設定至「鎚擊鑽孔」 位置。
鑽頭無法鬆開。	夾頭未完全拉回。	▶ 將夾頭拉回直到移除配件工具為止。
	側向握把未正確安裝。	▶ 鬆開側向握把並重新安裝，讓夾緊帶與側向握把咬合在凹槽中。
維修指示燈閃紅燈。	機具發生故障。	▶ 請將產品交付Hilti維修中心進行維修。
維修指示燈亮紅燈。	碳刷磨損。	▶ 送交經訓練電力專員檢查，必要時予以更換。

9 廢棄設備處置

Hilti機具或設備所採用的材料大部分均可回收再利用。材料在回收前必須正確地分類。在許多國家中，您可以將舊機具及設備送回Hilti進行回收。詳情請洽Hilti維修中心，或當地Hilti代理商。

- ▶ 不可將電動工具、電動裝置和電池當成一般垃圾丟棄！



10 RoHS (有害物質限制指令)

按一下本連結可前往危險物質表：qr.hilti.com/r1021413
 您可在文件最後找到QR碼格式的RoHS表連結。

11 製造商保固

- ▶ 如果您對於保固條件有任何問題，請聯絡當地Hilti代理商。

Hilti Taiwan Co., Ltd.

24F., No. 16, Xinzhan Rd., Banqiao Dist., New Taipei City 220, Taiwan (R.O.C.)

Tel. 0800-221-036

原版操作說明

1 关于本操作说明的信息

1.1 关于本操作说明

- 首次使用或操作产品前，先阅读本操作说明。这是安全、无故障操作和使用产品的先决条件。
- 请注意本操作说明中以及产品上的安全说明和警告。
- 请务必将本操作说明与本产品保存在一起，确保将操作说明随产品一起交给他人。

1.2 所用标志的说明

1.2.1 警告

警告是为了提醒您在使用此产品时会发生的危险。使用以下信号词：



危险！

- ▶ 用于让人们能够注意到会导致严重身体伤害或致命的迫近危险。



警告！

- ▶ 用于提醒人们注意可能导致严重或致命伤害的潜在危险。



小心！

- ▶ 用于提醒人们注意可能造成人身伤害、设备损坏或其他财产损失的潜在危险情况。

1.2.2 操作说明中的符号

本操作说明中使用下列符号：

	遵守操作说明
	使用说明和其他有用信息
	处理可回收材料
	不得将电气设备和电池作为生活垃圾处置

1.2.3 图示中的符号

图示中使用了下列符号：

- 2** 这些编号指本操作说明开始处的相应图示。



3	图示中的编号表示重要的操作步骤或对操作步骤重要的部件。这些操作步骤或部件在文本中使用相应的编号突出显示，例如 (3)。
⑪	位置编号被用于概览图中并表示产品概览段落中的图例编号。
	这些符号旨在提醒您在操作本产品时要特别注意的某些要点。

1.3 与产品相关的符号

1.3.1 产品使用的符号

产品上使用以下标志：

	通过锤击作用钻孔 (锤击钻孔)
	凿边
	凿子定位
	保护等级 II (双重绝缘)
n_0	无负荷下的额定转速
/min	每分钟转数
RPM	每分钟转数
\varnothing	直径
	交流电
	本产品支持无线数据传输，兼容 iOS 和 Android 平台。

1.4 产品信息

产品经设计适用于专业用户，只有经过专门训练的授权人员才允许操作、维修和维护本产品。必须将任何可能的危险专门告知该人员。不按照既定用途使用或由未经培训的人员不正确地使用本产品及其辅助设备可能会带来危险。

型号名称和序列号印在铭牌上。

- 在下表中填写序列号。在联系 Hilti 维修中心或当地 Hilti 机构询问产品时，将要求您提供产品的详细信息。

组合锤	TE 70-AVR
分代号	03
序列号	

1.5 符合性声明

按照我们单方面的责任，我们声明本产品符合下列适用指令和标准：一致性声明副本位于本文档结尾处。技术文档在此处归档：

Hilti Entwicklungsgesellschaft mbH | Tool Certification | Hiltistrasse 6 | 86916 Kaufering, Germany

2 安全

2.1 一般电动工具安全警告

警告 请阅读本电动工具随附的所有安全警告、说明、图示和技术规范。不遵守下列所有操作说明可能会导致电击、火灾和/或严重人身伤害。

请保存所有安全警告和操作说明，以供将来参考。

在所有下列的警告中术语“电动工具”指市电驱动(有线)电动工具或电池驱动(无线)电动工具。



工作区域安全

- ▶ 保持工作区域清洁和良好照明。杂乱和黑暗的区域容易导致事故。
- ▶ 不要在爆炸性环境中操作电动工具，例如有易燃液体、气体或灰尘。电动工具会产生可以点燃这些灰尘或烟雾的火花。
- ▶ 在操作电动工具时，要令儿童和旁观者远离工作现场。万一分心，可能会使您失去对电动工具的控制。

电气安全

- ▶ 电动工具（设备）插头必须匹配电源插座。切勿以任何方式改动插头。对于接地的电动工具（设备），不要使用任何适配器插头。使用未经改动的插头和匹配的电源插座可以大大减少电击危险。
- ▶ 避免人体接触接地表面，如管道、散热片和冰箱。如果您的身体接地，则会增加电击危险。
- ▶ 不要将电动工具暴露在雨水或潮湿环境中。电动工具进水将会增加电击危险。
- ▶ 不要滥用电缆。切勿使用电缆运送、拉动或拔出电动工具。保持电缆远离高温、油、锋利边缘或运动部件。电缆损坏或缠绕会增加电击危险。
- ▶ 当在户外操作电动工具时，应使用经认可适合户外操作的加长电缆。使用适合户外使用的电缆可减少电击危险。
- ▶ 如果在潮湿环境下操作电动工具是不可避免的，应使用剩余电流动作保护器（RCD）。使用 RCD 可减小电击危险。

人身安全

- ▶ 保持警觉，注意您正在进行的工作，并在操作电动工具的过程中，应利用自己的判断能力。当您疲劳或受到药物、酒精或医疗影响时，请不要使用电动工具。当操作电动工具时，瞬间的分心都可能导致严重的人身伤害。
- ▶ 使用个人防护装备。一定要戴上护目装置。安全装置，诸如适当条件下使用防尘面具、防滑安全鞋、安全帽、听力防护等装置能减少人身伤害。
- ▶ 防止电动工具意外启动。在连接至电源和/或电池组、拿起或搬运电动工具之前，应确保开关处于“关闭”位置。将手指放在开关上搬运电动工具或在开关处于“打开”位置时接通电源，都可能会导致事故发生。
- ▶ 在打开电动工具之前，必须拿掉任何调整键或扳手。让扳手或调整键留在电动工具的旋转部件上可能会导致人身伤害。
- ▶ 不要操之过急。应时刻保持正确的站姿和平衡。这在意外情况下能够更好地控制电动工具。
- ▶ 应确保正确着装。不要穿着松垮的衣服或佩戴首饰。让头发和衣服远离运动部件。松垮的衣服、首饰或长发会卡在运动部件中。
- ▶ 如果提供有用于连接除尘和集尘设施的装置，应确保将它们连接好并正确使用。使用除尘装置可以减少与灰尘相关的危险。
- ▶ 经常使用工具能令您获得较高的熟练度，但不能因此掉以轻心和忽视工具安全准则。一次不慎操作就会在瞬间导致重伤。

电动工具的使用和维护

- ▶ 不要强制使用电动工具。针对您的应用场合使用正确的电动工具。正确的电动工具在其额定设计值范围内将能够更好和更安全地工作。
- ▶ 如果通过开关不能使其打开和关闭，则请不要使用电动工具。任何不能通过开关进行控制的电动工具都是危险的，必须对其进行修理。
- ▶ 在进行任何调整、更换配件或存放电动工具之前，应从电源上断开插头和/或从电动工具上拆下电池组（若可拆卸）。此预防性安全措施可减少意外启动电动工具的危险。
- ▶ 将不用的电动工具存放在儿童拿不到的地方，并且不要让不熟悉电动工具或其操作说明的人员操作电动工具。未经培训的用户操作电动工具是危险的。
- ▶ 维护电动工具和配件。检查是否存在运动部件失调或卡滞、部件断裂和任何其它影响电动工具操作的情况。如果存在损坏，则在使用之前应修理电动工具。许多事故都是由于电动工具维护不良造成的。
- ▶ 保持切削工具锋利和清洁。带锋利切削刀的切削工具如果维护得当，很少会发生卡滞且更容易控制。
- ▶ 按照使用说明书，考虑作业条件和进行的作业来使用电动工具、附件和工具的刀头等。将电动工具用于指定用途以外的场合会导致危险。
- ▶ 使手柄和抓握面保持干燥、清洁且没有油脂。如果手柄和抓握面打滑，将无法在意外情况下安全操作或控制本工具。

保养

- ▶ 将您的电动工具送交专业维修人员，使用同样的备件进行修理。这样才能确保维持电动工具（设备）的安全性。

2.2 电动钻孔安全说明

适用于所有作业类型的安全说明

- ▶ 在锤击钻孔时佩戴护耳装置。如果直接暴露在噪音中，则会导致听力受损。
- ▶ 使用辅助手柄。对工具失去控制可能会导致人身伤害。



- ▶ 如果在执行作业期间配件工具或螺钉可能接触到隐藏的线束或工具自带的电源线，则只能通过电动工具的绝缘抓握面持握电动工具。如果配套工具接触到带电电线，电动工具的金属部件也将带电，从而导致电击。

关于使用长钻头的安全说明

- ▶ 在任何情况下，使用电动工具作业时不得超出钻头的最大允许转速。在未与工件接触的情况下，如果钻头的旋转速度超出其最大允许转速，则会导致其轻微弯曲，继而造成伤害事故。
- ▶ 始终以低转速开始钻孔，并使钻头与工件接触。在未与工件接触的情况下，如果钻头的旋转速度超出其最大允许转速，则会导致其轻微弯曲，继而造成伤害事故。
- ▶ 不要向钻头施加过大的压力，仅可在钻头的纵向轴上施加压力。否则钻头会弯曲，继而断裂或导致失控和伤害事故。

关于使用搅拌叶片或搅棒的安全说明

- ▶ 仅当搅拌叶片浸没在待搅拌材料中时打开或关闭电动工具。否则会导致失控，继而造成受伤危险。

2.3 电锤的附加安全说明

人身安全

- ▶ 只有产品和附件处于良好的技术状态时才能使用。
- ▶ 切勿以任何方式擅自改动或改装本产品或附件。
- ▶ 请使用随产品提供的辅助手柄。对工具失去控制可能会导致人身伤害。
- ▶ 当执行需要穿透的作业时，在工件对侧采取适当的安全措施。被钻下的工件部分可能会弹出或掉落并伤害到其他人。
- ▶ 应始终用双手通过提供的手柄稳稳握住产品。保持手柄清洁干燥。
- ▶ 如果配套工具的工作区域可能接触到隐藏的线束，只能握住本产品的绝缘手柄表面进行操作。如果配套工具接触到带电电线，电动工具的金属部件也将带电，从而导致电击。
- ▶ 请勿触摸旋转部件 - 人身伤害危险！
- ▶ 使用该产品时，请佩戴护目镜、安全帽、护耳装置和适当的呼吸防护装置。
- ▶ 在更换配套工具时戴上防护手套。触碰配套工具会导致割伤和烫伤。
- ▶ 请戴上护目装置。飞溅的碎片会导致身体和眼睛受伤。
- ▶ 磨削、抛光、切割和钻孔过程中产生的粉尘可能包含有害化学物质。一些例子包括：铅或铅基涂料；砖、混凝土、其他砖石产品、天然石材和其他含硅酸盐的产品；一些木材，例如橡木、山毛榉和化学处理过的木材；石棉或含石棉的材料。根据所处理材料的危险等级，确定操作员和附近人员的暴露程度。采取必要的措施将暴露保持在安全水平内，例如使用集尘系统或佩戴适当的呼吸防护装置。减少暴露的一般措施包括：
 - ▶ 在通风良好的区域进行操作，
 - ▶ 避免长时间接触粉尘，
 - ▶ 清除脸部和身上的粉尘，
 - ▶ 穿着防护服并用肥皂和水清洗暴露的部位。
- ▶ 适当休息并活动手指，以改善手指的血液循环。工作期间长时间暴露于强烈振动环境中可能导致手指、手掌和手腕部位血管和神经系统紊乱。

电气安全

- ▶ 开始工作前，检查工作区域是否有隐蔽的电缆或天然气和水管。如果电缆、燃气管或水管有损坏，则产品的外部金属部件可能会导致电击或爆炸。

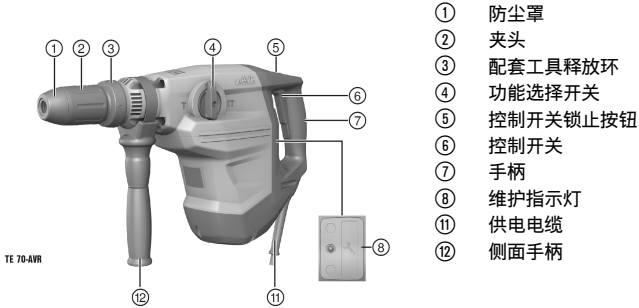
谨慎操作和使用电动工具

- ▶ 如果配套工具卡住，应立即关闭本产品。本产品可能会跑偏并转向一侧。
- ▶ 等待产品完全停止后再将其放下。



3 说明

3.1 产品概览



- ① 防尘罩
- ② 夹头
- ③ 配套工具释放环
- ④ 功能选择开关
- ⑤ 控制开关锁止按钮
- ⑥ 控制开关
- ⑦ 手柄
- ⑧ 维护指示灯
- ⑪ 供电电缆
- ⑫ 侧面手柄

3.2 预期用途

所述的产品是一款带气动锤击机构的电动组合锤。其设计用于在混凝土、砖石建筑、木材和金属中钻孔。本产品也可用于砖石建筑上的轻型到中等负荷凿边作业以及混凝土表面的修整工作。

▶ 只有当相连电源的电压和频率符合电动工具标牌上的给定信息时，才能操作本电动工具。

3.3 AVR 选配件

产品可以选配 Active Vibration Reduction (AVR) 系统，它能显著减轻振动。

3.4 维护指示灯

产品配备了一个维护指示灯 LED。

3.4.1 维护指示灯状态

状态	含义
维护指示灯呈红色亮起。	维护间隔周期结束 - 到了该进行维护的时候。
维护指示灯呈红色闪烁。	将组合锤交由 Hilti 维修中心修复。

3.5 供货提供的部件：

组合锤，侧面手柄，操作说明。

经认证可配合本产品使用的其它系统产品，可以通过您当地的 **Hilti Store** 购买或通过以下网址订购：
www.hilti.group | 美国：www.hilti.com

4 技术数据

有关额定电压、电流、频率和/或输入功率的详细信息，请参见各国特定的电动工具铭牌。

当通过发电机或变压器为设备供电时，发电机或变压器的输出功率必须至少达到本设备铭牌上显示的额定输入功率的两倍。变压器或发电机的工作电压必须始终保持在设备额定电压 +5% 和 -15% 的范围内。

	TE 70-AVR
重量 (按照 EPTA 程序 01)	8.3 kg
单次冲击能量 (按照 EPTA 标准 05)	11.5 J
锤钻钻头, Ø	12 mm ... 55 mm
Ø 木工钻头	10 mm ... 32 mm
Ø 钻金属用钻头	0 mm ... 20 mm



4.1 噪音信息和振动值按照 EN 62841 标准

这些说明中给出的声压和振动值按照标准化测试的要求测得，可用于比较一种电动工具与另一种电动工具。它们还可用于初步评价受振动影响的程度。

提供的数据代表本电动工具的主要应用。但是，如果将电动工具用于不同的应用、使用不同的配套工具或维护不良，则数据可能不同。这可能会显著增加操作者在整个工作期间受振动影响的程度。

对受振动影响程度的准确估计还应考虑当关闭电动工具或当它运行但实际未进行工作时的情况。这可能会显著减小操作者在整个工作期间受振动影响的程度。

此外，应确定附加安全措施，以保护操作者免受噪音和/或振动影响，例如：正确维护电动工具和配套工具、保持双手温暖、合理安排工作方式。

噪声排放值

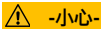
	TE 70-AVR
声 (功率) 级 (L_{WA})	113 dB(A)
声音功率级的不确定性 (K_{WA})	3 dB(A)
排放声压级 (L_{pA})	99 dB(A)
声压级的不确定性 (K_{pA})	3 dB(A)

总振动值

	TE 70-AVR
在混凝土中锤击钻孔 ($a_{h, HD}$)	10.8 m/s ²
凿边 ($a_{h, Cheq}$)	9 m/s ²
不确定性 (K)	1.5 m/s ²

5 操作

5.1 安装侧面手柄



-小心-

人身伤害的危险 失去对产品的控制。

▶ 检查并确认侧面手柄已正确安装和可靠固定。检查并确认夹紧带已接合到产品的凹槽中。

▶ 安装侧面手柄。

5.2 安装/拆卸配套工具



使用不合适的润滑脂可能会损坏本工具。只能使用原装 Hilti 润滑脂。

每次使用前始终检查配套工具是否损坏或存在不均匀磨损；必要时更换。

▶ 安装或拆卸配件工具，视具体情况而定。

5.3 不通过锤击作用钻孔



当使用带一个特殊连接端的配套工具时，可实现不通过锤击作用钻孔。Hilti 工具系列提供此类工具。

例如，当安装无键快速释放夹头时，可以使用带适用于木材或钢的平滑刀柄的钻头实现不通过锤击作用钻孔。

▶ 将功能选择开关设置到“锤击钻孔”位置

5.4 通过锤击作用钻孔 (锤击钻孔)

▶ 将功能选择开关设置到“锤击钻孔”位置



5.5 凿子定位

-小心-

人身伤害的危险！失去对凿子方向的控制。


- ▶ 当选择开关被设置到“凿子定位”位置时，不要操作工具。将功能选择开关转到“凿边”位置。



可以将凿子设置至 24 个不同位置 (以 15° 为增量)。这样可确保总是可以将平头和成形凿子设置到最佳工作位置。

- ▶ 将功能选择开关设置到“凿子定位”位置 。

5.6 凿边

- ▶ 将功能选择开关转到“凿边”位置 。

5.7 控制开关锁



当凿边时，可以将控制开关锁止在“On” (打开) 位置。

- ▶ 按下控制开关锁。

6 维护和保养

-警告-

电击危险！如果试图在电源线连接电源插座的情况下执行保养和维护，则会导致严重受伤和烫伤。

- ▶ 执行维护和保养任务之前，请务必拔下电源线。

保养

- 小心地清除工具上的顽固污渍。
- 使用干燥的刷子小心清洁通风孔。
- 请仅使用略湿的布清洁壳体。不要使用含硅清洁剂，否则可能腐蚀塑料件。

维护

-警告-

电击危险！电气部件的不当维修会造成包括灼伤在内的严重人身伤害。

- ▶ 工具或设备的电气系统只能由受过培训的电气专业人员进行维修。
- 定期检查所有可见部件和控制器是否出现损坏迹象，确保其全部正常工作。
- 如果发现损坏迹象或如果有部件发生故障，不要操作本产品。立即将产品交由 Hilti 维修中心修复。
- 清洁和维护之后，安装所有护板或保护装置，检查并确认其正常工作。



为确保安全和可靠的操作，仅限使用 Hilti 原装备件和消耗品。Hilti 批准用于配合产品使用的备件、消耗品和配件可到您当地的 Hilti Store 购买或通过以下网址在线订购：www.hilti.group。

7 运输和存放

- 运输电动工具时不得安装配套工具。
- 储存电动工具或设备之前，必须拔掉电源线。
- 将工具和设备存放在儿童或非授权人员无法接近的干燥位置。
- 经过长时间的运输或储存后，检查电动工具或设备是否损坏。

8 故障排除

如果您碰到的问题未在此表中列出或您无法自己实施补救措施，请联系 Hilti 服务部门。



8.1 故障排除

故障	可能原因	解决方案
组合锤不启动。	电源中断。	▶ 接上另一电动工具或设备并检查它是否工作。
	发电机处于睡眠模式。	▶ 通过连接另一个耗电产品 (例如, 工作灯) 给发电机施加负载。关闭工具后再次打开。
	在电源中断之后电子重新启动联锁装置启动。	▶ 关闭电动工具后再次打开。
	碳刷磨损。	▶ 让经过培训的电气专业人员进行检查, 必要时进行更换。
没有锤击作用。	电动工具过冷。	▶ 使配套工具尖接触到工作面, 打开电动工具并使其运转。必要时, 重复该步骤, 直到锤击机构开始工作。
组合锤无法全功率运转。	加长电缆太长或导线截面积不够。	▶ 使用具有许可长度和/或足够导线截面积的加长电缆。
	没有完全按下控制开关。	▶ 尽可能按下控制开关。
	电源提供的电压太低。	▶ 将电动工具连接到另一个适当电源。
钻头不旋转。	功能选择开关没有接合或处于“凿边”位置 T 或“凿子调整”位置 ↶ 。	▶ 当电机停止时, 将功能选择开关设置到“锤击钻孔”位置 ⚡T 。
钻头无法释放。	夹头未完全向后拉回。	▶ 向后拉动夹头, 直到拉不动为止, 然后拆下配套工具。
	没有正确安装侧面手柄。	▶ 释放侧面手柄, 然后正确地重新安装, 使夹紧带和侧面手柄接合在凹槽中。
维护指示灯呈红色闪烁。	工具已经发生故障。	▶ 将本产品交由 Hilti 维修中心修复。
维护指示灯呈红色亮起。	碳刷磨损。	▶ 让经过培训的电气专业人员进行检查, 必要时进行更换。

9 废弃处置

大部分用于 Hilti 工具和设备生产的材料是可回收利用的。在可以回收之前, 必须正确分离材料。在很多国家, 您的旧工具、机器或设备可送至 Hilti 进行回收。敬请联系 Hilti 服务部门或您的喜利得公司代表获得更多信息。



- ▶ 不要将电动工具、电子设备和电池扔进家庭垃圾中！

10 RoHS (有害物质限制)

单击链接, 跳转至有害物质表: qr.hilti.com/r1021413

文档末尾提供二维码形式的 RoHS 表链接。

11 制造商保修

- ▶ 如对保修条件有任何疑问, 请联系您当地的 Hilti 代表。



EC Declaration of Conformity | UK Declaration of Conformity



Manufacturer:
Hilti Corporation
Feldkircherstraße 100
9494 Schaan | Liechtenstein

UK Importer:
Hilti (Gt. Britain) Limited
No. 1 Circle Square, 3 Symphony Park
Manchester, England, M1 7FS

TE 70-AVR (03) | TE 70-ATC/AVR (03) | TE 80-ATC/AVR(03)

Serial Numbers: 1-9999999999

2006/42/EC | Supply of Machinery (Safety) Regulations 2008

EN 62841-1:2015, AC:2015

EN IEC 62841-2-6:2020/A11:2020

2014/30/EU | Electromagnetic Compatibility Regulations 2016

EN IEC 55014-1:2021

EN IEC 55014-2:2021

2011/65/EU | The Restriction of the Use of Certain Hazardous Substances in Electrical and Electronic Equipment Regulations 2012

EN IEC 61000-3-2:2019, A1:2021

EN 61000-3-3:2013 + A1:2019

EN 61000-3-11:2019

Dr. Tahar Zrilli
Head of Quality and Process Management
Business Area Electric Tools & Accessories

Schaan, 12.02.2023

Edward-Louis Przybylowicz
Head of BU Power Tool & Accessories
Business Area Electric Tools & Accessories

TE 70-AVR





Hilti Corporation
LI-9494 Schaan
Tel.:+423 234 21 11
Fax:+423 234 29 65
www.hilti.group



2063040