

# HILTI

## PS 1000

Operating instructions

en

Mode d'emploi

fr

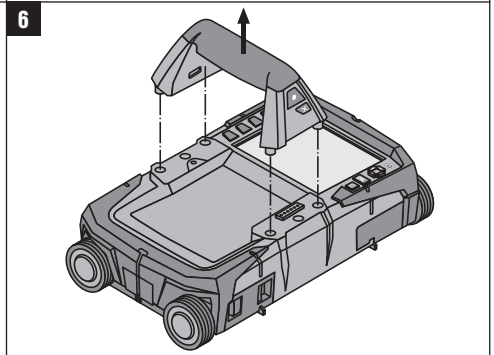
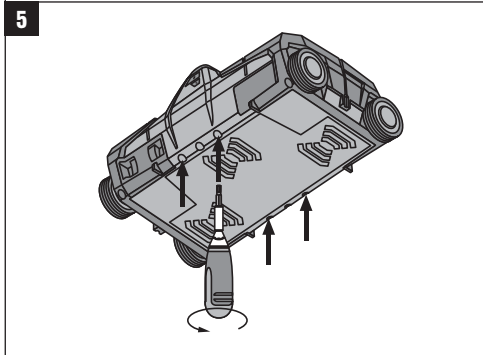
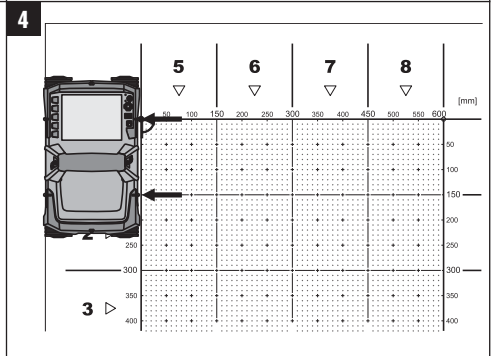
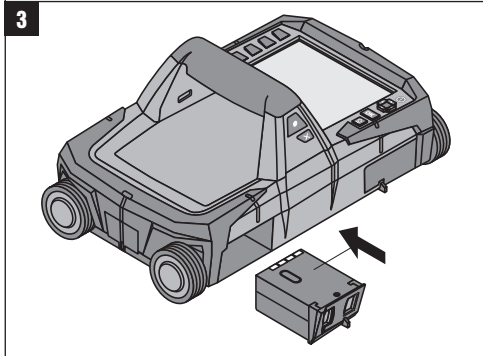
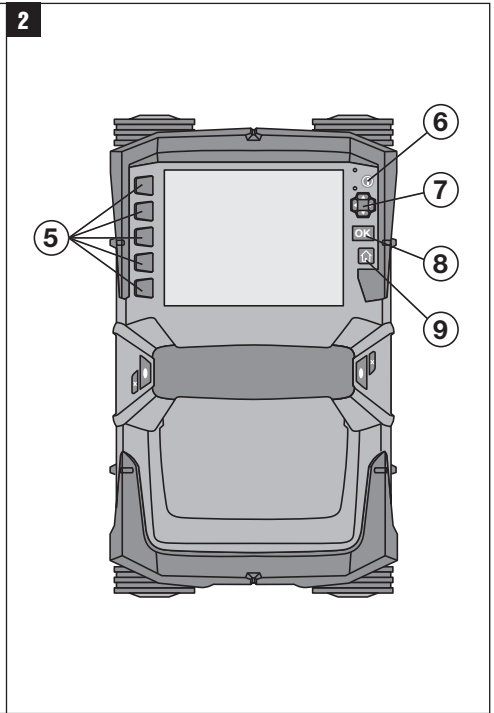
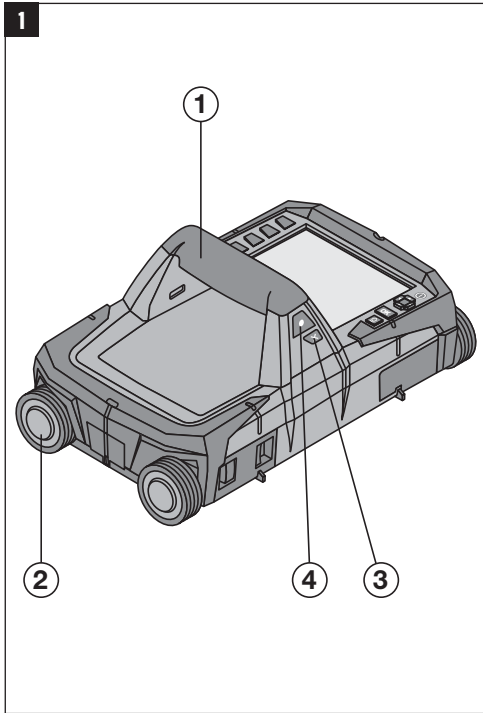
Manual de instrucciones

es

Manual de instruções

pt





# ORIGINAL OPERATING INSTRUCTIONS

## PS 1000 X-Scan

**It is essential that the operating instructions are read before the tool is operated for the first time.**

**Always keep these operating instructions together with the tool.**

**Ensure that the operating instructions are with the tool when it is given to other persons.**

Contents	Page
1 General information	1
2 Description	2
3 Safety instructions	2
4 Before use	3
5 Operation	4
6 Settings	7
7 Disposal	7
8 FCC statement (for USA only)	7
9 IC statement (for Canada only)	8

**1** These numbers refer to the corresponding illustrations. The illustrations can be found on the fold-out cover pages. Keep these pages open while studying the operating instructions.

en

### Scanner **1**

- ① Grip (removable)
- ② Wheels
- ③ Cancel button
- ④ Start/stop button

### Buttons **2**

- ⑤ Function buttons
- ⑥ On/off button
- ⑦ 4-way controller
- ⑧ Confirmation button (OK)
- ⑨ Home button

## 1 General information

### 1.1 Safety notices and their meaning

#### **DANGER**

Draws attention to imminent danger that will lead to serious bodily injury or fatality.

#### **WARNING**

Draws attention to a potentially dangerous situation that could lead to serious personal injury or fatality.

#### **CAUTION**

Draws attention to a potentially dangerous situation that could lead to slight personal injury or damage to the equipment or other property.

#### **NOTE**

Draws attention to an instruction or other useful information.

### 1.2 Explanation of the pictograms and other information

#### Warning signs



General warning

#### Symbols



Read the operating instructions before use.

## 2 Description

### 2.1 Use

The PS 1000 X-Scan is designed to locate objects in concrete structures.

### 2.2 Limitations of use

The tool complies with the requirements of the directives and standards listed in sections 8 and 9.

Prior to use of ground or wall-penetrating radar equipment, the user should check that there are no sensitive radio sites/systems in the near vicinity (airfields, radio astronomy sites, etc.). These sites may be operated by a service defined as such by the national authority responsible. If such sites are present in the vicinity of the location at which the tool is to be used, contact should be made with the operator of the site in order to reach agreement about use of the ground or wall-penetrating radar equipment before beginning scanning.

## 3 Safety instructions

### 3.1 General safety instructions

**WARNING! Read all safety instructions and other instructions.** Failure to follow safety instructions and other instructions may result in electric shock, fire and/or serious injury. **Retain all safety precautions and instructions for future reference.**



- a) **Operation of the tool in the proximity of military installations, airports or radio astronomy facilities is not permissible unless prior permission has been obtained.**
- b) **Keep children away. Keep other persons away from the working area.**
- c) **Check the display after switching the tool on.** The display should show the Hilti logo and the name of the tool. The disclaimer notice subsequently displayed must be accepted by the user before the main menu for the current project can be accessed.
- d) **Operation of the tool in the proximity of persons with a cardiac pacemaker is not permissible.**
- e) **Operation of the tool in the proximity of pregnant women is not permissible.**
- f) Rapidly changing detection conditions may lead to inaccurate readings.
- g) **Do not use the tool in the proximity of medical instruments and appliances.**
- h) **Do not drill at positions where the device has located an object. Take the diameter of the drill bit into account and always allow an adequate safety factor.**
- i) **The warnings shown in the display must always be observed.**
- j) **Due to the scanning principle employed, the results of the scan may be negatively affected by certain ambient conditions. These include, e.g. proximity to appliances that generate powerful magnetic or electromagnetic fields, dampness, construction materials containing metal, aluminium foil-backed insulation, multiple layers, materials with cavities or electrically conductive wall coverings or tiles. Accordingly, other sources of information (e.g. plans of the building) should also be consulted before beginning drilling, sawing or grinding in the area scanned.**
- k) **Take the influences of the surrounding area into account. Do not use the tool where there is a risk of fire or explosion.**
- l) **Make sure that the display area can be easily read (e.g. do not touch the display area with the fingers, keep the display area clean).**
- m) **Do not use the device if it is defective.** Contact Hilti Service.
- n) **Keep the underside of the scanner and the wheels clean as these parts can have an influence on scanning accuracy. If necessary, clean the detection surface of the scanner with water or alcohol.**
- o) **Always check how the tool is set before using it.**
- p) **Always remove the battery pack before transporting the tool.**
- q) **Store and transport the tool safely. The permissible storage temperature range is -25°C to 63°C (-13°F to +145°F).**
- r) **When the tool is brought into a warm environment from very cold conditions, or vice-versa, allow it to become acclimatized before use.**
- s) **When accessories are to be used, check that they are fitted correctly before beginning use.**

### 3.2 Proper organization of the workplace

- a) **Avoid unfavorable body positions when working from ladders. Make sure you work from a safe stance and stay in balance at all times.**
- b) **Only use the tool within the defined limits.**
- c) Observe the accident prevention regulations applicable in your country.
- d) **Check the wheels periodically and, in particular, check that the wheel caps are fitted.** Missing wheel caps may cause incorrect measurement of the length of the path scanned. The correct length of the path scanned can be checked by using the reference grid.
- e) **Check the settings and the parameters set each time before use.**

- f) **Attach the reference grid securely and, when necessary, use the given corner positions of the grid to mark the corner points on the concrete surface.**
- g) **Always use the wrist strap when working with the scanner.**

### 3.3 Electromagnetic compatibility

The device complies with the requirements of the directives and standards listed in the Declaration of Conformity section. Prior to planned use of ground or wall penetrating radar equipment, the user/operator should check that there are no sensitive radio sites/systems in the near vicinity (airfields, radio astronomy sites, etc.). These sites may be operated by a service defined as such by the national authority responsible. If such sites are present in the vicinity of the location at which the device is to be used, contact should be made with the operator of the site in order to reach agreement about use of the ground or wall-penetrating radar equipment before beginning scanning.

### 3.4 General safety precautions

- a) **Check the condition of the tool before use. If the tool is found to be damaged, have it repaired at a Hilti Service Center.**
- b) **Keep the device clean and dry at all times.**
- c) **Do not apply stickers or adhesive labels / plates at the sensor area on the underside of the device.** Metal plates / labels, in particular, will affect scanning results.
- d) **You must check the accuracy of the tool after it has been dropped or subjected to other mechanical stresses.**
- e) **In conjunction with the PSA 70 extension, the PS 1000 X-Scan may be used only for floor scanning**

applications. The extension system is not designed for scanning ceilings or walls.

- f) **Although the tool is designed for the tough conditions of jobsite use, as with other measuring instruments it should be treated with care.**
- g) **Although the tool is protected against the entry of moisture, it should be wiped dry before being put away in its transport container.**
- h) **Do not open the casing or modify the device in any way.**
- i) **Check the accuracy of the tool before using it to take measurements.**

### 3.5 Careful use of battery-powered tools or appliances

- a) **Keep the battery out of reach of children.**
- b) Remove the batteries from the tool if it is to remain unused for some time. The batteries will self-discharge and may begin to corrode if stored for a long period.
- c) **Do not expose the battery to high temperatures or fire.** This may cause the battery to explode or release toxic substances.
- d) **Do not use damaged batteries.**
- e) Under abusive conditions, liquid may be ejected from the battery, **Avoid contact. If contact accidentally occurs, flush with water. In the event of the liquid coming into contact with the eyes, rinse the eyes with plenty of water and consult a doctor.** Liquid ejected from the battery may cause irritation or burns.
- f) **Use only the battery chargers recommended by the manufacturer to charge the batteries.** Use of a charger with batteries other than the specific type(s) for which it is designed presents a risk of fire.
- g) **Observe the special instructions applicable to the transport, storage and use of Li-ion batteries.**

en

## 4 Before use



### 4.1 Inserting the battery pack and switching the tool on

1. Fully charge the PSA 81 battery pack (please refer to the operating instructions for the PUA 81 mains adapter and PSA 81 battery pack).
2. Insert the charged battery pack.
3. Insert the PSA 95 SD memory card (supplied) in the tool. This feature is not available with the PS 1000-B. **NOTE** Always check that the tool is switched off before inserting the SD memory card. **NOTE** When an SD memory card is present in the tool, the scan data will be saved on the card. When no memory card is present, the scan data will be saved in the tool's internal memory.
4. Switch the tool on by pressing the on/off button. If outside the operating temperature range, error message no. 00012 is displayed and the tool switches off automatically. In this case, allow the tool to cool down or warm up and then switch it on.
5. You must accept the terms of the disclaimer notice displayed on the screen before the tool can be operated.
6. To switch off, press and hold the on / off button for 3 seconds.

## 4.2 Settings

When operating a brand new tool you will first be requested to select the country-specific settings.

1. Use the 4-way controller to select the desired language and confirm your choice by pressing the “OK” button.
2. Make further settings using the 4-way controller and the “OK” button.
3. Use the “OK” button to confirm the settings made.

**NOTE** You can also use the “Skip” button to skip making these settings until the next time the tool is switched on.

## 5 Operation



### 5.1 Displaying the operating instructions

1. Press the “Home” button for 5 seconds.  
The operating instructions will be shown in the right context in the display. You can then browse through the complete operating instructions.
2. The operating instructions can also be displayed from the settings menu by way of the “Help” function button.
3. To close the operating instructions, press the “Back” function button.

### 5.2 Basic functions

The function buttons can be used to select the available functions.

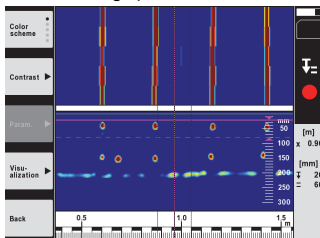
The 4-way controller can be used to shift the focus, change parameter values or, depending on the setting, shift the cross hairs or change the layer thickness/depth, etc.

The “OK” button can be used to select the object in focus or to start data processing.

### 5.3 Quickscan detection

This function is used to indicate the position of objects in a concrete structure directly, during the scan. Objects lying perpendicular to the scanning direction can be made visible in a plan view or cross-sectional view and their position then marked directly on the surface.

1. Switch the tool on or use the “Home” button to go to the main menu.
2. Select “Quickscan detection”.
3. Hold the scanner against the surface of the area to be scanned.
4. Start the scan by pressing the start/stop button.  
A beep indicates the start of the scan and a red recording mark appears in the display.
5. Move the scanner to the left or right (at least 32 cm / 13") over the surface to be scanned and back along the same scanning path in order to locate concealed objects.  
Read the position of an object using the center line in the display and mark this point on the surface of the concrete at the upper marking notch between the wheels. Alternatively, use the broken lines to mark the position of an object along the corresponding edge at the side of the tool.  
Audible and visual warnings are emitted if the scanner is moved at a speed approaching the maximum permitted scanning speed. If the scanner is moved too quickly the scan will be canceled.



6. The “Color scheme”, “Contrast” and “Param.” buttons can be used to change the visualization and calculation parameters.  
**NOTE** The “Param.” values must be set before a scan is made (please refer to the operating instructions displayed by the tool).
7. The 4-way controller can be used to set the depth/thickness according to the position of the object.
8. End the scan by pressing the start/stop button.  
 A double beep indicates that the scan has ended.

**5.4 Quickscan recording**

**NOTE**

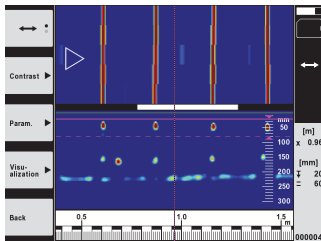
This feature is not available with the PS 1000-B.

It can be used to scan a long path on a concrete structure. After ending the scan, objects that lie perpendicular to the scanning direction can be made visible in a plan view or cross-sectional view.

1. Select the “Quickscan recording” function from the main menu.
2. Set the scanning direction.
3. Hold the scanner against the surface of the area to be scanned.
4. Start the scan by pressing the start/stop button.  
 A beep indicates the start of the scan and a red recording mark appears in the display. A minimum length of 32 cm (13”) must be scanned in order to obtain data suitable for evaluation. The red bar showing scanning progress turns black when the minimum length is reached. The maximum scanning length is 10 m (30 ft).
5. Move the scanner in the direction you have previously set.  
 Audible and visual warnings are emitted if the scanner is moved at a speed approaching the maximum permitted scanning speed. If the scanner is moved too quickly, the scan will be canceled and the data not saved.

Do not change the scanning direction. If you move the scanner more than 16 cm (7”) in the other direction, the scan will be canceled automatically.

6. End the scan by pressing the start/stop button.  
 A double beep indicates that the scan has ended.



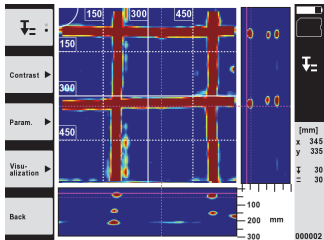
7. Use the “Preview last scan” function to check the last scan. Use the function button at top left to select the function to be controlled by the 4-way controller. The 4-way controller can be used to set the depth/thickness according to the position of the object.  
**NOTE** The “Contrast”, “Param.” and “Visualization” buttons can be used to change the visualization and calculation parameters. If you change the parameters under “Param.”, the data must be recalculated. To do this, press the “OK” button.

**5.5 Imagescan 4**

The Imagescan function creates an image of the objects present in an area of a concrete structure. The objects are shown in a plan view and a cross-sectional view.

1. First use Quickscan detection in order to determine how the objects are oriented (see Section 5.3).
2. Place the reference grid on the surface to be scanned at right angles to the direction in which the objects are oriented and secure it with the adhesive tape.  
**NOTE** The distances indicated by the scanner display and by the reference grid will correspond only when the reference grid remains flat and taut and is securely attached to the surface.
3. Select “Imagescan” from the main menu.
4. Select the grid size (possible only with the PS 1000) and the starting point.
5. Hold the scanner against the surface of the area to be examined, at the starting point and in line with the grid.

6. Start the scan by pressing the start/stop button.  
A beep indicates the start of the scan and a red recording mark appears in the display. A double beep indicates the end of the path to be scanned.  
The scan ends automatically at the end of each path.
7. Move the scanner over the area to be examined along the paths indicated by the reference grid. Scan all paths.  
Audible and visual warnings are emitted if the scanner is moved at a speed approaching the maximum permitted scanning speed. If the scanner is moved too quickly, the scan along this path will be canceled and must be repeated.  
Scanning progress is indicated by a bar in the display. The red bar showing scanning progress turns black when the minimum length is reached.
8. To discard the previously scanned path, press the “Cancel” button.  
A new scan can then be started.
9. After the last path has been scanned, the result is displayed immediately for checking and evaluation.



10. The “Contrast”, “Param.” and “Visualization” buttons can be used to change the visualization and calculation parameters. If the parameters are changed, the data must be recalculated. To do this, press the “OK” button.

## 5.6 Projects

This function can be used to manage projects and to display and evaluate recorded scans:

1. Select “Projects” from the main menu.
2. Select the desired project. The active project can be identified by its “dog ear” at top right.  
The data from the next scan will be saved under this active project.
3. Select the desired scan.  
The scan is displayed and can be re-evaluated.

## 5.7 Data transfer

### NOTE

This feature is not available with the PS 1000-B.

The scan data can be transferred to the PSA 100 monitor using the PSA 50/51 data transfer cable or directly to a PC using the PSA 95 SD memory card and PSA 96 adapter.

When the SD memory card is used to transfer scan data, always check to ensure that the PS 1000 is switched off before removing the card.

Data may otherwise be lost.

## 5.8 Removing the grip 5 6

The height of the PS 1000 X-Scan may prevent access to the surface to be scanned in certain situations where obstructions are present. To allow scanning to be carried out in such situations the grip can be removed.

Release the screws on the underside of the tool and then lift the grip upwards, away from the tool.



## 6 Settings

### 6.1 You can adjust the following:

- Brightness
- Volume level
- Date / time
- Energy modes
- Country settings

#### NOTE

Press the "Help" function button to display the complete operating instructions.

## 7 Disposal

### WARNING

Improper disposal of the equipment may have serious consequences:

The burning of plastic components generates toxic fumes which may present a health hazard.

Batteries may explode if damaged or exposed to very high temperatures, causing poisoning, burns, acid burns or environmental pollution.

Careless disposal may permit unauthorized and improper use of the equipment. This may result in serious personal injury, injury to third parties and pollution of the environment.



Most of the materials from which Hilti tools or appliances are manufactured can be recycled. The materials must be correctly separated before they can be recycled. In many countries, Hilti has already made arrangements for taking back old tools or appliances for recycling. Ask Hilti Customer Service or your Hilti representative for further information.



Dispose of the battery in accordance with national regulations.

## 8 FCC statement (for USA only)

### 8.1 FCC statement (for USA only)

- CAUTION - This equipment has been tested and found to comply with the limits for a Class B digital device, pursuant to part 15 of the FCC Rules. These limits are designed to provide reasonable protection against harmful interference in a residential installation. This equipment generates, uses, and can radiate radio-frequency energy and, if not installed and used in accordance with the instructions, may cause harmful interference to radio communications.

However, there is no guarantee that interference will not occur in a particular installation. If this equipment does cause harmful interference to radio or television reception, which can be determined by turning the equipment on and off, the user is encouraged to try to correct the interference by one or more of the following measures:

- Re-orient or re-locate the receiving antenna.

- Increase the distance between the equipment and receiver.
- Connect the equipment to an outlet on a circuit different from that to which the receiver is connected.
- Consult the dealer or an experienced radio/TV technician for assistance.

#### NOTE

Changes or modifications not expressly approved by the party responsible for compliance could void the user's authority to operate the equipment.

This device complies with part 15 of the FCC Rules. Operation is subject to the following two conditions:

1. This device may not cause harmful interference.
2. This device must accept any interference received, including interference that may cause undesired operation.

**For users in the USA**

Operation of this device is restricted to law enforcement, fire and rescue officials, scientific research institutes, commercial mining companies, construction companies and private parties operating on behalf of these groups. Operation by any other party is a violation of 47 U.S.C. § 301 and could subject the operator to serious legal penalties.

**Coordination requirements**

1. UWB imaging systems require coordination through the FCC before the equipment may be used. The operator shall comply with any constraints on equipment usage resulting from this coordination.
2. The users of UWB imaging devices shall supply detailed operational areas to the FCC Office of Engineering and Technology who shall coordinate this information with the Federal Government through the National Telecommunications and Information Administration. The information provided by the UWB operator shall include the name, address and other pertinent contact information of the user, the desired geographical area of operation, and the FCC ID number and other nomenclature of the UWB device. This material shall be submitted to the following address:  
 Frequency Coordination Branch, OET  
 Federal Communications Commission  
 445 12th Street, SW  
 Washington, D.C. 20554  
 ATTN: UWB Coordination

3. Users of authorized, coordinated UWB systems may transfer them to other qualified users and to different locations upon coordination of change of ownership or location to the FCC and coordination with existing authorized operations.
4. The NTIA/FCC coordination report shall include any needed constraints that apply to day-to-day operations. Such constraints could specify prohibited areas of operations or areas located near authorized radio stations for which additional coordination is required before operation of the UWB equipment. If additional local coordination is required, a local coordination contact will be provided. Ground Penetrating Radar Coordination Notice And Equipment Registration.  
 -Note- This form is only for domestic United States users. Failure to do this is a violation of Federal law.
  1. Date:
  2. Company name:
  3. Address:
  4. Contact information [contact name and phone number]:
  5. Area of operation [state(s)]:
  6. Equipment identification: PS 1000  
 FCC-ID: SDL-PS 1000R01
  7. Receipt date of equipment:  
 Fax this form to the FCC at: 202-418-1944 or mail it to:  
 Frequency Coordination Branch OET  
 Federal Communications Commission  
 445 12th Street, SW  
 Washington D.C., 20554  
 ATTN: UWB Coordination  
 Do not send this information to Hilti Corporation.

**9 IC statement (for Canada only)****9.1 IC statement (for Canada only)**

This device complies with the requirements defined in RSS-220 in conjunction with RSS-Gen of IC.

1. This device may not cause harmful interference.

2. This device must accept any interference received, including interference that may cause undesired operation.

**For users in Canada**

This device shall be operated only where directed to the ground or wall, and when in contact with the ground or wall surface. This device shall be operated only by law enforcement agencies, scientific research institutes, commercial mining companies, construction companies, and emergency rescue or fire-fighting organizations.

# PS 1000 X-Scan

**Avant de mettre l'appareil en marche, lire impérativement son mode d'emploi et bien respecter les consignes.**

**Le présent mode d'emploi doit toujours accompagner l'appareil.**

**Ne pas prêter ou céder l'appareil à un autre utilisateur sans lui fournir le mode d'emploi.**

Sommaire	Page
1 Consignes générales	9
2 Description	10
3 Consignes de sécurité	10
4 Mise en service	11
5 Utilisation	12
6 Réglages	15
7 Recyclage	15
8 Déclaration FCC (applicable aux États-Unis)	16
9 Déclaration IC (valable uniquement au Canada)	17

**1** Les chiffres renvoient aux illustrations respectives. Les illustrations qui se rapportent au texte se trouvent sur les pages rabattables. Pour lire le mode d'emploi, rabattre ces pages de manière à voir les illustrations.

fr

## Scanner **1**

- ① Poignée (amovible)
- ② Roulettes
- ③ Touche Annulation
- ④ Touche Marche/ Arrêt

## Touches **2**

- ⑤ Touches de fonction
- ⑥ Touche Marche / Arrêt
- ⑦ Commutateur à bascule
- ⑧ Touche de confirmation (OK)
- ⑨ Touche Home

## 1 Consignes générales

### 1.1 Termes signalant un danger et leur signification

#### DANGER

Pour un danger imminent qui peut entraîner de graves blessures corporelles ou la mort.

#### AVERTISSEMENT

Pour attirer l'attention sur une situation pouvant présenter des dangers susceptibles d'entraîner des blessures corporelles graves ou la mort.

#### ATTENTION

Pour attirer l'attention sur une situation pouvant présenter des dangers susceptibles d'entraîner des blessures corporelles légères ou des dégâts matériels.

#### REMARQUE

Pour des conseils d'utilisation et autres informations utiles.

### 1.2 Explication des pictogrammes et autres symboles d'avertissement

#### Symboles d'avertissement



Avertissement danger général

#### Symboles



Lire le mode d'emploi avant d'utiliser l'appareil

## 2 Description

### 2.1 Emploi\_pto\_rev

Le PS 1000 X-Scan sert à localiser des objets dans des structures en béton.

### 2.2 Limitations des zones d'intervention

L'appareil est en conformité avec les exigences des directives et normes stipulées aux chapitres 8 et 9.

Avant toute utilisation d'appareils à pénétration du sol ou à travers les murs, vérifier qu'aucun système radio ou ins-

tallation sensible de services de radiocommunication (radar de vol, télescope radio, etc.) ne se trouve à proximité du site de mesure. Ces systèmes/installations peuvent être exploités par un service de radiocommunication qui a été identifié en tant que tel auprès de l'administration nationale compétente. Si de tels systèmes/installations se trouvent à proximité du site de mesure, il convient de contacter l'exploitant des systèmes/installations afin de convenir du périmètre d'utilisation de l'appareil à pénétration du sol ou à travers les murs avant d'entamer toute utilisation.

## 3 Consignes de sécurité

### 3.1 Consignes générales de sécurité

**AVERTISSEMENT ! Lire et comprendre toutes les consignes de sécurité et instructions.** Le non-respect des consignes de sécurité et instructions indiquées ci-après peut entraîner un choc électrique, un incendie et / ou de graves blessures sur les personnes. **Les consignes de sécurité et instructions doivent être intégralement conservées pour les utilisations futures.**



- a) **Il est interdit d'utiliser l'appareil sans autorisation préalable à proximité d'installations militaires, d'aéroports ou d'installations radio-astronomiques.**
- b) **Tenir les enfants éloignés. Veiller à ce que personne ne se tienne à proximité de l'espace de travail.**
- c) **Contrôler la zone d'affichage après avoir mis l'appareil en marche.** La zone d'affichage devrait afficher le logo Hilti et le nom de l'appareil. Une clause de non-responsabilité apparaît ensuite dans la zone d'affichage, que vous devez accepter pour pouvoir accéder au menu principal dans le projet actuel.
- d) **Ne pas utiliser l'appareil à proximité de personnes porteuses d'un stimulateur cardiaque.**
- e) **Ne pas utiliser l'appareil à proximité de femmes enceintes.**
- f) Des conditions de mesure à forte variabilité peuvent fausser les résultats de mesure.
- g) **Ne pas utiliser l'appareil à proximité d'appareils médicaux.**
- h) **Ne jamais percer/forer à des endroits où l'appareil a détecté des objets. Tenir compte du diamètre de forage et toujours intégrer un facteur de sécurité approprié au calcul.**
- i) **Toujours tenir compte des messages d'avertissement apparaissant dans la zone d'affichage.**
- j) **Les résultats de mesure peuvent de principe être compromis dans certaines conditions environnementales. C'est par ex. le cas à proximité d'appareils qui génèrent de puissants champs magnétiques ou électromagnétiques, en présence d'humidité, de matériaux de construction qui contiennent du métal, de matériaux isolants aluminisés, de structures multicouches, de supports avec cavités ainsi que des papiers peints ou carrelages conducteurs. C'est pourquoi, avant de procéder au perçage, sciage ou fraisage, il est recommandé d'étudier les matériaux support dans d'autres sources d'information (par ex. plans de construction).**
- k) **Prêter attention aux influences de l'environnement de l'espace de travail. Ne pas utiliser l'appareil dans des endroits présentant un danger d'incendie ou d'explosion.**
- l) **Veiller à ce que l'écran soit toujours lisible (par ex. ne jamais mettre les doigts sur la zone d'affichage, veiller à ce que l'écran ne se salisse pas).**
- m) **Ne jamais utiliser un appareil défectueux. Contacter le S.A.V. Hilti.**
- n) **La propreté ayant une influence sur la précision des mesures, veiller à ce que la face inférieure du scanner et les roulettes restent toujours propres. Si nécessaire, nettoyer la surface de détection avec de l'eau ou de l'alcool.**
- o) **Contrôler les réglages de l'appareil avant utilisation.**
- p) **Ne transporter l'appareil qu'après avoir sorti le bloc-accu.**
- q) **Transporter et stocker l'appareil en toute sécurité. La température de stockage doit être comprise entre -25 °C et 63 °C (-13 à +145 °F).**
- r) **Lorsque l'appareil est déplacé d'un lieu très froid à un plus chaud ou vice-versa, le laisser atteindre la température ambiante avant de l'utiliser.**
- s) **Avant d'utiliser un accessoire, vérifier qu'il est bien monté.**

### 3.2 Aménagement correct du poste de travail

- a) **Lors de travaux sur une échelle, éviter toute mauvaise posture. Veiller à toujours rester stable et à garder l'équilibre.**

- b) **Utiliser l'appareil uniquement dans les limites d'application définies.**
- c) Respecter la réglementation locale en vigueur en matière de prévention des accidents.
- d) **Contrôler régulièrement les roulettes et vérifier en particulier si les chapeaux de roulettes sont en place.** Des chapeaux de roulettes manquants peuvent entraîner des erreurs de mesure de longueur de course. La longueur de course correcte peut être contrôlée au moyen d'un quadrillage de référence.
- e) **Avant chaque mesure, contrôler les pré réglages et les paramètres définis.**
- f) **Bien fixer le quadrillage de référence et marquer les points d'angle à l'appui des positions angulaires prédéfinies, si nécessaire, sur la surface de béton.**
- g) **Toujours travailler avec la dragonne pour les travaux de scannage.**
- d) **Après une chute ou tout autre incident mécanique, il est nécessaire de vérifier la précision de l'appareil.**
- e) **L'utilisation combinée du X-Scan PS 1000 avec le rallonge PSA 70 doit uniquement se faire pour des applications au sol.** Le système n'est pas conçu pour des travaux de scannage au plafond ou sur les murs.
- f) **Bien que l'appareil soit conçu pour être utilisé dans les conditions de chantier les plus dures, en prendre soin comme de tout autre appareil de mesure.**
- g) **Bien que l'appareil soit parfaitement étanche, il est conseillé d'éliminer toute trace d'humidité en l'essuyant avant de le ranger dans son coffret de transport.**
- h) **Il est interdit d'ouvrir ou de modifier l'appareil.**
- i) **Avant toute mesure / application, contrôler la précision de l'appareil.**

### 3.3 Compatibilité électromagnétique

L'appareil est en conformité avec les exigences des directives et normes stipulées dans le chapitre relatif aux déclarations de conformité. Avant toute utilisation d'appareils à pénétration du sol ou à travers les murs, vérifier qu'aucun système radio ou installation sensible de services de radiocommunication (radar de vol, télescope radio, etc.) ne se trouve à proximité du site de mesure. Ces systèmes/installations peuvent être exploités par un service de radiocommunication qui a été identifié en tant que tel auprès de l'administration nationale compétente. Si de tels systèmes/installations se trouvent à proximité du site de mesure, il convient de contacter l'exploitant des systèmes/installations afin de convenir du périmètre d'utilisation de l'appareil à pénétration du sol ou à travers les murs avant d'entamer toute utilisation.

### 3.4 Consignes de sécurité générales

- a) **Avant toute utilisation, l'appareil doit être contrôlé. Si l'appareil est endommagé, le faire réparer par le S.A.V. Hilti.**
- b) **Tenir l'appareil toujours en état sec et propre.**
- c) **Ne pas coller d'étiquette ou apposer d'inscriptions dans la zone de détection sur la face arrière de l'appareil.** Les plaques d'écriteau métalliques en particulier peuvent influencer sur les résultats de mesure.

### 3.5 Emploi consciencieux des appareils sur accu

- a) **Le bloc-accu doit être tenu hors de la portée des enfants.**
- b) Les piles doivent être retirées de l'appareil lorsque celui-ci n'est pas utilisé pendant un temps prolongé. En cas de stockage prolongé, les piles risquent de corroder et de se décharger.
- c) **Ne pas surchauffer le bloc-accu et ne pas l'exposer au feu.** Le bloc-accu risque d'exploser ou il y a risque de dégagement de substances toxiques.
- d) **Ne plus utiliser de blocs-accus ayant subi des dommages mécaniques.**
- e) En cas d'utilisation abusive, du liquide peut sortir de l'accumulateur. **Éviter tout contact avec ce liquide. En cas de contact par inadvertance, rincer soigneusement avec de l'eau. Si le liquide rentre dans les yeux, les rincer abondamment à l'eau et consulter en plus un médecin.** Le liquide qui sort peut entraîner des irritations de la peau ou causer des brûlures.
- f) **Ne charger les blocs-accus que dans des chargeurs recommandés par le fabricant.** Un chargeur approprié à un type spécifique de bloc-accu peut engendrer un risque d'incendie lorsqu'il est utilisé avec d'autres blocs-accus.
- g) **Respecter les directives spécifiques relatives au transport, au stockage et à l'utilisation des blocs-accus Li-Ion.**

## 4 Mise en service



### 4.1 Insertion du bloc-accu et mise en marche de l'appareil 3

1. Charger complètement le bloc-accu PSA 81 (se reporter aux instructions d'utilisation du bloc d'alimentation PUA 81 et du bloc-accu PSA 81).
2. Mettre en place le bloc-accu chargé.

- Insérer la carte mémoire PSA 95 SD fournie dans l'appareil. (Cette fonction n'est pas disponible sur le PS 1000-B).  
**REMARQUE** Insérer seulement la carte mémoire SD dans l'appareil lorsque celui-ci est arrêté.  
**REMARQUE** Si une carte mémoire SD est disponible, elle servira de support d'enregistrement des données numérisées. Si aucune carte mémoire n'est insérée, les données numérisées sont enregistrées dans la mémoire interne.
- Mettre l'appareil en marche à l'aide de la touche Marche / Arrêt.  
Hors de la plage de température de service, un message d'erreur n° 00012 est affiché et l'appareil s'arrête automatiquement. Laisser l'appareil refroidir ou se réchauffer puis le remettre en marche.
- Vous devez accepter la clause de non-responsabilité qui apparaît à l'écran pour pouvoir utiliser l'appareil.
- Pour arrêter l'appareil, maintenir la touche Marche/ Arrêt enfoncée pendant 3 secondes.

## 4.2 Réglages

Dans le cas d'un appareil neuf (qui sort d'usine), il sera d'abord demandé de sélectionner les réglages spécifiques au pays (Options régionales).

- À l'aide du commutateur à bascule, sélectionner la langue souhaitée et confirmer votre choix à l'aide de la touche de fonction "OK".
- Procéder ensuite de même pour les autres paramètres de configuration, respectivement en sélectionnant à l'aide du commutateur à bascule puis en confirmant à l'aide de "OK".
- Confirmer les réglages effectués à l'aide de la touche de fonction "OK".  
**REMARQUE** La touche de fonction "Abandonner" permet d'ignorer ces réglages de paramètres jusqu'à la prochaine mise en marche de l'appareil.

## 5 Utilisation



### 5.1 Affichage des instructions d'utilisation

- Appuyer sur la touche Home pendant 5 s.  
Les instructions d'utilisation sont affichées en fonction du contexte dans la zone d'affichage. Il est possible de naviguer ensuite dans l'ensemble des instructions d'utilisation.
- Les instructions d'utilisation peuvent aussi être affichées à l'aide de la touche de fonction "Aide" dans le menu Config.
- Pour fermer les instructions d'utilisation, appuyer sur la touche de fonction "Retour".

### 5.2 Fonctions essentielles

Les touches de fonction permettent de sélectionner les fonctions disponibles.

Le commutateur à bascule permet de déplacer la cible, modifier les valeurs des paramètres ou, selon le réglage, déplacer le réticule, modifier l'épaisseur/la profondeur de la couche, etc.

La touche de confirmation "OK" permet de sélectionner l'élément ciblé ou de lancer le processus de traitement des données.

### 5.3 Détection Quickscan

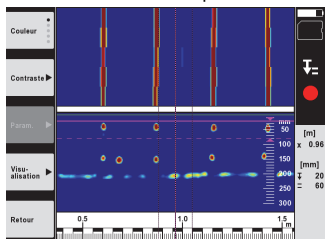
Localiser des objets dans des structures en béton et les afficher directement. Les objets se trouvant perpendiculairement au sens de balayage peuvent être visualisés en vue du dessus et vue en coupe, et leur position être directement marquée.

- Mettre l'appareil en marche ou naviguer à l'aide de la touche Home vers le menu principal.
- Sélectionner la fonction "Détection Quickscan".
- Maintenir le scanner sur la surface à sonder.
- Commencer la mesure à l'aide de la touche Marche/ Arrêt.  
Un bip retentit pour signaler le début de la mesure et un point d'enregistrement rouge apparaît dans la zone d'affichage.

- Déplacer le scanner vers la gauche ou vers la droite (de 32 cm / 13" au min.) sur la même voie de mesure dans le sens inverse au-dessus de la surface scannée, afin de localiser l'objet.

Relever la position de l'objet au moyen de la ligne médiane dans la zone d'affichage et la marquer sur l'encoche supérieure de repère entre les roulettes. Il est également possible, en guise d'alternative, d'utiliser les lignes en pointillé, pour marquer la position de l'objet le long du bord latéral adéquat de l'appareil.

Si le mouvement du scanner est à la limite de la vitesse de balayage maximale autorisée, un signal acoustique et visuel en avertit l'opérateur. Si le mouvement du scanner est trop rapide, la mesure est annulée.



fr

- Les touches de fonction "Couleurs", "Contraste" et "Param." permettent de modifier les paramètres de visualisation et de calcul.

**REMARQUE** Les valeurs de "Param." doivent être réglées avant de procéder à la mesure (voir les instructions d'utilisation dans l'appareil).

- Le commutateur à bascule permet de régler l'épaisseur/la profondeur de la couche en fonction de la situation de l'objet.
- Terminer la mesure à l'aide de la touche Marche/ Arrêt. Un double bip signale que la mesure a été terminée.

#### 5.4 Capture Quickscan

##### REMARQUE

(Cette fonction n'est pas disponible sur le PS 1000-B).

Scannage d'une distance de mesure plus longue dans des structures en béton. Les objets se trouvant perpendiculairement au sens de balayage peuvent être visualisés en fin de capture en vue du dessus et vue en coupe.

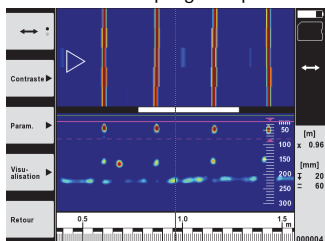
- Dans l'écran principal, sélectionner la fonction "Capture Quickscan".
- Régler la direction du scan.
- Maintenir le scanner sur la surface à sonder.
- Commencer la mesure à l'aide de la touche Marche/ Arrêt.

Un bip retentit pour signaler le début de la mesure et un point d'enregistrement rouge apparaît dans la zone d'affichage. Pour obtenir des données exploitables, il faut scanner sur une longueur minimale de 32 cm (13"). La barre de progression rouge devient noire sitôt la longueur minimale atteinte. La longueur de scan maximale est de 10 m (30 ft).

- Déplacer le scanner dans la direction qui a été précédemment réglée. Si le mouvement du scanner est à la limite de la vitesse de balayage maximale autorisée, un signal acoustique et visuel en avertit l'opérateur. Si le mouvement du scanner est trop rapide, la mesure est annulée et le scan n'est pas enregistré.

Ne pas modifier la direction du scan. Si le scanner est déplacé de plus de 16 cm (7") dans une autre direction, la mesure est automatiquement annulée.

- Terminer la mesure à l'aide de la touche Marche/ Arrêt. Un double bip signale que la mesure a été terminée.



- Contrôler la mesure à l'aide de la fonction "Prévisualisation du dernier scan". Régler le comportement de commande du commutateur à bascule à l'aide de la touche de fonction en haut à gauche. Le commutateur à bascule permet de régler l'épaisseur/la profondeur de la couche en fonction de la situation de l'objet.

**REMARQUE** Les touches de fonction "Contraste", "Param." et "Visualisation" permettent de modifier les paramètres de visualisation et de calcul. Si des valeurs de "Param." doivent être modifiées, les données doivent être à nouveau calculées. Appuyer pour ce faire sur la touche de confirmation "OK".

## 5.5 Scannage avec imagerie (Imagescan) 4

Pour une représentation en 2D d'objets dans des structures en béton. Les objets sont visualisés en vue du dessus et vue en coupe.

- Effectuer une détection Quickscan, pour évaluer l'orientation des objets (voir chap. 5.3).
- Disposer la grille de référence de manière orthogonale par rapport à la situation de l'objet sur la surface à sonder et la fixer à l'aide d'un ruban adhésif.

**REMARQUE** Il faut que la grille de référence collée soit bien tendue pour que les indications de distance dans la zone d'affichage du scanner concordent avec les données de distance de la grille de référence.

- Dans le menu principal, sélectionner la fonction "Imagescan".
- Sélectionner la taille de la grille (seulement possible sur le PS 1000) et le point de départ.
- Tenir le scanner en fonction de la grille et du point de départ sur la surface à sonder.
- Commencer la mesure à l'aide de la touche Marche/ Arrêt.

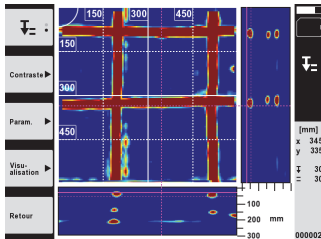
Un bip retentit pour signaler le début de la mesure et un point d'enregistrement rouge apparaît dans la zone d'affichage. Un double bip signale la fin de la voie.

La mesure se termine automatiquement à la fin de la voie de mesure.

- Déplacer le scanner en fonction de la grille prédéfinie au-dessus de la surface à sonder. Mesurer toutes les voies. Si le mouvement du scanner est à la limite de la vitesse de balayage maximale autorisée, un signal acoustique et visuel en avertit l'opérateur. Si le mouvement du scanner est trop rapide, la mesure est annulée et la voie de mesure doit être réitérée.

La progression de la mesure est affichée sous forme de barre de progression. La barre de progression rouge devient noire sitôt la longueur minimale atteinte.

- Pour ignorer la dernière voie de mesure, appuyer sur la touche Annulation. Il est ensuite possible de démarrer de nouvelles mesures.
- Une fois la dernière voie scannée, le résultat de mesure est instantanément affiché et la mesure peut alors être contrôlée et analysée.



- Les touches de fonction "Contraste", "Param." et "Visualisation" permettent de modifier les paramètres de visualisation et de calcul. Si des valeurs de "Param." sont modifiées, les données doivent être à nouveau calculées. Appuyer pour ce faire sur la touche de confirmation "OK".

## 5.6 Projets

Cette fonction permet de gérer des projets, d'afficher des scans enregistrés à des fins d'analyse :

- Dans le menu principal, sélectionner la fonction "Projets".
- Sélectionner le projet souhaité. Le projet actif se reconnaît par l'angle supérieur droit replié. Les données numérisées à venir seront enregistrées dans ce projet actif.
- Sélectionner le scan souhaité. Le scan est affiché et peut être à nouveau analysé.



## 5.7 Transmission de données

### REMARQUE

Cette fonction n'est pas disponible sur le PS 1000-B.

Les données numérisées peuvent être transmises soit via le câble de transfert de données PSA 50/51 au moniteur PSA 100, soit par le biais de la carte mémoire SD PSA 95 et de l'adaptateur PSA 96 directement à un PC.

Si les données numérisées doivent être échangées avec la carte mémoire SD, vérifier au préalable que le PS 1000 est arrêté avant de retirer la carte.

Sinon il peut y avoir un risque de perdre les données.

fr

## 5.8 Démontage de la poignée 5 6

Dans certaines circonstances liées à la construction, il peut être impossible de mettre le X-Scan PS 1000 sur la surface à sonder en raison d'une hauteur de construction trop grande. Pour pouvoir malgré tout numériser ces surfaces, la poignée peut être démontée.

Pour ce faire, desserrer les vis sur la partie inférieure de l'appareil et soulever la poignée vers le haut.

## 6 Réglages

### 6.1 Les réglages suivants peuvent être effectués :

- Luminosité
- Volume sonore
- Date / Heure
- Modes Énergie
- Réglages spécifiques au pays

### REMARQUE

Appuyer sur la touche de fonction "Aide" pour accéder aux instructions d'utilisation en intégralité.

## 7 Recyclage

### AVERTISSEMENT

En cas de recyclage incorrect du matériel, les risques suivants peuvent se présenter :

la combustion de pièces en plastique risque de dégager des fumées et gaz toxiques nocifs pour la santé.

Les piles abîmées ou fortement échauffées peuvent exploser, causer des empoisonnements ou intoxications, des brûlures (notamment par acides), voire risquent de polluer l'environnement.

En cas de recyclage sans précautions, des personnes non autorisées risquent d'utiliser le matériel de manière incorrecte, voire de se blesser sérieusement, d'infliger de graves blessures à des tierces personnes et de polluer l'environnement.



Les appareils Hilti sont fabriqués en grande partie avec des matériaux recyclables dont la réutilisation exige un tri correct. Dans de nombreux pays, Hilti est déjà équipé pour reprendre votre ancien appareil afin d'en recycler les composants. Consulter le service clients Hilti ou votre conseiller commercial.



Les blocs-accus doivent être éliminés conformément aux réglementations nationales en vigueur.

## 8 Déclaration FCC (applicable aux États-Unis)

### 8.1 Déclaration FCC (applicable aux États-Unis)

-ATTENTION- Cet appareil a subi des tests qui ont montré qu'il était conforme aux limites définies pour un instrument numérique de la classe B, conformément à l'alinéa 15 des règlements FCC. Ces limites sont conçues pour assurer une protection suffisante contre des interférences nuisibles dans les zones résidentielles. Des appareils de ce type gênent, utilisent et peuvent donc émettre des radiations haute fréquence. S'ils ne sont pas installés et utilisés conformément aux instructions, ils peuvent causer des interférences nuisibles dans les réceptions de radiodiffusion.

L'absence de telles perturbations ne peut toutefois être garantie dans des installations de type particulier. Si cet appareil provoque des interférences nuisibles à la réception radio ou télévision, ce qui peut être constaté en l'arrêtant et en le remettant en marche, l'utilisateur est tenu d'éliminer ces perturbations en adoptant l'une ou l'autre des mesures suivantes :

- Réorienter l'antenne de réception ou la déplacer.
- Augmenter la distance entre l'appareil et le récepteur.
- Raccorder l'appareil à une prise d'un circuit électrique différent de celui sur lequel est connecté le récepteur.
- Demander l'aide d'un revendeur ou d'un technicien spécialisé en radio/TV.

#### REMARQUE

Toute modification ou tout changement subi par l'appareil et non expressément approuvé par Hilti peut limiter le droit de l'utilisateur à se servir de l'équipement.

Ce dispositif est conforme au paragraphe 15 des dispositions FCC. La mise en service est soumise aux deux conditions suivantes :

1. L'appareil n'engendre aucune perturbation nuisible.
2. L'appareil doit accepter des perturbations qui risquent de déclencher un fonctionnement inopiné.

#### Pour les clients aux États-Unis

L'utilisation de ce dispositif est strictement limitée aux organismes chargés de l'application de la loi, organismes officiels de secours ou de lutte contre les incendies, instituts de recherche scientifique, entreprises minières commerciales, entreprises de construction ainsi qu'aux sociétés privées travaillant pour le compte de ces groupes. Toute utilisation par une autre partie quelconque est une violation de la Constitution Américaine 47 U.S.C. § 301 et peut exposer l'opérateur à de lourdes pénalités légales.

#### Exigences de coordination

1. Préalablement à toute utilisation de l'équipement, les systèmes d'imagerie ultra large bande (UWB) requièrent une coordination par le biais de la Federal Communications Commission (FCC). L'opérateur doit se soumettre à toutes les contraintes quelles qu'elles soient applicables à l'usage de l'équipement résultant d'une telle coordination.
  2. Les utilisateurs des dispositifs d'imagerie UWB doivent déclarer en détail les zones opérationnelles au bureau FCC Office of Engineering and Technology, qui se chargera de la coordination de ces informations avec le Gouvernement Fédéral par l'intermédiaire de la National Telecommunications and Information Administration (NTIA). Les informations fournies par l'opérateur du dispositif UWB doivent notamment comprendre le nom, l'adresse et toutes autres informations de contact pertinentes relatives à l'utilisateur, la zone géographique envisagée pour l'utilisation ainsi que le numéro d'identification FCC et autres nomenclatures du dispositif UWB. Ces informations doivent être envoyées à l'adresse suivante :  
Frequency Coordination Branch, OET  
Federal Communications Commission  
445 12th Street, SW  
Washington, D.C. 20554  
ATTN: UWB Coordination
  3. Les utilisateurs de systèmes UWB agréés et soumis à la coordination sont autorisés à les transférer à d'autres utilisateurs qualifiés et à des lieux différents, sous réserve de coordination du changement de propriétaire ou de lieu à la FCC ainsi que la coordination avec les opérations autorisées existantes.
  4. Le rapport de coordination NTIA/FCC doit faire état de toutes les contraintes requises qui s'appliquent aux opérations quotidiennes. De telles contraintes doivent notamment spécifier les zones de fonctionnement interdites, ou les zones situées à proximité de stations radio pour lesquelles une coordination additionnelle est requise avant toute utilisation de l'équipement UWB. Si une coordination locale additionnelle est requise, un contact de coordination local sera indiqué. Rapport de coordination des radars géophysiques d'auscultation non destructive GPR et enregistrement des équipements ("Ground Penetrating Radar Coordination Notice And Equipment Registration").  
-Remarque- Ce formulaire est uniquement destiné aux utilisateurs à l'intérieur des États-Unis. Toute inobservation à cela sera considérée comme violation de la loi fédérale.
1. Date :

2. Nom de l'entreprise :
3. Adresse :
4. Informations de contact [nom du contact et numéro de téléphone] :
5. Périmètre d'intervention [état(s)] :
6. Identification de l'équipement : PS 1000  
FCC-ID : SDL-PS 1000R01
7. Date de réception de l'équipement :

Transmettre ce formulaire à FCC au n° de fax :  
202-418-1944 ou par courrier à :  
Frequency Coordination Branch OET  
Federal Communications Commission  
445 12th Street, SW  
Washington D.C., 20554  
ATTN : UWB Coordination  
Ne pas envoyer cette information à Hilti Corporation.

fr

## 9 Déclaration IC (valable uniquement au Canada)

### 9.1 Déclaration IC (valable uniquement au Canada)

Ce dispositif est conforme aux exigences telles que définies dans RSS-220 en conjonction avec les RSS-Gen de l'IC.

1. Le dispositif ne doit pas causer d'interférences nuisibles.

2. Le dispositif doit accepter toutes les interférences reçues, y compris celles pouvant provoquer un fonctionnement indésirable.

#### Pour les clients au Canada :

Ce dispositif doit uniquement être mis en marche lorsqu'il est dirigé vers le sol ou un mur, et qu'il est en contact avec la surface du sol ou du mur. Ce dispositif peut être utilisé par des organismes chargés de l'application de la loi, instituts de recherche scientifique, entreprises minières commerciales, entreprises de construction ainsi que des organismes de secours d'urgence ou de lutte contre les incendies.

# X-Scan PS 1000

**Lea detenidamente el manual de instrucciones antes de la puesta en servicio.**

**Conservar siempre este manual de instrucciones cerca de la herramienta.**

**En caso de traspaso a terceros, la herramienta siempre se debe entregar junto con el manual de instrucciones.**

Índice	Página
1 Indicaciones generales	18
2 Descripción	19
3 Indicaciones de seguridad	19
4 Puesta en servicio	20
5 Manejo	21
6 Ajustes	24
7 Reciclaje	24
8 Indicación FCC (válida en EE. UU.)	25
9 Indicación IC (válida en Canadá)	26

**1** Los números hacen referencia a las ilustraciones que pueden encontrarse en las páginas desplegadas correspondientes. Manténgalas desplegadas mientras estudia el manual de instrucciones.

## Escáner **1**

- ① Empuñadura (desmontable)
- ② Ruedas de rodadura
- ③ Tecla de cancelación
- ④ Tecla de inicio/parada

## Teclas **2**

- ⑤ Teclas de función
- ⑥ Tecla de encendido/apagado
- ⑦ Conmutador
- ⑧ Tecla de confirmación (OK)
- ⑨ Tecla de inicio

## 1 Indicaciones generales

### 1.1 Señales de peligro y su significado

#### PELIGRO

Término utilizado para un peligro inminente que puede ocasionar lesiones graves o incluso la muerte.

#### ADVERTENCIA

Término utilizado para una posible situación peligrosa que puede ocasionar lesiones graves o la muerte.

#### PRECAUCIÓN

Término utilizado para una posible situación peligrosa que puede ocasionar lesiones o daños materiales leves.

#### INDICACIÓN

Término utilizado para indicaciones de uso y demás información de interés.

### 1.2 Explicación de los pictogramas y otras indicaciones

#### Símbolos de advertencia



Advertencia de peligro en general

#### Símbolos



Leer el manual de instrucciones antes del uso

## 2 Descripción

### 2.1 Utilización

La PS 1000 X-Scan permite localizar objetos en estructuras de hormigón.

### 2.2 Restricciones de los ámbitos de utilización

La herramienta cumple los requisitos establecidos en las normas y directivas especificadas en los capítulos 8 y 9. Antes de utilizar detectores de radar para pared y suelo, compruebe que cerca del lugar de medición no existen

sistemas ni instalaciones de radio sensibles (radar aéreo, radiotelescopios, etc.) gestionados por servicios de radio. Estos sistemas/instalaciones podrían ser utilizados por un servicio de radio identificado como tal conforme a las autoridades responsables en el lugar de utilización. En caso de que haya sistemas/instalaciones de este tipo cerca del lugar de medición, póngase en contacto con los explotadores de los mismos para, antes de proceder a la medición, llegar a un acuerdo sobre el uso de la herramienta en dicha zona.

es

## 3 Indicaciones de seguridad

### 3.1 Indicaciones generales de seguridad

¡ATENCIÓN! Lea con atención todas las instrucciones e indicaciones de seguridad. En caso de no respetar las instrucciones e indicaciones de seguridad que se describen a continuación, podría producirse una descarga eléctrica, incendio y/o lesiones graves. **Conserve todas las instrucciones e indicaciones de seguridad para futuras consultas.**



- a) **La herramienta no debe ponerse en servicio sin autorización previa cerca de instalaciones militares, aeropuertos o centros radioastronómicos.**
- b) **Mantenga a los niños alejados. Mantenga a terceras personas alejadas del área de trabajo.**
- c) **Compruebe la pantalla después de haber conectado la herramienta.** La pantalla debería mostrar el logo de Hilti y el nombre de la herramienta. Posteriormente aparecerá un aviso de exención de responsabilidad que deberá aceptar para acceder al menú principal con el proyecto actual.
- d) **La herramienta no debe emplearse cerca de personas que lleven marcapasos.**
- e) **No utilice la herramienta cerca de mujeres embarazadas.**
- f) El resultado puede verse alterado por el efecto de condiciones de medición que varíen rápidamente.
- g) **No utilice la herramienta en la proximidad de aparatos médicos.**
- h) **No taladre en los puntos en los que el equipo ha encontrado objetos. Tenga en cuenta el diámetro de taladrado y añada siempre un factor de seguridad adecuado.**
- i) **Observe siempre los avisos de advertencia de la pantalla.**
- j) **Los resultados de la medición pueden verse afectados por determinadas condiciones del entorno. Entre ellas se encuentran, p. ej., la proximidad de herramientas que generen fuertes campos magnéticos o electromagnéticos, humedad, materiales de construcción que contengan metales,**

materiales aislantes con laminado de aluminio, estructuras de capas, superficies de trabajo con cavidades huecas, así como papeles pintados o azulejos conductores. Por ello, antes de taladrar, serrar o fresar en las superficies de trabajo tenga en cuenta también otras fuentes de información (p. ej., los planos).

- k) **Observe las condiciones ambientales. No utilice la herramienta en lugares donde exista peligro de incendio o explosión.**
- l) **Sujete la pantalla de forma que pueda leerla (p. ej., no la sujete poniendo los dedos encima de la pantalla, y no deje que la pantalla se ensucie).**
- m) **Nunca utilice el equipo cuando esté averiado.** Póngase en contacto con el Servicio de Asistencia de Hilti.
- n) **Asegúrese de que la parte baja y las ruedas del escáner estén siempre limpias, ya que la suciedad podría afectar a la precisión de medición. Si fuera necesario, limpie la superficie de detección con agua o alcohol.**
- o) **Compruebe los ajustes de la herramienta antes de utilizarla.**
- p) **Extraiga siempre la batería para transportar la herramienta.**
- q) **Procure unas condiciones de transporte y almacenamiento seguras para la herramienta. La temperatura de almacenamiento se encuentra entre -25 °C y 63 °C (-13 °F - +145 °F).**
- r) **Si la herramienta pasa de estar sometida a un frío intenso a un entorno más cálido o viceversa, espere a que alcance una temperatura similar a la del entorno antes de empezar a utilizarla.**
- s) **Antes de trabajar con los accesorios, asegúrese de que están correctamente montados.**

### 3.2 Organización segura del lugar de trabajo

- a) **Durante el trabajo con los conductores, procure no adoptar posturas forzadas. Procure que la postura sea estable y manténgase siempre en equilibrio.**
- b) **Utilice la herramienta solo dentro de los límites de aplicación definidos.**

- c) Observe las disposiciones locales sobre prevención de accidentes.
- d) **Controle las ruedas periódicamente, sobre todo que las cubiertas de las ruedas estén debidamente colocadas.** La falta de una o de varias cubiertas de rueda podría dar lugar a errores de medición del recorrido. El recorrido correcto se puede comprobar sobre la base de la malla de referencia.
- e) **Compruebe los ajustes previos y los parámetros fijados antes de cada medición.**
- f) **Fije correctamente la malla de referencia y, si fuera necesario, marque los puntos angulares sobre la superficie del hormigón con ayuda de las posiciones angulares.**
- g) **Al realizar los trabajos de escaneo utilice siempre el asidero en forma de correa.**
- d) **Es necesario que compruebe la precisión del aparato en caso de que este se caiga o se produzcan otros efectos mecánicos.**
- e) **El X-Scan PS 1000 en combinación con la prolongación PSA 70 solo puede utilizarse para aplicaciones de suelo.** El sistema no está concebido para realizar escaneos en techos y paredes.
- f) **Si bien la herramienta está diseñada para un uso en condiciones duras de trabajo, como lugares de construcción, debe tratarla con sumo cuidado, al igual que las demás herramientas de medición.**
- g) **Aunque la herramienta está protegida contra la humedad, séquela con un paño antes de introducirla en el contenedor de transporte.**
- h) **No está permitido abrir o modificar el equipo.**
- i) **Compruebe la precisión de la herramienta antes de utilizarla o realizar mediciones.**

### 3.3 Compatibilidad electromagnética

El equipo cumple los requerimientos establecidos en las normas y directivas especificadas en el capítulo «Declaración de conformidad». Antes de utilizar equipos de radar para paredes y suelos, asegúrese de que cerca del lugar de medición no existan sistemas ni instalaciones de radio sensibles (radar aéreo, radiotelescopios, etc.) gestionados por servicios de radio. Estos sistemas/instalaciones podrían ser utilizados por un servicio de radio identificado como tal conforme a las autoridades responsables en el lugar de utilización. En caso de que haya sistemas/instalaciones de este tipo cerca del lugar de medición, póngase en contacto con los explotadores de los mismos para, antes de proceder a la medición, llegar a un acuerdo sobre el uso del equipo en dicha zona.

### 3.4 Medidas de seguridad generales

- a) **Compruebe la herramienta antes de su utilización. Si presentara daños, acuda al departamento del servicio técnico de Hilti para que la reparen.**
- b) **Mantenga el equipo siempre limpio y seco.**
- c) **No coloque adhesivos ni placas cerca del área del sensor situada en la parte posterior del equipo.** Las placas metálicas tienen especial influencia en los resultados de medición.
- a) **Mantenga la batería fuera del alcance de los niños.**
- b) Saque las pilas de la herramienta cuando no la vaya a utilizar durante un período prolongado. Durante los períodos prolongados de almacenamiento, las pilas pueden oxidarse y descargarse.
- c) **No deje que la batería se caliente en exceso ni la exponga al fuego.** La batería puede explotar o liberar sustancias tóxicas.
- d) **Las baterías que presenten daños mecánicos no pueden volver a utilizarse.**
- e) La utilización inadecuada de la batería puede provocar fugas de líquido. **Evite el contacto con este líquido. En caso de contacto accidental, enjuague el área afectada con abundante agua. En caso de contacto con los ojos, aclárelos con agua abundante y consulte de inmediato a su médico.** El líquido de la batería puede irritar la piel o producir quemaduras.
- f) **Cargue las baterías únicamente con los cargadores recomendados por el fabricante.** La carga de baterías en un cargador destinado a otro tipo de baterías puede provocar incendios.
- g) **Tenga en cuenta las directivas especiales en materia de transporte, almacenamiento y funcionamiento de las baterías de Ion-Litio.**

## 4 Puesta en servicio



### 4.1 Introducción de la batería y conexión de la herramienta 3

1. Cargue la batería PSA 81 por completo (véase el manual de instrucciones del bloque de alimentación PUA 81 y de la batería PSA 81).
2. Coloque la batería una vez cargada.

3. Introduzca en la herramienta la tarjeta de memoria SD PSA 95 suministrada. (Esta función no está disponible en la PS 1000-B).  
**INDICACIÓN** La herramienta debe estar apagada para poder introducir la tarjeta de memoria SD.  
**INDICACIÓN** Si hay insertada una tarjeta de memoria SD, los datos del escaneo se guardarán en ella. En caso de que no haya ninguna, los datos se guardarán en la memoria interna.
4. Conecte la herramienta con la tecla de encendido/apagado.  
Si la temperatura de funcionamiento está fuera del rango admisible, se muestra el aviso de error n.º 00012 y se apaga automáticamente la herramienta. Deje que la herramienta se enfríe o caliente, según el caso, y enciéndala a continuación.
5. Para empezar a utilizarla, deberá aceptar el aviso de exención de responsabilidad que aparece en la pantalla.
6. Para apagar la herramienta, mantenga pulsada la tecla de encendido/apagado durante 3 segundos.

#### 4.2 Ajustes

En las herramientas recién enviadas de fábrica se le solicitará en primer lugar que seleccione los ajustes regionales específicos.

1. Seleccione con el conmutador el idioma y confirme la selección con la tecla "OK".
2. A continuación, vaya seleccionando las demás opciones con el conmutador y la tecla de confirmación "OK".
3. Confirme con la tecla de función "Ok" los ajustes realizados.  
**INDICACIÓN** También puede dejar estos ajustes para la siguiente vez que se encienda la herramienta mediante la tecla de función "Saltar".

## 5 Manejo



#### 5.1 Visualización del manual de instrucciones

1. Pulse la tecla de inicio durante 5 segundos.  
El manual de instrucciones se muestra en la pantalla según contexto. Después podrá navegar por todo el manual.
2. Para visualizar el manual de instrucciones, pulse la tecla de función "Ayuda" del menú de ajuste.
3. Para salir del manual de instrucciones, pulse la tecla de función "Atrás".

#### 5.2 Funciones básicas

Mediante las teclas de función puede seleccionar las funciones disponibles.

Con el conmutador puede desplazar el cursor, modificar los valores de los parámetros o —dependiendo del ajuste— desplazar la cruz reticular, modificar el espesor/profundidad de capa, etc.

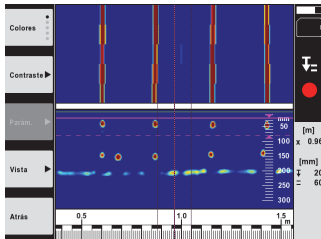
Con la tecla de confirmación "OK" puede seleccionar el elemento señalado por el cursor o iniciar el procesamiento de datos.

#### 5.3 Detección Quickscan

Localizar objetos en estructuras de hormigón y visualizarlos directamente. Una vez terminada la captura, puede visualizar y señalar la posición de objetos situados en ángulo recto respecto a la dirección de escaneo utilizando la vista en planta y la vista de sección.

1. Encienda la herramienta o pulse la tecla de inicio para acceder al menú principal.
2. Seleccione la función "Detección Quickscan".
3. Mantenga el escáner sobre la superficie de exploración.
4. Inicie la medición con la tecla de inicio/parada.  
Suena una señal acústica que indica que comienza la medición y se muestra un punto rojo en pantalla.

- Desplace el escáner hacia la derecha o la izquierda (mín. 32 cm / 13") y vuelva sobre la misma traza de medición sobre la superficie de exploración para localizar los objetos.  
 Lea la posición del objeto con ayuda de la línea central en pantalla y márquela en la muesca superior entre los márgenes. También puede utilizar las líneas de rayas para marcar la posición del objeto a lo largo del borde lateral correspondiente de la carcasa.  
 Si la velocidad de escaneo alcanza el límite máximo permitido, se emite una señal visual y acústica de advertencia. Si es demasiado rápido, se interrumpe el proceso.



- Con las teclas de función "Colores", "Contraste" y "Parámetros" puede modificar los parámetros de cálculo y visualización.  
**INDICACIÓN** Los valores correspondientes a "Parámetros" se deben ajustar antes de la medición (véase el manual de instrucciones en la herramienta).
- Con el conmutador se pueden ajustar el espesor/profundidad de capa según la posición del objeto.
- Finalice la medición con la tecla de inicio/parada.  
 Una señal acústica doble indica que ha finalizado la medición.

#### 5.4 Captura Quickscan

##### INDICACIÓN

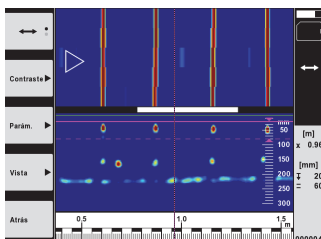
Esta función no está disponible para la PS 1000-B.

Captura de un tramo de medición más largo en estructuras de hormigón. Una vez terminada la captura, puede visualizar objetos situados en ángulo recto respecto a la dirección de escaneo utilizando la vista en planta y la vista de sección.

- Seleccione la función "Captura Quickscan" en el menú principal.
- Ajuste la dirección de escaneo.
- Mantenga el escáner sobre la superficie de exploración.
- Inicie la medición con la tecla de inicio/parada.  
 Suena una señal acústica que indica que comienza la medición y se muestra un punto rojo en pantalla. Para obtener datos aptos para la evaluación escanee una longitud mínima de 32 cm (13"). La barra de progreso de color rojo se vuelve negra en el momento en que se alcanza la longitud mínima. La longitud máxima de escaneo es de 10 m (30 ft).
- Desplace el escáner en la dirección que ha seleccionado previamente.  
 Si la velocidad de escaneo alcanza el límite máximo permitido, se emite una señal visual y acústica de advertencia. Si es demasiado rápido, se interrumpe el proceso y no se guarda el escaneo.

No modifique la dirección de escaneo. Si desplaza el escáner más de 16 cm (7") en la otra dirección, se interrumpe la medición automáticamente.

- Finalice la medición con la tecla de inicio/parada.  
 Una señal acústica doble indica que ha finalizado la medición.





- Compruebe la medición con la función "Vista previa último escaneo". Ajuste la reacción de control del conmutador con la tecla de función superior izquierda. Con el conmutador se pueden ajustar el espesor/profundidad de capa según la posición del objeto.

**INDICACIÓN** Con las teclas de función "Contraste", "Parám." y "Vista" puede modificar los parámetros de cálculo y visualización. Para modificar los valores de "Parám.", es preciso volver a calcular los datos. Pulse para ello la tecla de confirmación "OK".

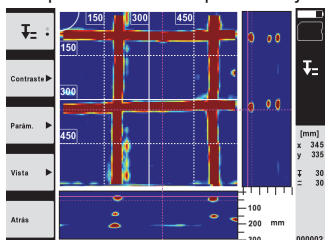
## 5.5 Imagescan 4

Para una vista superficial de objetos en estructuras de hormigón. Los objetos se representan mediante vistas en planta y vistas de sección.

- Ejecute una detección Quickscan para evaluar la orientación de los objetos (véase el cap. 5.3).
- Coloque la malla de referencia perpendicularmente a la posición del objeto sobre la superficie de exploración y fíjela con cinta adhesiva.

**INDICACIÓN** Solo si la malla está correctamente fijada, los datos de distancia de la pantalla del escáner coincidirán con los datos de distancia de la malla.

- Selecione la función "Imagescan" en el menú principal.
  - Selecione el tamaño de malla (solo disponible en la PS 1000) y el punto inicial.
  - Sujete el escáner conforme a la malla y el punto inicial sobre la superficie de exploración.
  - Inicie la medición con la tecla de inicio/parada.
- Suena una señal acústica que indica que comienza la medición y se muestra un punto rojo en pantalla. Una señal acústica doble indica que ha finalizado la traza.
- La medición finaliza automáticamente al final de la traza de medición que corresponda.
- Desplace el escáner conforme a la malla prescrita sobre la superficie de exploración. Mida todas las trazas. Si la velocidad de escaneo alcanza el límite máximo permitido, se emite una señal visual y acústica de advertencia. Si es demasiado rápido, se interrumpe el proceso y deberá repetirse la traza de medición. El progreso de medición se indica mediante una barra. La barra de progreso de color rojo se vuelve negra en el momento en que se alcanza la longitud mínima.
  - Para eliminar la última traza medida, pulse la tecla de cancelación. A continuación puede iniciar una nueva medición.
  - Una vez terminado el escaneo de la última traza, se muestra inmediatamente el resultado de la medición y puede proceder a su comprobación y análisis.



- Con las teclas de función "Contraste", "Parám." y "Vista" puede modificar los parámetros de cálculo y visualización. Para modificar los valores de "Parám." es preciso volver a calcular los datos. Pulse para ello la tecla de confirmación "OK".

## 5.6 Proyectos

Esta función le permite gestionar proyectos, así como visualizar y analizar escaneos registrados:

- Selecione la función "Proyectos" en el menú principal.
- Selecione el proyecto deseado. El proyecto activo se identifica mediante una esquina doblada en la parte superior derecha. En este proyecto activo se guardan los siguientes datos de escaneo.
- Selecione un escaneo. Se muestra el escaneo y se puede analizar de nuevo.

## 5.7 Transferencia de datos

### INDICACIÓN

Esta función no está disponible para la PS 1000-B.

Puede transferir los datos de escaneo directamente al monitor PSA 100 con el cable de transferencia de datos PSA 50/51 o bien transferirlos a un PC usando la tarjeta SD PSA 95 y el adaptador PSA 96.

Si desea transferir los datos de escaneo con la tarjeta de memoria SD, antes de extraer la tarjeta asegúrese de que la PS 1000 está apagada.

De lo contrario, podrían perderse datos.

es

## 5.8 Desmontaje de la empuñadura 5 6

La altura de construcción de la X-Scan PS 1000 puede dificultar el acceso de la herramienta a determinadas superficies de exploración. En estos casos puede desmontar la empuñadura para escanear dichas superficies.

Suelte los tornillos de la parte inferior de la herramienta y retire la empuñadura hacia arriba.

## 6 Ajustes

### 6.1 Puede realizar los siguientes ajustes:

- Luminosidad
- Volumen
- Fecha y hora
- Modos de energía
- Configuración del país

### INDICACIÓN

Pulse la tecla de función "Ayuda" para abrir el manual de instrucciones completo.

## 7 Reciclaje

### ADVERTENCIA

Una eliminación no reglamentaria del equipamiento puede tener las siguientes consecuencias:

Si se queman las piezas de plástico se generan gases tóxicos que pueden afectar a las personas.

Si las pilas están dañadas o se calientan en exceso pueden explotar y ocasionar intoxicaciones, incendios, causticaciones o contaminación del medio ambiente.

Si se realiza una evacuación imprudente, el equipo puede caer en manos de personas no autorizadas que hagan un uso inadecuado del mismo. Esto generaría el riesgo de provocar lesiones al usuario o a terceros, así como la contaminación del medio ambiente.



Las herramientas Hilti están fabricadas en su mayor parte con materiales reutilizables. La condición para dicha reutilización es una separación de materiales adecuada. En muchos países, Hilti ya dispone de un servicio de recogida de la herramienta usada. Póngase en contacto con el servicio de atención al cliente de Hilti o con su asesor de ventas.



Deseche las baterías conforme a la normativa nacional aplicable

## 8 Indicación FCC (válida en EE. UU.)

### 8.1 Indicación FCC (válida en EE. UU.)

-PRECAUCIÓN- Esta herramienta ha cumplido en las pruebas realizadas los valores límites que se estipulan en el apartado 15 de la normativa FCC para herramientas digitales de la clase B. Estos valores límites suponen una protección suficiente ante radiaciones por avería en instalaciones situadas en zonas habitadas. Las herramientas de este tipo generan y utilizan altas frecuencias y pueden por tanto emitir las. Por esta razón pueden provocar anomalías en la recepción radiofónica, si no se ha instalado y puesto en funcionamiento según las especificaciones correspondientes.

No puede garantizarse la ausencia total de anomalías en instalaciones específicas. En caso de que esta herramienta causara anomalías en la recepción radiofónica o televisiva (puede comprobarse mediante la conexión y desconexión de la herramienta), se ruega al usuario que subsane estas anomalías mediante las siguientes medidas:

- Volver a tender o cambiar de sitio la antena de recepción.
- Aumentar la distancia entre la herramienta y el receptor.
- Conectar la herramienta en la toma de corriente de un circuito eléctrico diferente al del receptor.
- Consulte a su proveedor o a un técnico de radio y televisión.

### INDICACIÓN

Los cambios o ampliaciones no autorizados expresamente por el organismo homologador pueden restringir el derecho del usuario a poner la herramienta en funcionamiento.

Esta herramienta está sujeta al apartado 15 de la normativa FCC. La puesta en servicio está sujeta a las dos condiciones siguientes:

1. La herramienta no causa anomalías.
2. La herramienta tolera anomalías que pueden generar un estado de funcionamiento no deseado.

### Para clientes de EE. UU.:

El uso de esta herramienta queda restringido a la policía federal, cuerpos de bomberos y de salvamento, institutos de investigación científica, empresas comerciales de minería, empresas de construcción y empresas privadas que trabajen en nombre de estos grupos. El uso por parte de cualquier otra persona o entidad distinta de las mencionadas anteriormente supondrá una violación del párrafo 301, Título 47, del Código de los Estados Unidos, y puede conllevar la imposición de sanciones legales severas al usuario.

### Requisitos de coordinación

1. El uso de cualquier sistema de procesamiento de imágenes UWB debe ser coordinado previamente por el FCC. El usuario debe respetar todas las limitaciones sobre el uso de la herramienta que se deriven de esta coordinación.
2. Los usuarios de herramientas de procesamiento de imágenes UWB deberán informar sobre las zonas donde va a utilizarse la herramienta a la Office of Engineering and Technology de la FCC, quien coordinará esta información junto con el Gobierno federal a través de la National Telecommunications and Information Administration (NTIA). La información facilitada por el usuario del sistema UWB deberá incluir el nombre, la dirección y otros datos de contacto relevantes del usuario, así como la zona geográfica donde va a utilizarse la herramienta, el número de identificación de la FCC y cualquier otra nomenclatura de la herramienta UWB. Esta información deberá remitirse a la siguiente dirección:  
Frequency Coordination Branch, OET  
Federal Communications Commission  
445 12th Street, SW  
Washington D.C., 20554  
ATTN: UWB Coordination
3. Los usuarios de sistemas UWB coordinados y autorizados pueden entregarlos a otros usuarios cualificados y utilizarlos en otros emplazamientos a condición de que el cambio de propiedad o emplazamiento sea coordinado por la FCC y siempre que se coordine con las operaciones autorizadas existentes.
4. El informe de coordinación NTIA/FCC deberá incluir cualesquiera limitaciones que sean necesarias en el marco de las operaciones cotidianas. Dichas limitaciones pueden establecer zonas operativas prohibidas o zonas situadas cerca de emisoras de radio, para las cuales existen requisitos de coordinación adicionales previos a la utilización de la herramienta UWB. En caso de ser necesaria una coordinación local adicional, se proporcionará un contacto para la misma. Notificación para la coordinación del radar de penetración de suelo (GPR) y registro del equipo. Nota: Este formulario va dirigido únicamente a los usuarios que utilicen la herramienta en los Estados Unidos. La no cumplimentación del formulario supone una violación de la ley federal.
  1. Fecha:
  2. Nombre de la empresa:
  3. Dirección:
  4. Información de contacto [nombre de contacto y número de teléfono]:
  5. Zona de operación [estado(s)]:
  6. Identificación de la herramienta: PS 1000 ID de FCC: SDL-PS 1000R01

7. Fecha de recepción de la herramienta:  
Mandar este formulario a la FCC, n.º de fax 202-418-1944, o por correo ordinario a  
Frequency Coordination Branch, OET

Federal Communications Commission  
445 12th Street, SW  
Washington D.C., 20554  
ATTN: UWB Coordination  
No mandar esta información a Hilti Corporation.

## 9 Indicación IC (válida en Canadá)

ES

### 9.1 Indicación IC (válida en Canadá)

Esta herramienta cumple los requisitos estipulados en la norma RSS-220 además de los requisitos generales (RSS-Gen) de IC.

1. La herramienta no causa anomalías.

2. La herramienta tolera anomalías que pueden generar un estado de funcionamiento no deseado.

#### **Para clientes de Canadá:**

Esta herramienta sólo podrá utilizarse cuando se dirija directamente hacia el suelo o la pared y esté en contacto con la superficie del suelo o la pared. Esta herramienta únicamente podrá ser utilizada por la policía federal, institutos de investigación científica, empresas comerciales de minería, empresas de construcción y cuerpos de bomberos y de salvamento.

## X-Scan PS 1000

**Antes de utilizar a ferramenta, por favor leia atentamente o manual de instruções.**

**Conserve o manual de instruções sempre junto da ferramenta.**

**Entregue a ferramenta a outras pessoas apenas juntamente com o manual de instruções.**

Índice	Página
1 Informações gerais	27
2 Descrição	28
3 Normas de segurança	28
4 Antes de iniciar a utilização	29
5 Utilização	30
6 Ajustes	33
7 Reciclagem	33
8 Declaração da FCC (apenas aplicável para os EUA)	34
9 Declaração da IC (apenas aplicável para o Canadá)	35

**1** Estes números referem-se a figuras. Estas encontram-se nas contracapas desdobráveis. Ao ler as instruções, mantenha as contracapas abertas.

### Scanner **1**

- ① Punho (amovível)
- ② Rodas livres
- ③ Tecla de interrupção
- ④ Tecla Start/Stop

### Teclas **2**

- ⑤ Teclas de função
- ⑥ Tecla Ligar/Desligar
- ⑦ Tecla basculante
- ⑧ Tecla de confirmação (OK)
- ⑨ Tecla Home

pt

## 1 Informações gerais

### 1.1 Indicações de perigo e seu significado

#### PERIGO

Indica perigo iminente que pode originar acidentes pessoais graves ou até mesmo fatais.

#### AVISO

Indica uma situação potencialmente perigosa que pode causar graves ferimentos pessoais, até mesmo fatais.

#### CUIDADO

Indica uma situação potencialmente perigosa que pode originar ferimentos ligeiros ou danos na ferramenta ou outros materiais.

#### NOTA

Indica instruções ou outras informações úteis.

### 1.2 Significado dos pictogramas e outras notas

#### Sinais de aviso



Perigo geral

#### Símbolos



Leia o manual de instruções antes de utilizar a ferramenta.

## 2 Descrição

### 2.1 Utilização

A PS 1000 X-Scan serve para a localização de objectos em estruturas de betão.

### 2.2 Limitações das áreas de intervenção

A ferramenta cumpre os requisitos de acordo com as normas ou documentos normativos indicados nos capítulos 8 e 9.

Antes da utilização de aparelhos de radar para pisos/paredes, verifique que na proximidade do local de

medição não se encontram sistemas ou instalações radioeléctricas sensíveis pertencentes a serviços de radiocomunicações (radar de voo, radiotelescópios, etc.). Estes sistemas/instalações poderiam ser operados por um serviço de radiocomunicações, que, de acordo com a autoridade nacional competente, está identificado como tal. Se sistemas/instalações correspondentes se encontrarem na proximidade do local de medição, entre em contacto com os operadores dos sistemas/instalações de modo a obter, antes do início da medição, um acordo sobre a utilização no local do aparelho de radar para pisos/paredes.

## 3 Normas de segurança

### 3.1 Normas gerais de segurança

**AVISO: Leia todas as normas de segurança e instruções.** O não cumprimento das normas de segurança e instruções pode resultar em choque eléctrico, incêndio e/ou lesões graves. **Guarde bem todas as normas de segurança e instruções para futura referência.**



- a) **A ferramenta não pode ser utilizada, sem autorização prévia, nas proximidades de instalações militares, aeroportos, assim como de instalações radioastronómicas.**
- b) **Mantenha as crianças afastadas. Mantenha outras pessoas afastadas do seu local de trabalho.**
- c) **Verifique o campo indicador depois de ligar a ferramenta.** O campo indicador deverá exibir o logótipo da Hilti e o nome da ferramenta. Em seguida, surge no campo indicador uma cláusula de desresponsabilização que tem de aceitar para aceder ao menu principal com o projecto actual.
- d) **Esta ferramenta não pode ser usada na proximidade de pessoas com "pacemaker".**
- e) **Esta ferramenta não pode ser utilizada próxima de grávidas.**
- f) Condições de medição muito instáveis podem levar a erros de medição.
- g) **Não use a ferramenta na proximidade de equipamentos médicos.**
- h) **Não efectue perfurações em locais onde a ferramenta tenha detectado objectos. Considere o diâmetro de perfuração e inclua sempre um factor de segurança adequado.**
- i) **Respeite sempre as mensagens de aviso no campo indicador.**
- j) **Devido ao princípio utilizado, os resultados podem ser prejudicados por determinadas condições ambientais. Destas fazem parte, por exemplo, a proximidade de aparelhos que geram campos magnéticos e electromagnéticos fortes, hu-**

**midade, materiais de construção que contém metal, materiais isoladores laminados, estruturas em múltiplas camadas, materiais base com cavidades, assim como papéis de parede ou tijoleira condutora. Por esta razão, antes de perfurar, serrar ou cortar em materiais base, tenha também em atenção outras fontes de informação (por exemplo, planos de construção).**

- k) **Considere as influências ambientais. Não utilize a ferramenta onde exista risco de incêndio ou de explosão.**
- l) **Mantenha o campo indicador legível (não toque, por exemplo, com os dedos no campo indicador; não deixe que o campo indicador fique sujo).**
- m) **Nunca use uma ferramenta avariada.** Contacte um Centro de Assistência Técnica Hilti.
- n) **Mantenha a parte inferior do scanner e as rodas limpas, uma vez que isto pode ter influência na precisão de medição. Se necessário, limpe a superfície de detecção com água ou álcool.**
- o) **Verifique os ajustes da ferramenta antes de a utilizar.**
- p) **Transporte a ferramenta apenas com a bateria retirada.**
- q) **Transporte e acondicione bem a ferramenta. A temperatura de armazenamento situa-se entre -25 °C e +63 °C (-13 °F a +145 °F).**
- r) **Quando existem consideráveis diferenças de temperatura, permita que a ferramenta se adapte à temperatura ambiente antes de iniciar a sua utilização.**
- s) **Antes de trabalhar com acessórios, certifique-se de que estão correctamente montados.**

### 3.2 Organização do local de trabalho

- a) **Evite posições perigosas se trabalhar sobre uma escada. Mantenha uma posição de trabalho segura e equilibrada.**
- b) **Não exceda os limites definidos para este aparelho.**
- c) **Respeite as directrizes para a prevenção de acidentes que vigoram no país de utilização.**

- d) **Verifique as rodas periodicamente e, especialmente, se as capas para rodas estão colocadas.** Capas para rodas em falta podem manifestar-se como erros de medição do comprimento do trajecto. O comprimento correcto do trajecto pode ser verificado com ajuda da grelha de referência.
- e) **Verifique predefinições e parâmetros configurados antes de cada medição.**
- f) **Fixe bem a grelha de referência e marque os vértices através dos pontos de vértice predefinidos, se necessário na superfície de betão.**
- g) **Ao efectuar leituras, trabalhe sempre com a alça para a mão.**

### 3.3 Compatibilidade electromagnética

A ferramenta cumpre os requisitos de acordo com as normas ou documentos normativos indicados no capítulo Declaração de conformidade. Antes da utilização de aparelhos de radar para pisos/paredes, verifique que na proximidade do local de medição não se encontram sistemas ou instalações radioeléctricos sensíveis pertencentes a serviços de radiocomunicações (radar de voo, radiotelescópios, etc.). Estes sistemas/instalações poderiam ser operados por um serviço de radiocomunicações, que, de acordo com a autoridade nacional competente, está identificado como tal. Se sistemas/instalações correspondentes se encontrarem na proximidade do local de medição, entre em contacto com os operadores dos sistemas/instalações de modo a obter, antes do início da medição, um acordo sobre a utilização no local do aparelho de radar para pisos/paredes.

### 3.4 Medidas gerais de segurança

- a) **Verifique a ferramenta antes de a utilizar. Se constatar danos, mande reparar a ferramenta num Centro de Assistência Técnica Hilti.**
- b) **Mantenha a ferramenta sempre limpa e seca.**
- c) **Não aplique quaisquer autocolantes ou etiquetas na área do sensor, na parte traseira da ferramenta.** Etiquetas de metal, em particular, influenciam os resultados de medição.
- d) **Se a ferramenta sofreu uma queda ou foi submetida a qualquer outra força mecânica, deverá verificar a sua precisão.**

- e) **O X-Scan PS 1000 em conjunto com a extensão PSA 70 apenas pode ser utilizado em trabalhos de aplicação no solo.** O sistema não está concebido para trabalhos de leitura em tectos e paredes.
- f) **Embora a ferramenta tenha sido concebida para trabalhar sob árduas condições nas obras, esta deve ser manuseada com cuidado, à semelhança do que acontece com quaisquer outros aparelhos de medição.**
- g) **Embora na sua concepção se tenha prevenido a entrada de humidade, a ferramenta deve ser limpa antes de ser guardada na mala de transporte.**
- h) **Não é permitido abrir ou modificar o equipamento.**
- i) **Verifique a precisão da ferramenta antes de efectuar medições/aplicações.**

### 3.5 Utilização de ferramentas de baterias recarregáveis

- a) **Mantenha a bateria afastada do alcance das crianças.**
- b) **Tire as pilhas da ferramenta se não a utilizar por um longo período de tempo.** Em caso de armazenamento prolongado, as pilhas podem sofrer corrosão e descarregar-se por si próprias.
- c) **Não exponha a bateria a temperaturas excessivas e ao fogo.** A bateria pode explodir ou libertar substâncias tóxicas.
- d) **Baterias que sofreram danos mecânicos não devem voltar a ser utilizadas.**
- e) **Utilizações inadequadas podem provocar derrame do líquido da bateria. Evite o contacto com este líquido. No caso de contacto accidental, enxágue imediatamente com água. Em caso de contacto do líquido com os olhos, lave-os abundantemente com água e procure auxílio médico.** O líquido derramado pode provocar irritações ou queimaduras da pele.
- f) **Apenas deverá carregar as baterias em carregadores recomendados pelo fabricante.** Num carregador adequado para um determinado tipo de bateria existe perigo de incêndio se for utilizado para outras baterias.
- g) **Observe as regras específicas sobre transporte, armazenagem e utilização de baterias de iões de lítio.**

## 4 Antes de iniciar a utilização



### 4.1 Inserir a bateria e ligar a ferramenta

1. Carregue a bateria PSA 81 completamente (consultar o manual de instruções do módulo de rede PUA 81 e da bateria PSA 81).
2. Insira a bateria carregada.

3. Insira na ferramenta o cartão de memória SD PSA 95 fornecido juntamente. (Esta função não se encontra disponível na PS 1000-B.)

**NOTA** Insira o cartão de memória SD na ferramenta apenas quando esta estiver desligada.

**NOTA** Se estiver inserido um cartão de memória SD, os dados de exploração são aí registados. Se não for inserido um cartão de memória, os dados de exploração são registados na memória interna.

4. Ligue a ferramenta com a tecla Ligar/Desligar.  
Fora da temperatura de funcionamento é apresentada a mensagem de erro n.º 00012 e a ferramenta desliga-se automaticamente. Deixe arrefecer ou aquecer a ferramenta e ligue-a em seguida.
5. Para operar a ferramenta, aceite a cláusula de desresponsabilização que surge no ecrã.
6. Para desligar, mantenha a tecla Ligar/Desligar premida durante 3 segundos.

pt

## 4.2 Ajustes

No caso de ferramentas totalmente novas, é primeiro solicitado a seleccionar os ajustes específicos do país em questão.

1. Através da tecla basculante, seleccione o idioma pretendido e confirme a sua escolha através da tecla de confirmação "OK".
2. Em seguida, seleccione através da tecla basculante e da tecla de confirmação "OK" os outros ajustes.
3. Confirme os ajustes efectuados através da tecla de função "OK".

**NOTA** Através da tecla de função "Skip" também pode adiar estes ajustes para a próxima vez que ligar a ferramenta.

## 5 Utilização



### 5.1 Visualizar o manual de instruções

1. Prima a tecla Home durante 5 segundos.  
O manual de instruções é-lhe apresentado sensível ao contexto no campo indicador. Em seguida, pode navegar em todo o manual de instruções.
2. Também pode visualizar o manual de instruções por intermédio do menu de ajustes, através da tecla de função "Help".
3. Para fechar o manual de instruções, prima a tecla de função "Back".

### 5.2 Funções básicas

Através das teclas de função, pode seleccionar as funções disponíveis.

Através da tecla basculante, pode deslocar o foco, alterar valores dos parâmetros ou, consoante o ajuste, deslocar o retículo, alterar a espessura/profundidade da camada, etc.

Através da tecla de confirmação "OK", pode seleccionar o elemento focado ou iniciar o processamento de dados.

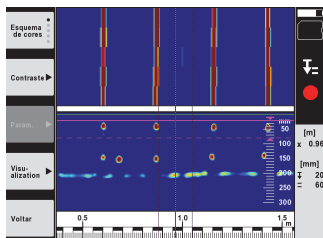
### 5.3 Detecção Quickscan (Quickscan Detection)

Localizar e exibir directamente objectos em estruturas de betão. Através das vistas de planta e em corte poderá visualizar e marcar directamente a posição de objectos que se encontram na perpendicular ao sentido de exploração.

1. Ligue a ferramenta ou navegue com a tecla Home até ao menu principal.
2. Seleccione a função "Quickscan Detection".
3. Segure o Scanner sobre a superfície a examinar.
4. Inicie a medição com a tecla Start/Stop.  
Soa um sinal acústico breve que assinala o início da medição e no campo indicador surge um ponto de registo vermelho.



- Para localizar os objectos, desloque o Scanner sobre a superfície a explorar para a esquerda ou direita (no mínimo, 32 cm/13 pol.) e o mesmo trajecto de medição de volta.  
 Leia a posição do objecto com ajuda da linha central no campo indicador e marque-a no entalhe de marcação superior entre as rodas. Em alternativa, pode utilizar as linhas tracejadas para, ao longo do respectivo bordo lateral da carcaça, assinalar a posição do objecto.  
 Se o movimento de exploração tiver atingido a velocidade de exploração máxima permitida, será emitido um aviso acústico e visual. Se o movimento de exploração for muito rápido, a medição é interrompida.



- Através das teclas de função "Color scheme", "Contrast" e "Param.", pode ajustar os parâmetros de visualização e cálculo.  
**NOTA** Deve ajustar os valores para "Param." antes da medição (consultar o manual de instruções na ferramenta).
- Através da tecla basculante, pode ajustar a profundidade/espessura da camada consoante a posição do objecto.
- Termine a medição com a tecla Start/Stop.  
 Um sinal acústico breve duplo assinala que a medição foi terminada.

#### 5.4 Registo Quickscan (Quickscan Recording)

##### NOTA

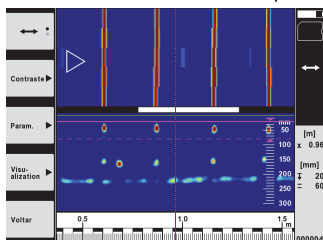
Esta função não se encontra disponível para a PS 1000-B.

Registrar um trajecto de medição mais longo em estruturas de betão. Através das vistas de planta e em corte poderá, depois de concluído o registo, visualizar objectos que se encontram na perpendicular ao sentido de exploração.

- No menu principal, seleccione a função "Quickscan Recording".
- Ajuste o sentido de exploração.
- Segure o Scanner sobre a superfície a examinar.
- Inicie a medição com a tecla Start/Stop.  
 Soa um sinal acústico breve que assinala o início da medição e no campo indicador surge um ponto de registo vermelho. Para obter dados que possam ser processados, explore um comprimento mínimo de 32 cm (13 pol.). A barra de progresso vermelha fica preta quando for alcançado o comprimento mínimo. O comprimento de exploração máximo é de 10 m (30 pés).
- Desloque o Scanner no sentido que ajustou anteriormente.  
 Se o movimento de exploração tiver atingido a velocidade de exploração máxima permitida, será emitido um aviso acústico e visual. Se o movimento de exploração for muito rápido, a medição é interrompida e a exploração não é guardada.

Não altere o sentido de exploração. Se deslocar o Scanner mais de 16 cm (7 pol.) no outro sentido, a medição é automaticamente interrompida.

- Termine a medição com a tecla Start/Stop.  
 Um sinal acústico breve duplo assinala que a medição foi terminada.



7. Verifique a medição através da função "Preview last scan". Ajuste o modo de controlo da tecla basculante através da tecla de função em cima à esquerda. Através da tecla basculante, pode ajustar a profundidade/espessura da camada consoante a posição do objecto.

**NOTA** Através das teclas de função "Contrast", "Param." e "Visualization", pode alterar os parâmetros de visualização e cálculo. Se alterar os valores em "Param.", os dados têm de ser calculados de novo. Para o efeito, prima a tecla de confirmação "OK".

## 5.5 Imagescan 4

Para uma representação bidimensional de objectos em estruturas de betão. Os objectos são visualizados em vista de planta e em corte.

1. Execute uma detecção Quickscan para avaliar a orientação dos objectos (consultar o Cap. 5.3).
2. Coloque a grelha de referência na ortogonal em relação à posição do objecto sobre a superfície a examinar e fixe-a com fita adesiva.

**NOTA** As distâncias indicadas no campo indicador do Scanner só coincidem com os dados de distância da grelha de referência se a grelha de referência tiver sido colada correctamente esticada.

3. No menu principal, seleccione a função "Imagescan".
4. Seleccione a dimensão da grelha (só possível na PS 1000) e o ponto de partida.
5. Segure, de acordo com a grelha e o ponto de partida, o Scanner sobre a superfície a examinar.
6. Inicie a medição com a tecla Start/Stop.

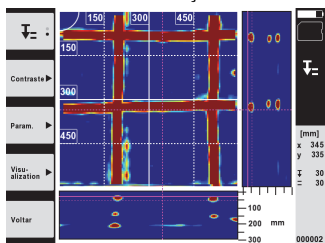
Soa um sinal acústico breve que assinala o início da medição e no campo indicador surge um ponto de registo vermelho. Um sinal acústico duplo assinala o fim do trajecto.

A medição termina automaticamente no fim do respectivo trajecto de medição.

7. Desloque, de acordo com a grelha predefinida, o Scanner sobre a superfície a examinar. Meça todos os trajectos. Se o movimento de exploração tiver atingido a velocidade de exploração máxima permitida, será emitido um aviso acústico e visual. Se o movimento de exploração for muito rápido, a medição é interrompida e o trajecto de medição tem de ser repetido.

O progresso da medição é indicado através de uma barra. A barra de progresso vermelha fica preta quando for alcançado o comprimento mínimo.

8. Para rejeitar o último trajecto medido, prima a tecla de interrupção. Depois disso, pode iniciar uma nova medição.
9. Depois da exploração do último trajecto, o resultado da medição é imediatamente apresentado e poderá verificar e analisar a medição.



10. Através das teclas de função "Contrast", "Param." e "Visualization", pode alterar os parâmetros de visualização e cálculo. Se alterar os valores em "Param.", os dados têm de ser calculados de novo. Para o efeito, prima a tecla de confirmação "OK".

## 5.6 Projectos

Com esta função, pode gerir projectos, visualizar e analisar explorações registadas:

1. No menu principal, seleccione a função "Projects".
2. Seleccione o projecto pretendido. O projecto activo pode ser reconhecido pelo canto superior direito dobrado. Os dados de exploração seguintes são guardados neste projecto activo.
3. Seleccione a exploração pretendida. A exploração é exibida e pode ser reanalisada.

## 5.7 Transferência de dados

### NOTA

Esta função não se encontra disponível para a PS 1000-B.

Pode transferir os dados de exploração através do cabo de transferência de dados PSA 50/51 para o monitor PSA 100 ou através do cartão de memória SD PSA 95 e do adaptador PSA 96 directamente para um PC.

Se transferir os dados de exploração com o cartão de memória SD, certifique-se primeiro de que a PS 1000 está desligada antes de retirar o cartão.

Caso contrário, pode ocorrer perda de dados.

## 5.8 Desmontar o punho 5 6

Circunstâncias da obra podem impedir que, devida à altura total grande do aparelho, possa colocar o X-Scan PS 1000 sobre a superfície de exploração. Para, apesar disso, poder explorar estas superfícies, poderá retirar o punho.

Solte os parafusos no lado inferior da ferramenta e separe o punho para cima.

## 6 Ajustes

### 6.1 Pode realizar os seguintes ajustes:

- Luminosidade
- Volume
- Data/Hora
- Modos de alimentação
- Configurações nacionais

### NOTA

Prima a tecla de função "Help" para abrir o manual de instruções completo.

## 7 Reciclagem

### AVISO

A reciclagem incorrecta do equipamento pode ter graves consequências:

a combustão de componentes plásticos pode gerar fumos tóxicos que representam um perigo para a saúde.

Se danificadas ou expostas a temperaturas muito elevadas, as pilhas/baterias podem explodir, originando queimaduras por ácido, intoxicação e poluição ambiental.

Uma reciclagem incorrecta (ou ausência desta) permite que pessoas não autorizadas/habilitadas utilizem o equipamento para fins diferentes daqueles para os quais foi concebido. Consequentemente, podem ferir-se a si próprias ou a terceiros ou causar poluição ambiental.



As ferramentas Hilti são, em grande parte, fabricadas com materiais recicláveis. Um pré-requisito para a reciclagem é que esses materiais sejam devidamente separados. A Hilti já iniciou em muitos países a recolha da sua ferramenta usada para fins de reaproveitamento. Para mais informações dirija-se ao Serviço de Clientes Hilti local ou ao vendedor.



Recicle as baterias de acordo com as regulamentações nacionais em vigor

## 8 Declaração da FCC (apenas aplicável para os EUA)

### 8.1 Declaração da FCC (apenas aplicável para os EUA)

-CUIDADO- Esta ferramenta foi testada e está em conformidade com os limites para um dispositivo digital da Classe B, de acordo com a Parte 15 das regras da FCC. Estas regras foram concebidas para proporcionar uma protecção razoável contra interferência nociva numa instalação residencial. Esta ferramenta gera, utiliza e emite energia de frequência de rádio e, se não for instalada e utilizada de acordo com as instruções, pode causar interferência nociva a comunicações de rádio.

No entanto, não existe qualquer garantia de que não ocorrerá interferência numa determinada instalação. Se esta ferramenta causar interferências à recepção de rádio ou de televisão, o que pode ser determinado desligando e voltando a ligar a ferramenta, recomenda-se tentar corrigir a interferência através de uma ou mais das seguintes medidas:

- Altere a orientação da antena de recepção.
- Aumente a distância entre a ferramenta e o receptor.
- Ligue a ferramenta a uma tomada diferente da utilizada pelo receptor.
- Para ajuda, consulte o agente comercial ou um técnico com experiência de rádio e televisão.

#### NOTA

O direito de o utilizador poder operar a ferramenta pode extinguir-se devido a alterações que não sejam expressamente autorizadas pela autoridade de licenciamento.

Esta ferramenta cumpre o estipulado na Parte 15 das regras da FCC. A utilização da ferramenta depende das seguintes condições:

1. A ferramenta não causa interferências nocivas.
2. A ferramenta tem de tolerar todo o tipo de interferências recebidas que possam causar um funcionamento indesejado.

#### Para clientes nos EUA

Esta ferramenta só pode ser utilizada por colaboradores de autoridades administrativas, bombeiro e serviços de socorro, centros de investigação científica, empresas de exploração mineira, empresas construtoras e empresas privadas que trabalhem para os grupos acima mencionados. A utilização da ferramenta por quaisquer outros grupos é uma infracção contra a secção 301 do art.º 47 do Código dos EUA, podendo ser punida com elevadas sanções legais.

#### Condições de coordenação

1. Sistemas de imagem de banda ultralarga têm de ser verificados pela autoridade FCC, antes que o sistema possa ser operado. O utilizador deve respeitar as restrições de utilização que resultem da verificação.

2. Os utilizadores de sistemas de imagem de banda ultralarga devem comunicar detalhes das zonas de utilização ao Office of Engineering and Technology da FCC, que coordenará as informações disponibilizadas com o Governo através da National Telecommunications and Information Administration. As informações, que são disponibilizadas pelo utilizador do sistema de banda ultralarga, devem incluir o nome, a morada e outras informações de contacto relevantes do utilizador, a área de utilização pretendida e o número de identificação FCC e outras indicações técnicas do sistema de imagem de banda ultralarga. Estas informações devem ser enviadas para a seguinte morada:

Frequency Coordination Branch, OET  
Federal Communications Commission  
445 12th Street, SW  
Washington, D.C. 20554  
ATTN: UWB Coordination

3. Utilizadores de sistemas de imagem de banda ultralarga autorizados e coordenados podem entregar os mesmos a outros utilizadores qualificados e levá-los para outros locais, quando a mudança de utilizador e de local é comunicada à autoridade FCC e for estabelecido um acordo sobre as aplicações autorizadas existentes.

4. O relatório NTIA/FCC deve mencionar todas as restrições à utilização do sistema. Estas restrições podem mencionar locais onde a ferramenta não deve ser operada ou locais, que se encontram na proximidade de postos emissores de rádio autorizados, para os quais são necessários outros acordos antes da utilização do sistema de imagem de banda ultralarga. Caso sejam necessários outros acordos locais, será nomeado um contacto local para o efeito. Ground Penetrating Radar Coordination Notice And Equipment Registration.

-Nota- Este formulário só se aplica a utilizadores residentes nos EUA. A sua omissão é uma infracção contra a legislação federal.

1. Data:
2. Nome da empresa:
3. Morada:
4. Dados de contacto [Nome e telefone]:
5. Área de intervenção [Estado(s)]:
6. Dados da ferramenta: PS 1000  
FCC-ID: SDL-PS 1000R01
7. Data de recepção da ferramenta:  
Envie este formulário por fax para o n.º da FCC: 202-418-1944, ou para:  
Frequency Coordination Branch, OET  
Federal Communications Commission  
445 12th Street, SW  
Washington D.C., 20554  
ATTN: UWB Coordination

Não envie estas informações para a Hilti.

## 9 Declaração da IC (apenas aplicável para o Canadá)

### 9.1 Declaração da IC (apenas aplicável para o Canadá)

Esta ferramenta cumpre os requisitos colocados em RSS-220 (conjuntamente com RSS-Gen) da IC.

1. A ferramenta não causa interferências nocivas.

2. A ferramenta tem de tolerar todo o tipo de interferências recebidas que possam causar um funcionamento indesejado.

#### **Para clientes no Canadá:**

Esta ferramenta só pode ser operada se estiver apontada ao chão ou à parede e em contacto com a superfície do chão ou parede. Esta ferramenta só pode ser operada por autoridades administrativas, centros de investigação científica, empresas de exploração mineira, empresas construtoras e bombeiro ou serviços de socorro.

pt



Hilti Corporation

LI-9494 Schaan

Tel.: +423 / 234 21 11

Fax: +423 / 234 29 65

[www.hilti.com](http://www.hilti.com)

Hilti = registered trademark of Hilti Corp., Schaan

W 3963 | 0114 | 00-Pos. 2 | 1

Printed in Germany © 2014

Right of technical and programme changes reserved S. E. & O.

2004875 / A5



2004875