

HILTI

HTE-M16/33

Operating instructions

en

Mode d'emploi

fr

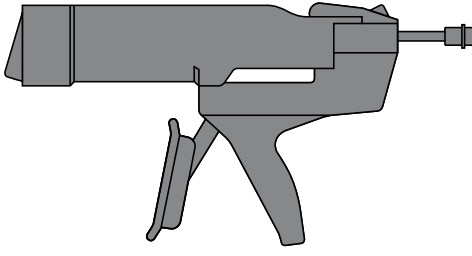
Manual de instrucciones

es

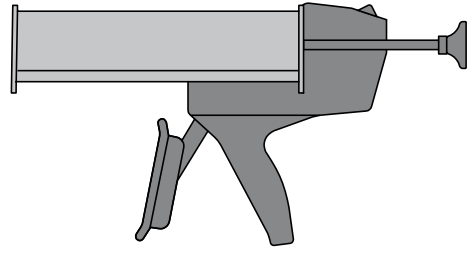
Manual de instruções

pt

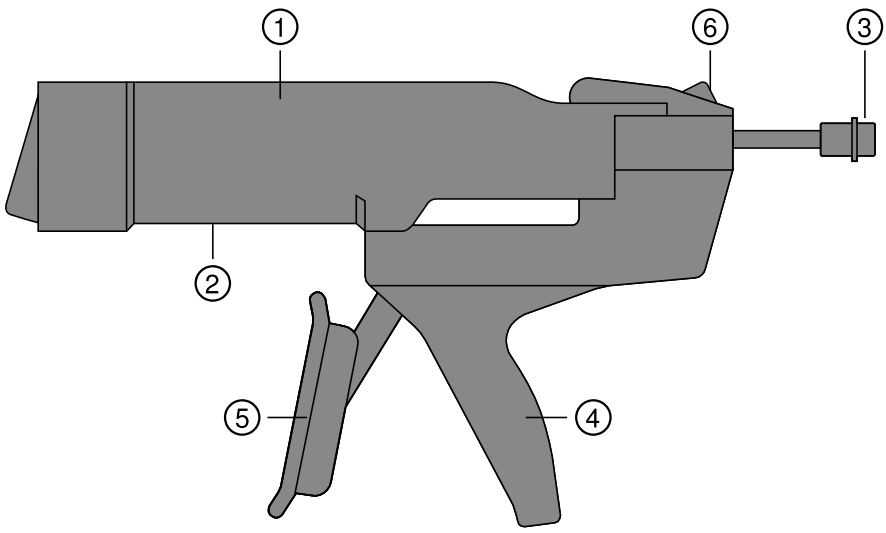
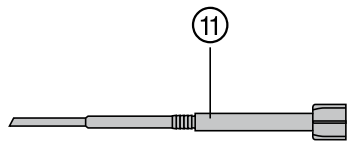
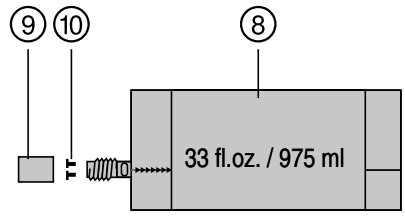
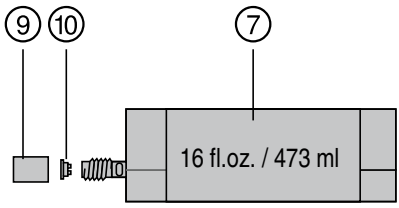
1



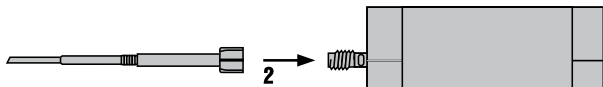
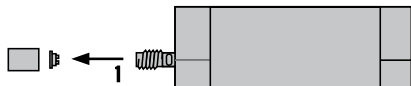
Hilti HTE-M 16



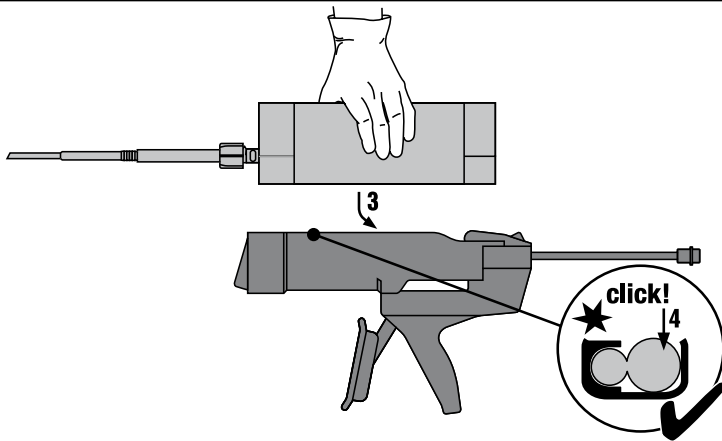
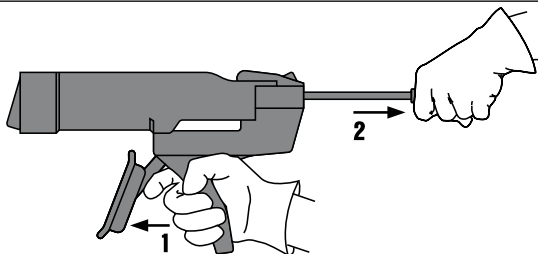
Hilti HTE-M 33



2



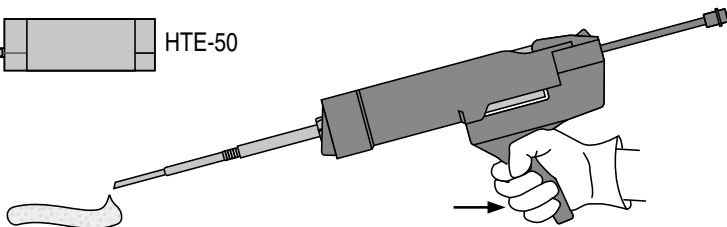
3



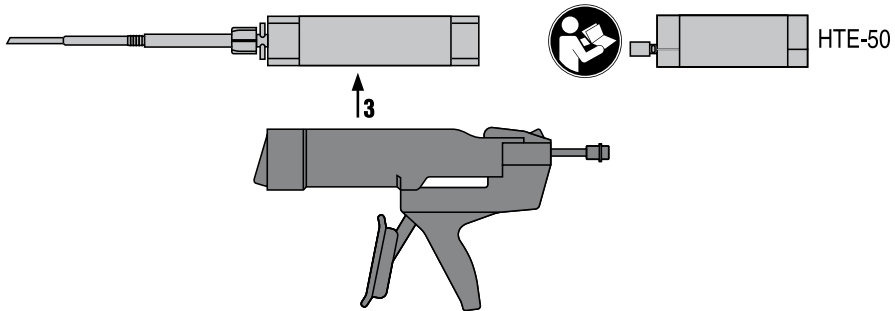
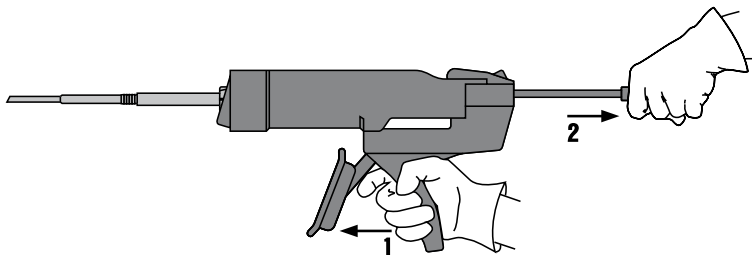
4



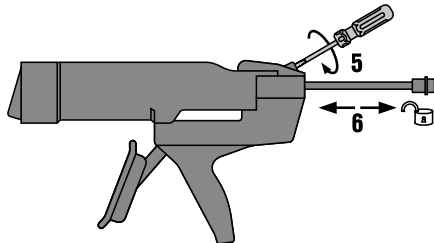
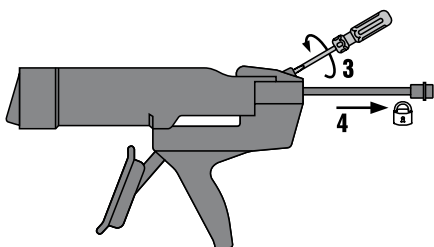
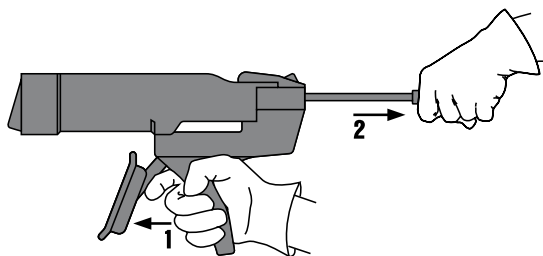
HTE-50



5



6



ORIGINAL OPERATING INSTRUCTIONS

Hilti HTE-M 16/ Hilti HTE-M 33 dispenser

It is essential that the operating instructions are read before the tool is operated for the first time.

Always keep these operating instructions together with the tool.

Ensure that the operating instructions are with the tool when it is given to other persons.

Contents	Page
1 General information	1
2 Description	2
3 Safety instructions	2
4 Operation	3
5 Care and maintenance	3
6 Troubleshooting	4
7 Disposal	4
8 Manufacturer's warranty	5

1 These numbers refer to the corresponding illustrations. The illustrations can be found on the fold-out cover

pages. Keep these pages open while studying the operating instructions.

In these operating instructions, the designation "the tool" always refers to the Hilti HTE-M 16 or Hilti HTE-M 33 manual dispenser.

Operating controls and parts **1**

- 1 Cartridge holder
- 2 Cartridge insertion / removal opening
- 3 Parallel piston rods with pistons and plastic grip for pulling the rods back
- 4 Grip
- 5 Trigger for controlling the dispensing operation and releasing the piston rods
- 6 Piston advance adjustment screw

Consumables

- 7 Hilti HTE-50, 2-component cartridge, contents: 473 ml /16 fl.oz.
- 8 Hilti HTE-50, 2-component cartridge, contents: 975 ml /33 fl.oz.
- 9 Closing cap
- 10 Closing plug
- 11 HTE-M mixing nozzle for use with the Hilti HTE-50

1 General information

1.1 Safety notices and their meaning

DANGER

Draws attention to imminent danger that will lead to serious bodily injury or fatality.

WARNING

Draws attention to a potentially dangerous situation that could lead to serious personal injury or fatality.

CAUTION

Draws attention to a potentially dangerous situation that could lead to slight personal injury or damage to the equipment or other property.

NOTE

Draws attention to an instruction or other useful information.

1.2 Explanation of the pictograms and other information

Warning signs



General warning

Obligation signs



Wear protective clothing



Wear eye protection.



Wear protective gloves.

Symbols



Read the operating instructions before use.



Return waste material for recycling.



National waste material recycling system

en

2 Description

2.1 Use of the product as directed

The Hilti HTE-M 16 is designed to be used to dispense the contents of Hilti HTE-50, 2-component cartridges with a volume of 473 ml / 16 fl.oz.

The Hilti HTE-M 33 is designed to be used to dispense the contents of Hilti HTE-50, 2-component cartridges with a volume of 975 ml / 33 fl.oz.

The tool is designed for professional use and may be operated, serviced and maintained only by trained, au-

thorized personnel. This personnel must be informed of any special hazards that may be encountered.

Modification of the appliance or tampering with its parts is not permissible.

Observe the information printed in the operating instructions concerning operation, care and maintenance.

To avoid the risk of injury, use only genuine Hilti tools and accessories.

Never point the tool toward yourself or other persons.

The appliance and its ancillary equipment may present hazards when used incorrectly by untrained personnel or when used not as directed.

3 Safety instructions

WARNING! Read all instructions! Follow these safety instructions!

3.1 Work area safety

- Ensure that the workplace is well ventilated.
- Ensure that the workplace is well lit.
- Keep work area clean and well lit. Cluttered or dark areas invite accidents.
- Keep children and other persons away from the area while the tool or appliance is in use. Distractions can cause you to lose control.

3.2 Personal safety

- Always hold the machine securely with both hands on the grips provided. Keep the grips dry, clean and free from oil and grease.
- Wear personal protective equipment including protective glasses, protective gloves and overalls.
- Avoid accidental starting.
- Never point the tool toward yourself or other persons.

- Always concentrate on your work. Think carefully about what you are doing and do not use the tool if you are unable to concentrate.

3.3 Power tool use and care

- The tool may be operated only when in faultless condition.
- Use only cartridges of a type approved for use with the tool.
- Do not use damaged cartridges.
- The tool must not be under pressure when changing the cartridge or the mixing nozzle.
- The cartridge holder and pistons must be clean and free from foreign matter.
- Do not attempt to open or disassemble the tool. Repairs may be carried out only by Hilti Service.

3.4 Personal protective equipment

- Wear personal protective equipment while the tool is in use: closely fitting protective glasses or face shield, protective gloves and protective clothing. Wearing personal protective equipment reduces the risk of injury.
- Persons in the immediate vicinity must also wear personal protective equipment while the tool is in use.

4 Operation

CAUTION

Observe the information on the safety data sheets for the product, on the packaging and in the instructions for use of the cartridge before using the tool.

4.1 Preparing a cartridge for use 2

CAUTION

Check the expiry date on the cartridge label. Use of the product after the expiry date is not permissible.

DANGER

Check the cartridge for damage. Never use damaged cartridges.

CAUTION

When in use, the temperature of the cartridge must not fall below the minimum temperature given in the applicable instructions for use of the product.

1. Remove the cap and the plug from the cartridge.
2. Screw the HTE-M mixing nozzle fully onto the thread on the cartridge. A new mixing nozzle should be used with each new cartridge.

4.2 Inserting the cartridge in the tool 3

1. Release the trigger or, respectively, push it forward to release the locking mechanism.
2. Pull the piston rods all the way back.
3. Grip the cartridge by the large cylinder and insert it into the cartridge holder.
4. Push the cartridge into the right position in alignment with the pistons, applying slight pressure until it engages with a click.

4.3 Dispensing 4

DANGER

Never point the tool toward yourself or other persons.

CAUTION

The initial quantity dispensed by the first strokes of the dispenser is unsuitable for use. The quantity to be discarded is product specific and is indicated in the applicable instructions for use. The initial quantity must also be discarded after changing a mixer.

5 Care and maintenance

CAUTION

In order to prevent inadvertent operation, remove the cartridge from the tool before beginning cleaning.

5.1 Care of the tool

CAUTION

Keep the tool, especially its grip surfaces, clean and free from oil and grease.

WARNING

Begin dispensing mortar only after the mixer has been screwed on.

CAUTION

The tool / cartridge must not be under pressure when changing the mixing nozzle.

NOTE

Mortar in the mixing nozzle hardens if dispensing is interrupted for a long period. Screw on a new mixing nozzle when you wish to continue dispensing from the cartridge.

1. To begin dispensing the mortar, pull the trigger several times fully toward the grip.
2. If you wish to interrupt or end the dispensing operation, release the trigger and push it forward. The pressure in the cartridge will then be released, thereby minimizing the tendency for mortar to drip out.

NOTE Please refer to the instructions for the cartridge for further information about use of the mortar.

4.4 Removing / changing the cartridge 5

NOTE

Store partly-used cartridges with a mixing nozzle screwed on. Partly-used cartridges have a limited shelf life. Please refer to the instructions for use of the product.

1. Release the trigger or, respectively, push it forward to release the locking mechanism.
2. Pull the piston rods all the way back.
3. Grip the cartridge at the mixing nozzle and lift it out of the tool.

4.5 Disposing of cartridges

CAUTION

Dispose of empty cartridges in accordance with the official national regulations.

For information about disposing of full, partly-used and completely empty cartridges, please refer to the instructions for use of the product or the applicable safety data sheets.

Clean the outside of the tool at regular intervals with a slightly damp cloth. Do not use a spray, steam pressure cleaning equipment or running water for cleaning. Never dip or soak the tool or its parts in solvents.

Oil the piston rods at regular intervals. Mortar adhering to the tool must be cleaned off with a cloth before it hardens. Hardened mortar can be removed only by

mechanical means. Take care to ensure that the tool is not damaged in the process.

5.2 Adjusting piston advance **6**

NOTE

The tool can be adjusted to compensate for excessive play at the trigger and to regain the full piston stroke. Adjustment may be necessary if the quantity of mortar dispensed with each stroke has decreased due to wear.

WARNING

Remove the cartridge from the tool before making adjustments. Adjustments are not permissible so long as a cartridge is present in the tool.

1. Release the trigger or, respectively, push it forward to release the locking mechanism.
2. Pull the piston rods into the midway position.
3. Turn the adjusting screw counterclockwise until the piston rods cannot be pulled back any further.
4. Then turn the adjusting screw clockwise until the position is reached at which the piston rods can be pushed forward as well as back.

5.3 Checking the tool after care and maintenance

After carrying out care and maintenance, check that moving parts function faultlessly, that no parts are sticking, broken or damaged and that the tool operates faultlessly.

6 Troubleshooting

Fault	Possible cause	Remedy
The tool doesn't work in single-stroke mode.	The cartridge has been inserted incorrectly.	Insert the cartridge correctly. See section: 4.1 Preparing a cartridge for use 2 See section: 4.2 Inserting the cartridge in the tool 3
The trigger cannot be pressed.	The cartridge is not inserted correctly.	Insert the cartridge correctly. See section: 4.2 Inserting the cartridge in the tool 3
The trigger can no longer be pressed after a pause between use.	The mortar has hardened in the mixing nozzle.	Unscrew and remove the mixing nozzle. Screw on a new mixing nozzle.
Trigger action is stiff.	The mortar is too cold.	Observe the permissible application temperature range.
	Flow resistance is too high when a mixing nozzle extension is used.	Shorten the mixing nozzle extension or use a larger diameter.
Inadequate flow of mortar from the mixing nozzle.	The mortar is too cold.	Observe the permissible application temperature range.
	The cartridge is empty.	Insert a new cartridge.
	The piston rods slip.	Use a new tool. Adjust the piston advance movement. See section: 5.2 Adjusting piston advance 6
The cartridge can't be inserted in the tool.	The piston rods are not pulled back fully.	Pull the piston rods back fully.

7 Disposal

CAUTION

Improper disposal of the equipment may have serious consequences: The burning of plastic components generates toxic fumes which may present a health hazard. Careless disposal may permit unauthorized and improper use of the equipment. This may result in serious personal injury, injury to third parties and pollution of the environment.



Most of the materials from which Hilti tools or appliances are manufactured can be recycled. The materials must be correctly separated before they can be recycled. In many countries, Hilti has already made arrangements for taking back old tools and appliances for recycling. Ask Hilti customer service or your Hilti representative for further information.

8 Manufacturer's warranty

Hilti warrants that the tool supplied is free of defects in material and workmanship. This warranty is valid so long as the tool is operated and handled correctly, cleaned and serviced properly and in accordance with the Hilti Operating Instructions, and the technical system is maintained. This means that only original Hilti consumables, components and spare parts may be used in the tool.

Additional claims are excluded, unless stringent national rules prohibit such exclusion. In particular, Hilti is not obligated for direct, indirect, incidental or consequential damages, losses or expenses in connec-

tion with, or by reason of, the use of, or inability to use the tool for any purpose. Implied warranties of merchantability or fitness for a particular purpose are specifically excluded.

For repair or replacement, send the tool or related parts immediately upon discovery of the defect to the address of the local Hilti marketing organization provided.

This constitutes Hilti's entire obligation with regard to warranty and supersedes all prior or contemporaneous comments and oral or written agreements concerning warranties.

Hilti HTE-M 16/ Hilti HTE-M 33 Pince d'injection

fr

Avant de mettre l'appareil en marche, lire impérativement son mode d'emploi et bien respecter les consignes.

Le présent mode d'emploi doit toujours accompagner l'appareil.

Ne pas prêter ou céder l'appareil à un autre utilisateur sans lui fournir le mode d'emploi.

Sommaire	Page
1 Consignes générales	6
2 Description	7
3 Consignes de sécurité	7
4 Utilisation	8
5 Nettoyage et entretien	9
6 Guide de dépannage	9
7 Recyclage	10
8 Garantie constructeur des appareils	10

I Les chiffres renvoient aux illustrations se trouvant sur les pages rabattables. Pour lire le mode d'emploi, rabattre ces pages de manière à voir les illustrations.

Dans le présent mode d'emploi, « l'appareil » désigne toujours la pince d'injection manuelle Hilti HTE-M 16 ou Hilti HTE-M 33.

Organes de commande et éléments de l'appareil **I**

- ① Porte-cartouche
- ② Ouverture d'accès pour le retrait de la cartouche
- ③ Tiges-poussoirs parallèles avec piston et manche en matière plastique pour le retrait de la tige
- ④ Poignée
- ⑤ Levier de détente pour l'extrusion, le dosage et le desserrage des tiges
- ⑥ Vis de réglage pour l'ajustage de l'avance

Consommables

- ⑦ Cartouche bicomposant Hilti HTE-50, contenance : 473 ml /16 fl.oz.
- ⑧ Cartouche bicomposant Hilti HTE-50, contenance : 975 ml /33 fl.oz.
- ⑨ Capuchon
- ⑩ Bouchon de fermeture
- ⑪ Buse mélangeuse HTE-M pour cartouche Hilti HTE-50

1 Consignes générales

1.1 Termes signalant un danger

DANGER

Pour un danger imminent qui peut entraîner de graves blessures corporelles ou la mort.

AVERTISSEMENT

Pour attirer l'attention sur une situation pouvant présenter des dangers susceptibles d'entraîner des blessures corporelles graves ou la mort.

ATTENTION

Pour attirer l'attention sur une situation pouvant présenter des dangers susceptibles d'entraîner des blessures corporelles légères ou des dégâts matériels.

REMARQUE

Pour des conseils d'utilisation et autres informations utiles.

1.2 Explication des pictogrammes et autres symboles d'avertissement

Symboles d'avertissement



Avertissement danger général

Symboles d'obligation



Porter des vêtements de protection



Porter des lunettes de protection



Porter des gants de protection

Symboles



Lire le mode d'emploi avant d'utiliser l'appareil



Recycler les déchets



Système national de collecte des déchets

fr

2 Description

2.1 Utilisation conforme à l'usage prévu

La pince Hilti HTE-M 16 est destinée à être utilisée avec des cartouches bicomposant Hilti HTE-50 d'une contenance de 473 ml / 16 fl.oz. afin de vider ou doser leur contenu.

La pince Hilti HTE-M 33 est destinée à être utilisée avec des cartouches bicomposant Hilti HTE-50 d'une contenance de 975 ml / 33 fl.oz. afin de vider ou doser leur contenu.

L'appareil est destiné aux utilisateurs professionnels et ne doit être utilisé, entretenu et réparé que par un personnel

agréé, formé à cet effet. Ce personnel doit être au courant des dangers inhérents à l'utilisation de l'appareil.

Toute manipulation ou modification de l'appareil est interdite.

Bien respecter les consignes concernant l'utilisation, le nettoyage et l'entretien de l'appareil qui figurent dans le présent mode d'emploi.

Pour éviter tout risque de blessure, utiliser uniquement les accessoires et outils Hilti d'origine.

Ne jamais diriger l'appareil vers soi ou une autre personne.

L'appareil et ses accessoires peuvent s'avérer dangereux s'ils sont utilisés de manière incorrecte par un personnel non qualifié ou de manière non conforme à l'usage prévu.

3 Consignes de sécurité

ATTENTION ! Lire toutes les indications. Respecter les présentes instructions de sécurité.

3.1 Place de travail

- Veiller à ce que la place de travail soit bien ventilée.**
- Veiller à ce que l'espace de travail soit bien éclairé.**
- Maintenez l'endroit de travail propre et bien éclairé.** Un lieu de travail en désordre ou mal éclairé augmente le risque d'accidents.
- Tenir les enfants et autres personnes éloignés durant l'utilisation de l'appareil.** En cas d'inattention vous risquez de perdre le contrôle de l'appareil.

3.2 Sécurité des personnes

- Toujours tenir l'appareil des deux mains par les poignées prévues à cet effet. Veiller à ce que les poignées soient toujours sèches, propres et exemptes de traces de graisse et d'huile.**
- Porter un équipement de protection individuelle, protection des yeux, gants de protection et vêtements de protection.**
- Éviter une mise en service par mégarde.**
- Ne jamais diriger l'appareil vers soi ou vers une autre personne.**

- Toujours rester concentré à la tâche. Travailler avec précaution et utiliser uniquement l'appareil en étant concentré.**

3.3 Utilisation et emploi soigneux

- Utiliser l'appareil uniquement s'il est en parfait état et seulement de manière conforme à l'usage prévu.**
- Utiliser uniquement les cartouches homologuées pour l'appareil.**
- Ne pas utiliser de cartouche endommagée.**
- Lors du remplacement des cartouches ou de la buse mélangeuse, l'appareil ne doit pas rester sous pression.**
- Le porte-cartouche et le piston doivent être exempts de résidus.**
- L'appareil ne doit pas être ouvert. Les réparations doivent uniquement être réalisées par le S.A.V. Hilti.**

3.4 Équipement de protection individuelle

- Toujours porter un équipement de protection individuelle pour utiliser l'appareil : Protection des yeux/du visage, gants et vêtements de protection étanches.** Le port d'un équipement de protection individuelle réduit le risque de blessures.

- b) Les personnes qui se tiennent à proximité de l'appareil en cours d'utilisation doivent également porter un équipement de protection individuelle.

4 Utilisation

ATTENTION

Avant toute utilisation, prendre connaissance des consignes de sécurité relatives au produit, des instructions sur l'emballage ainsi que du contenu du mode d'emploi de la cartouche.

4.1 Préparation des cartouches 2

ATTENTION

Vérifier la date de péremption sur l'étiquette de la cartouche. Ne plus utiliser un produit dont la date de péremption est dépassée.

DANGER

Vérifier que les cartouches ne sont pas endommagées. Ne jamais utiliser de cartouche endommagée.

ATTENTION

Ne pas utiliser la cartouche à une température inférieure à la température minimale prescrite pour l'application dans le mode d'emploi du produit concerné.

1. Enlever le capuchon et le bouchon de la cartouche.
2. Visser complètement la buse mélangeuse HTE-M sur le filetage de la cartouche. Chaque nouvelle cartouche requiert une nouvelle buse mélangeuse.

4.2 Insertion d'une cartouche dans l'appareil 3

1. Relâcher le levier de détente ou le pousser vers l'avant, pour desserrer la détente.
2. Retirer entièrement les tiges-poussoirs.
3. Saisir la cartouche par le gros cylindre et la déposer dans le porte-cartouche.
4. Pousser ensuite la cartouche dans la position adéquate comme il convient vers le piston de compression et la bloquer en exerçant une légère pression (clic).

4.3 Dosage 4

DANGER

Ne jamais diriger l'appareil vers soi ou vers une autre personne.

ATTENTION

Les premières pressions ne peuvent pas être utilisées. La quantité de mortier à jeter dépend du produit utilisé et est précisée dans la notice d'utilisation correspondante. Le mortier extrudé lors des premières

pressions doit également être jeté après un changement de buse mélangeuse.

AVERTISSEMENT

Le dosage doit seulement être commencé avec la buse mélangeuse vissée.

ATTENTION

Lors d'un changement de buse mélangeuse, l'appareil / la cartouche ne doit pas rester sous pression.

REMARQUE

Lors d'une interruption prolongée, la masse durcit dans la buse mélangeuse. Pour continuer à utiliser la cartouche, visser une nouvelle buse mélangeuse.

1. Tirer à nouveau le levier de détente complètement jusqu'à la poignée, pour commencer le dosage du mortier.
2. En cas d'interruption / en fin de dosage, relâcher le levier de détente ou le repousser vers l'avant. La cartouche est alors exempte de pression et la masse de mortier qui sort encore est réduite au minimum.

REMARQUE Pour connaître les étapes suivantes relatives à l'utilisation du mortier, se reporter au mode d'emploi de la cartouche.

4.4 Extraction/remplacement de la cartouche 5

REMARQUE

Ranger les cartouches entamées avec la buse mélangeuse vissée. Les cartouches entamées peuvent seulement être stockées pendant une durée de temps limitée. Se reporter au mode d'emploi des produits.

1. Relâcher le levier de détente ou le pousser vers l'avant, pour desserrer la détente.
2. Retirer entièrement les tiges-poussoirs.
3. Saisir la cartouche par la buse mélangeuse et la soulever pour la sortir de l'appareil.

4.5 Élimination des cartouches

ATTENTION

Éliminer les cartouches vides conformément aux dispositions légales en vigueur localement.

Pour plus d'informations sur l'élimination des cartouches pleines, partiellement ou entièrement vidées, se reporter au mode d'emploi ou aux fiches techniques du produit.

5 Nettoyage et entretien

ATTENTION

Avant d'entamer des travaux de nettoyage, retirer la cartouche de l'appareil, pour éviter toute mise en marche intempestive de l'appareil !

5.1 Maintenance de l'appareil

ATTENTION

Tenir l'appareil, en particulier les surfaces de préhension, sec, propre et exempt d'huile et de graisse.

Nettoyer régulièrement l'extérieur de l'appareil avec un chiffon légèrement humide. Ne pas utiliser d'appareil diffuseur, d'appareil à jet de vapeur ou d'eau courante pour le nettoyage. L'appareil ou ses pièces constitutives ne doivent jamais être trempés dans du solvant !

Huiler régulièrement les tiges-poussoirs. Les accumulations de produit sur l'appareil doivent être enlevées le plus rapidement possible à l'aide d'un chiffon, avant qu'elles ne durcissent. Les masses durcies peuvent seulement être enlevées mécaniquement. Ce faisant, veiller à ne pas causer d'endommagements.

5.2 Ajustage de l'avance 6

REMARQUE

L'ajustage permet d'égaliser un jeu trop important du levier de détente par rapport au dosage et ainsi d'allonger

la course du piston. L'ajustage s'avère nécessaire si la quantité de mortier dosée par course est réduite du fait de l'usure.

AVERTISSEMENT

Sortir la cartouche de l'appareil avant de l'ajuster ! Ne pas procéder à l'ajustage si une cartouche se trouve encore dans l'appareil.

1. Relâcher le levier de détente ou le pousser vers l'avant, pour desserrer la détente.
2. Tirer les tiges-poussoirs dans une position médiane.
3. Tourner la vis de réglage dans le sens inverse des aiguilles d'une montre, jusqu'à ce que la tige de piston ne puisse plus être retirée.
4. Tourner ensuite la vis de réglage dans le sens des aiguilles d'une montre, jusqu'à atteinte de la position dans laquelle la tige de piston peut être poussée aussi bien vers l'avant que vers l'arrière.

5.3 Contrôle après des travaux de maintenance et d'entretien

Après des travaux de maintenance et d'entretien, vérifier que les composants mobiles de l'appareil fonctionnent correctement et ne coïncent pas, qu'aucune pièce n'est cassée ou endommagée et que l'appareil fonctionne sans problème.

6 Guide de dépannage

Défauts	Causes possibles	Solutions
Le mode coup par coup ne fonctionne pas	La cartouche est mal montée.	Mettre la cartouche correctement en place. Voir chapitre : 4.1 Préparation des cartouches 2 Voir chapitre : 4.2 Insertion d'une cartouche dans l'appareil 3
Impossible de tirer le levier de détente.	La cartouche n'est pas correctement insérée.	Mettre la cartouche correctement en place. Voir chapitre : 4.2 Insertion d'une cartouche dans l'appareil 3
Impossible de tirer le levier de détente après une interruption de travail.	Le produit a durci dans la buse mélangeuse.	Dévisser la buse mélangeuse durcie. Visser une nouvelle buse mélangeuse.
Le levier de détente est grippé.	Le produit est trop froid. Lors de l'utilisation d'un embout prolongateur de buse mélangeuse, la résistance à l'écoulement est trop élevée.	Observer la température d'utilisation. Raccourcir l'embout prolongateur de buse mélangeuse ou utiliser un plus grand diamètre.
Quantité de produit insuffisante sortant de la buse mélangeuse.	Le produit est trop froid. La cartouche est vide.	Observer la température d'utilisation. Mettre en place une nouvelle cartouche.

Défauts	Causes possibles	Solutions
Quantité de produit insuffisante sortant de la buse mélangeuse.	Les tiges-poussoirs glissent à travers.	Utiliser un nouvel appareil. Ajuster l'avance. Voir chapitre : 5.2 Ajustage de l'avance 6
Impossible d'introduire la cartouche dans l'appareil.	Les tiges-poussoirs ne sont pas complètement retirées.	Retirer complètement les tiges-poussoirs.

7 Recyclage

ATTENTION

En cas de recyclage incorrect de votre matériel, les risques suivants peuvent se présenter : La combustion de pièces en plastique risque de dégager des fumées et gaz toxiques nocifs pour la santé. En cas de recyclage sans précautions, des personnes non autorisées risquent d'utiliser le matériel de manière incorrecte, voire de se blesser sérieusement, d'infliger de graves blessures à des tierces personnes et de polluer l'environnement.



Les appareils Hilti sont fabriqués pour une grande part en matériaux recyclables dont la réutilisation exige un tri correct. Dans de nombreux pays, Hilti est déjà équipé pour reprendre votre ancien appareil afin d'en recycler les composants. Consulter le service clients Hilti ou votre conseiller commercial.

8 Garantie constructeur des appareils

Hilti garantit l'appareil contre tout vice de matières et de fabrication. Cette garantie s'applique à condition que l'appareil soit utilisé et manipulé, nettoyé et entretenu correctement, en conformité avec le mode d'emploi Hilti, et que l'intégrité technique soit préservée, c'est-à-dire sous réserve de l'utilisation exclusive de consommables, accessoires et pièces de rechange d'origine Hilti.

Toutes autres revendications sont exclues pour autant que des dispositions légales nationales impératives ne s'y opposent pas. En particulier, Hilti ne saurait être tenu pour responsable de toutes détériorations, pertes ou dépenses directes, indirectes,

accidentelles ou consécutives, en rapport avec l'utilisation ou dues à une incapacité à utiliser l'appareil dans quelque but que ce soit. Hilti exclut en particulier les garanties implicites concernant l'utilisation et l'aptitude dans un but bien précis.

Pour toute réparation ou tout échange, renvoyer l'appareil ou les pièces concernées au réseau de vente Hilti compétent, sans délai, dès constatation du défaut.

La présente garantie couvre toutes les obligations d'Hilti et annule et remplace toutes les déclarations antérieures ou actuelles, de même que tous accords oraux ou écrits concernant des garanties.

Aplicador neumático Hilti HTE-M 16/ Hilti HTE-M 33

Lea detenidamente el manual de instrucciones antes de la puesta en servicio.

Conserve el manual de instrucciones siempre cerca de la herramienta.

En caso de traspaso a terceros, la herramienta siempre se debe entregar junto con el manual de instrucciones.

Índice	Página
1 Indicaciones generales	11
2 Descripción	12
3 Indicaciones de seguridad	12
4 Manejo	13
5 Cuidado y mantenimiento	14
6 Localización de averías	14
7 Reciclaje	15
8 Garantía del fabricante de las herramientas	15

1 Los números hacen referencia a las ilustraciones del texto que pueden encontrarse en las páginas desplega-

bles correspondientes. Manténgalas desplegadas mientras estudia el manual de instrucciones.

En este manual de instrucciones, "la herramienta" se refiere siempre al aplicador neumático manual Hilti HTE-M 16 o Hilti HTE-M 33.

Elementos de manejo y componentes de la herramienta **1**

- ① Portacartuchos para alojar el cartucho
- ② Abertura para extraer el cartucho
- ③ Barras de avance paralelas con émbolos de presión y empuñadura de plástico para retraerlas
- ④ Empuñadura
- ⑤ Palanca de accionamiento para presionar, dosificar el producto y soltar el bloqueo de las barras
- ⑥ Tornillo de ajuste del avance

Material consumible

- ⑦ Hilti HTE-50, cartucho de 2 componentes, contenido: 473 ml /16 fl.oz.
- ⑧ Hilti HTE-50, cartucho de 2 componentes, contenido: 975 ml /33 fl.oz.
- ⑨ Capuchón
- ⑩ Tapón de cierre
- ⑪ Mezclador HTE-M para utilizar con el Hilti HTE-50

1 Indicaciones generales

1.1 Señales de peligro y significado

PELIGRO

Término utilizado para un peligro inminente que puede ocasionar lesiones graves o incluso la muerte.

ADVERTENCIA

Término utilizado para una posible situación peligrosa que puede ocasionar lesiones graves o la muerte.

PRECAUCIÓN

Término utilizado para una posible situación peligrosa que puede ocasionar lesiones o daños materiales leves.

INDICACIÓN

Término utilizado para indicaciones de uso y demás información de interés.

1.2 Explicación de los pictogramas y otras indicaciones

Símbolos de advertencia



Advertencia de peligro en general

Señales prescriptivas



Utilizar prendas protectoras



Utilizar protección para los ojos



Utilizar guantes de protección

Símbolos



Leer el manual de instrucciones antes del uso



Reciclar los materiales usados



Sistema nacional de reciclaje de residuos

ES

2 Descripción

2.1 Uso conforme a las prescripciones

El Hilti HTE-M 16 está diseñado para vaciar y dosificar el contenido de los cartuchos de dos componentes Hilti HTE-50 con volúmenes de 473 ml/16 fl.oz.

El Hilti HTE-M 33 está diseñado para vaciar y dosificar el contenido de los cartuchos de dos componentes Hilti HTE-50 con volúmenes de 975 ml/33 fl.oz.

Esta herramienta ha sido diseñada para el usuario profesional y solo debe ser manejada, conservada y reparada por personal autorizado y debidamente formado. Este

personal debe estar instruido especialmente en lo referente a los riesgos de uso.

No está permitido efectuar manipulaciones o modificaciones en la herramienta.

Siga las indicaciones relativas al manejo, cuidado y mantenimiento que se describen en el manual de instrucciones.

A fin de evitar el riesgo de lesiones, utilice exclusivamente accesorios y herramientas originales de Hilti.

No dirija la herramienta hacia usted u otras personas.

La herramienta y sus dispositivos auxiliares pueden conllevar riesgos para el usuario en caso de manejarse de forma inadecuada por personal no cualificado o utilizarse para usos diferentes a los que están destinados.

3 Indicaciones de seguridad

¡ATENCIÓN! Lea íntegramente estas instrucciones. Tenga en cuenta las presentes indicaciones de seguridad.

3.1 Lugar de trabajo

- Procure que haya una buena ventilación del lugar de trabajo.
- Procure que haya una buena iluminación en la zona de trabajo.
- Mantenga su área de trabajo limpia y bien iluminada. El desorden o una iluminación deficiente de las zonas de trabajo pueden provocar accidentes.
- Mantenga alejados a los niños y otras personas al emplear la herramienta. Una distracción le puede hacer perder el control sobre la herramienta.

3.2 Seguridad de personas

- Sujete siempre la herramienta con ambas manos por las empuñaduras previstas. Mantenga las empuñaduras secas, limpias y sin residuos de aceite o grasa.
- Utilice siempre un equipo de seguridad personal, gafas de protección, guantes de protección y ropa de trabajo.
- Evite una puesta en marcha fortuita de la herramienta.
- No dirija la herramienta hacia usted u otras personas.

- Mantenga la concentración en todo momento. Proceda con precaución y no utilice la herramienta si no es capaz de mantener la concentración.

3.3 Manipulación y utilización segura

- La herramienta solo se debe utilizar según su uso previsto y en un estado de funcionamiento óptimo.
- Utilice exclusivamente cartuchos homologados para la herramienta.
- No utilice cartuchos dañados.
- Al cambiar el cartucho o el mezclador, la herramienta no debe estar sometida a presión.
- El portacartuchos y el émbolo deben estar limpios.
- No se debe abrir la herramienta. Las reparaciones las debe realizar exclusivamente el servicio técnico de Hilti.

3.4 Equipo de seguridad personal

- Cuando emplee la herramienta, protéjase con el debido equipo de seguridad personal: gafas de protección herméticas/protección facial, guantes de protección y prendas protectoras. El uso del equipo de seguridad personal reduce el riesgo de sufrir lesiones.

- b) Las personas que se encuentren en las proximidades de la herramienta durante su uso deberán

utilizar los debidos equipos de seguridad personales.

4 Manejo

PRECAUCIÓN

Antes de utilizar la herramienta, tenga en cuenta la hoja de datos de seguridad del producto, las indicaciones que figuran en el embalaje y las instrucciones de uso del cartucho.

4.1 Preparación del cartucho 2

PRECAUCIÓN

Compruebe la fecha de caducidad que figura en la etiqueta del cartucho. El producto no debe utilizarse después de la fecha de caducidad.

PELIGRO

Compruebe si los cartuchos presentan daños. Nunca utilice cartuchos dañados.

PRECAUCIÓN

Al utilizar el cartucho, su temperatura no debe bajar de la temperatura mínima indicada en las instrucciones de uso del producto.

1. Retire el capuchón y el tapón del cartucho.
2. Enrosque el mezclador HTE-M completamente en la rosca del cartucho. Cada nuevo cartucho requiere utilizar un mezclador nuevo.

4.2 Montaje del cartucho en la herramienta 3

1. Deje de accionar la palanca de accionamiento y desplácela hacia delante para soltar el bloqueo.
2. Retraiga completamente las barras de avance.
3. Sujete el cartucho por el cilindro grande y colóquelo en el portacartuchos.
4. Empuje el cartucho hasta la posición correcta ajustándolo al émbolo de presión y bloquéelo ejerciendo una leve presión (clic).

4.3 Dosificación 4

PELIGRO

No dirija la herramienta hacia sí mismo u otras personas.

PRECAUCIÓN

Las resinas iniciales (que salen primero del mezclador) no son aptas para ser aplicadas. La cantidad desechable varía en función del producto y se indica en las instrucciones de uso correspondientes. Asimismo, la aplicación inicial debe desecharse tras cada cambio de mezclador.

ADVERTENCIA

No comience a dosificar hasta que no haya enroscado el mezclador.

PRECAUCIÓN

Al cambiar el mezclador, la herramienta/el cartucho no deben estar sometidos a presión.

INDICACIÓN

Si el trabajo se interrumpe durante un largo periodo de tiempo, la masa se endurece en el interior del mezclador. Para continuar trabajando con el mismo cartucho, enrosque un mezclador nuevo.

1. Para iniciar la dosificación de la resina, tire de la palanca de accionamiento repetidamente hasta la empuñadura.
2. Para interrumpir/terminar la dosificación, suelte la palanca de accionamiento y desplácela hacia delante. Al hacerlo, cesa la presión ejercida sobre el cartucho y se reduce a un mínimo la cantidad de resina que sigue saliendo.

INDICACIÓN Consulte los próximos pasos de trabajo para la aplicación de la resina en las instrucciones de uso del cartucho.

4.4 Extracción/cambio del cartucho de la herramienta 5

INDICACIÓN

Almacene los cartuchos empezados con el mezclador enroscado. Los cartuchos empezados solo se pueden guardar durante un tiempo limitado. Véanse las instrucciones de uso de los productos.

1. Deje de accionar la palanca de accionamiento y desplácela hacia delante para soltar el bloqueo.
2. Retraiga completamente las barras de avance.
3. Sujete el cartucho por el mezclador y levántelo de la herramienta.

4.5 Eliminación de los cartuchos

PRECAUCIÓN

Elimine los cartuchos vacíos conforme a las normativas legales nacionales.

Consulte la información relativa al reciclaje de cartuchos llenos, medio vacíos y completamente vacíos en las instrucciones de uso o en las hojas de datos de seguridad del producto.

5 Cuidado y mantenimiento

PRECAUCIÓN

Antes de empezar con las tareas de limpieza, extraiga el cartucho de la herramienta para impedir que la herramienta se ponga en marcha accidentalmente.

5.1 Cuidado de la herramienta

PRECAUCIÓN

Mantenga la herramienta seca, limpia y libre de aceite y grasa, en especial las superficies de la empuñadura.

Limpie regularmente el exterior de la herramienta con un paño ligeramente humedecido. No utilice pulverizadores, aparatos de chorro de vapor o agua corriente para la limpieza. Nunca sumerja la herramienta o partes de la misma en agentes disolventes.

Lubrique las barras de avance regularmente. Elimine con un paño cuanto antes los restos de producto en la herramienta antes de que endurezcan. La masa endurecida solo puede eliminarse de forma mecánica. Al hacerlo, tenga cuidado de no dañar la herramienta.

5.2 Ajuste del avance **6**

INDICACIÓN

El ajuste sirve para compensar un juego excesivo de la palanca de accionamiento a la hora de dosificar y para recuperar la carrera del émbolo. El ajuste se hace

necesario cuando, a causa del desgaste, se ha reducido la cantidad de resina dosificada por carrera de émbolo.

ADVERTENCIA

Antes del ajuste, extraiga el cartucho de la herramienta. El ajuste no se debe realizar si aún hay un cartucho en la herramienta.

1. Deje de accionar la palanca de accionamiento y desplácela hacia delante para soltar el bloqueo.
2. Tire de las barras de avance hasta una posición media.
3. Gire el tornillo de ajuste en el sentido contrario a las agujas del reloj, hasta que la barra del émbolo no se pueda retraer más.
4. A continuación gire el tornillo de ajuste en sentido horario hasta alcanzar una posición donde pueda tirar de la barra del émbolo tanto hacia delante como hacia detrás.

5.3 Control después de las tareas de cuidado y mantenimiento

Tras realizar tareas de cuidado y mantenimiento, compruebe que las piezas móviles de la herramienta funcionan correctamente y sin atascarse, que no existen piezas rotas o deterioradas y que la herramienta funciona con normalidad.

6 Localización de averías

Fallo	Posible causa	Solución
La embolada única no funciona.	Cartucho introducido incorrectamente.	Introduzca el cartucho correctamente. Véase el capítulo: 4.1 Preparación del cartucho 2 Véase el capítulo: 4.2 Montaje del cartucho en la herramienta 3
La palanca de accionamiento no se puede mover por todo su recorrido.	El cartucho no está colocado correctamente.	Coloque el cartucho correctamente. Véase el capítulo: 4.2 Montaje del cartucho en la herramienta 3
Tras haber interrumpido el trabajo, la palanca de accionamiento no se puede mover por todo su recorrido.	El producto se ha endurecido dentro del mezclador.	Desatornille los mezcladores que contengan productos endurecidos. Enrosque un mezclador nuevo.
La palanca de accionamiento se mueve con dificultad.	El producto está demasiado frío.	Tenga en cuenta la temperatura de uso.
	Al utilizar un prolongador de mezclador, la resistencia del flujo de salida es excesiva.	Acorte el prolongador del mezclador o utilice un diámetro mayor.
No sale la suficiente cantidad de producto del mezclador.	El producto está demasiado frío.	Tenga en cuenta la temperatura de uso.
	El cartucho está vacío.	Introducir un cartucho nuevo.
	Las barras de avance se deslizan con facilidad por todo el recorrido.	Utilice una herramienta nueva. Ajuste el avance. Véase el capítulo: 5.2 Ajuste del avance 6

Fallo	Posible causa	Solución
No es posible introducir el cartucho en la herramienta.	Las barras de avance no están completamente retraídas.	Retraiga las barras de avance completamente.

7 Reciclaje

PRECAUCIÓN

Una eliminación no reglamentaria del equipamiento puede tener las siguientes consecuencias: si se queman las piezas de plástico se generan gases tóxicos que pueden afectar a las personas. Si se realiza una evacuación imprudente, el equipo puede caer en manos de personas no autorizadas que hagan un uso inadecuado del mismo. Esto generaría el riesgo de provocar lesiones al usuario o a terceros, así como la contaminación del medio ambiente.



Gran parte de las herramientas Hilti están fabricadas con materiales reutilizables. La condición para dicha reutilización es una separación de materiales adecuada. En muchos países, Hilti ya dispone de un servicio de recogida de la herramienta usada. Póngase en contacto con el servicio de atención al cliente de Hilti o con su asesor de ventas.

8 Garantía del fabricante de las herramientas

Hilti garantiza la herramienta suministrada contra todo fallo de material y de fabricación. Esta garantía se otorga a condición de que la herramienta sea utilizada, manejada, limpiada y revisada en conformidad con el manual de instrucciones de Hilti, y de que el sistema técnico sea salvaguardado, es decir, que se utilicen en la herramienta exclusivamente consumibles, accesorios y piezas de recambio originales de Hilti.

Quedan excluidas otras condiciones que no sean las expuestas, siempre que esta condición no sea contraria a las prescripciones nacionales vigentes. Hilti no acepta la responsabilidad especialmente en relación con deterioros, pérdidas o gastos directos, indirectos, accidentales o consecutivos, en relación

con la utilización o a causa de la imposibilidad de utilización de la herramienta para cualquiera de sus finalidades. Quedan excluidas en particular todas las garantías tácitas relacionadas con la utilización y la idoneidad para una finalidad precisa.

Para toda reparación o recambio, le rogamos que envíe la herramienta o las piezas en cuestión a la dirección de su organización de venta Hilti más cercana inmediatamente después de la constatación del defecto.

Estas son las únicas obligaciones de Hilti en materia de garantía, las cuales anulan toda declaración anterior o contemporánea, del mismo modo que todos los acuerdos orales o escritos en relación con las garantías.

Dispensador Hilti HTE-M 16/ Hilti HTE-M 33

Antes de utilizar a ferramenta, por favor leia atentamente o manual de instruções.

Conserve o manual de instruções sempre junto da ferramenta.

Entregue a ferramenta a outras pessoas juntamente com o manual de instruções.

Índice	Página
1 Informação geral	16
2 Descrição	17
3 Normas de segurança	17
4 Utilização	18
5 Conservação e manutenção	19
6 Avarias possíveis	19
7 Reciclagem	20
8 Garantia do fabricante - Ferramentas	20

1 Estes números referem-se a figuras. Estas encontram-se nas contracapas desdobráveis. Ao ler as instruções, mantenha as contracapas abertas.

Neste manual de instruções, a palavra «ferramenta» refere-se sempre ao dispensador manual Hilti HTE-M 16 ou Hilti HTE-M 33.

Comandos operativos e componentes **1**

- 1 Porta-cartucho para alojamento do cartucho
- 2 Abertura para facilitar a remoção do cartucho
- 3 Varões de avanço paralelos com pistões de pressão e punho em plástico para puxar para trás os varões
- 4 Punho
- 5 Alavanca de accionamento para controlar a saída, dosar a resina e soltar o travamento dos varões
- 6 Parafuso para ajuste do avanço

Consumíveis

- 7 Hilti HTE-50, cartucho de 2 componentes, conteúdo: 473 ml/16 fl.oz.
- 8 Hilti HTE-50, cartucho de 2 componentes, conteúdo: 975 ml/33 fl.oz.
- 9 Capa de fecho
- 10 Tampão de fecho
- 11 Misturador HTE-M para a utilização com cartuchos Hilti HTE-50

1 Informação geral

1.1 Indicações de perigo e seu significado

PERIGO

Indica perigo iminente que pode originar acidentes pessoais graves ou até mesmo fatais.

AVISO

Indica uma situação potencialmente perigosa que pode causar graves ferimentos pessoais, até mesmo fatais.

CUIDADO

Indica uma situação potencialmente perigosa que pode originar ferimentos ligeiros ou danos na ferramenta ou noutros materiais.

NOTA

Indica instruções ou outras informações úteis.

1.2 Significado dos pictogramas e outras notas

Sinais de aviso



Perigo geral

Sinais de obrigação



Use vestuário de protecção



Use óculos de protecção



Use luvas de protecção

Símbolos



Leia o manual de instruções antes da utilização.



Recicle os desperdícios



Sistema nacional de reciclagem dos desperdícios

2 Descrição

2.1 Utilização correcta

O Hilti HTE-M 16 destina-se ao esvaziamento de cartuchos de 2 componentes Hilti HTE-50 com 473 ml/16 fl.oz. ou à dosagem do seu conteúdo.

O Hilti HTE-M 33 destina-se ao esvaziamento de cartuchos de 2 componentes Hilti HTE-50 com 975 ml/33 fl.oz. ou à dosagem do seu conteúdo.

A ferramenta foi concebida para uso profissional e só deve ser utilizada, feita a sua manutenção e reparada por pessoal autorizado e devidamente credenciado. Estas

peçoas deverão ser informadas sobre os potenciais perigos que a ferramenta representa.

Não é permitida a modificação ou manipulação da ferramenta.

Leia as instruções contidas neste manual sobre utilização, conservação e manutenção.

Para evitar ferimentos/danos, use apenas acessórios e equipamento auxiliar Hilti.

Nunca aponte a ferramenta na sua direcção ou na direcção de terceiros.

Os acessórios e equipamentos auxiliares originais Hilti podem representar perigo se usados incorrectamente por pessoas não qualificadas ou se usados para fins diferentes daqueles para os quais foram concebidos.

3 Normas de segurança

ATENÇÃO: Leia todas as instruções. Respeite estas indicações de segurança.

3.1 Local de trabalho

- Assegure-se de que o local de trabalho está bem ventilado.
- Assegure-se de que o local está bem iluminado.
- Mantenha a sua área de trabalho limpa e bem iluminada. Locais desarrumados ou mal iluminados podem ocasionar acidentes.
- Mantenha crianças e terceiros afastados durante os trabalhos. Distracções podem conduzir à perda de controlo sobre a ferramenta.

3.2 Segurança física

- Segure a ferramenta sempre com as duas mãos nos punhos previstos para o efeito. Mantenha os punhos secos, limpos e isentos de óleo e massas.
- Use equipamento de protecção pessoal, óculos de protecção, luva de protecção e roupa de trabalho.
- Evite um arranque involuntário.
- Nunca aponte a ferramenta na sua direcção ou na direcção de terceiros.
- Concentre-se sempre no seu trabalho. Não utilize a ferramenta se a sua atenção não estiver inteiramente voltada para a tarefa que está a executar.

3.3 Utilização e manutenção

- A ferramenta só deve ser usada para os fins para os quais foi concebida e só se estiver completamente operacional.
- Utilize somente elementos de fixação aprovados para o uso com a ferramenta.
- Não utilize cartuchos danificados.
- Ao substituir os cartuchos ou misturador, a ferramenta não pode estar sob pressão.
- Porta-cartucho e pistões têm de estar livres de contaminantes.
- A ferramenta não deve ser aberta. Reparações só devem ser realizadas pelo Centro de Assistência Técnica Hilti.

3.4 Equipamento de protecção pessoal

- Use equipamento de protecção pessoal durante a utilização da ferramenta: óculos de protecção/protector para a face que fiquem bem justos, luvas de protecção e vestuário de protecção. O uso de equipamento de protecção pessoal reduz o risco de ferimentos.
- Pessoas que se encontrem na proximidade da ferramenta devem usar equipamento de protecção pessoal durante a utilização da ferramenta.

4 Utilização

CUIDADO

Antes da utilização leia com atenção a ficha de segurança do produto, as indicações na embalagem e as instruções de utilização do cartucho.

4.1 Preparar o cartucho 2

CUIDADO

Verifique o prazo de validade na etiqueta do cartucho. Não utilize o produto cujo prazo de validade se encontre ultrapassado.

PERIGO

Verifique os cartuchos quanto a danos. Nunca utilize cartuchos danificados.

CUIDADO

O cartucho deve estar a uma temperatura igual ou superior à temperatura mínima indicada no manual de instruções do produto.

1. Retire a capa de fecho e o tampão do cartucho.
2. Enrosque o misturador HTE-M completamente sobre a rosca do cartucho. Cada cartucho novo exige um misturador novo.

4.2 Inserir o cartucho na ferramenta 3

1. Para desbloquear o travamento, solte a alavanca de accionamento ou empurre-a para a frente.
2. Puxe os varões de avanço do pistão completamente para trás.
3. Pegue no cartucho pelo cilindro grande e insira-o no porta-cartucho.
4. Empurre o cartucho adequado aos pistões de pressão para a posição correcta e trave-o com uma ligeira pressão (clique).

4.3 Dosagem 4

PERIGO

Nunca aponte a ferramenta na sua direcção ou na direcção de terceiros.

CUIDADO

As primeiras bombadas (quantidade inicial dispensada) não devem ser utilizadas. A quantidade a rejeitar depende do produto utilizado e encontra-se indicada nas respectivas instruções de utilização. A

quantidade inicial também deverá ser rejeitada após uma substituição do misturador.

AVISO

Inicie a dosagem apenas com o misturador enroscado.

CUIDADO

Ao substituir o misturador, a ferramenta/cartucho não pode estar sob pressão.

NOTA

No caso de pausas mais longas, a massa adesiva endurece no bocal misturador. Para continuar a utilizar o cartucho, enrosque um novo misturador.

1. Aperte repetidamente a alavanca de accionamento até ao punho para controlo de saída do produto dispensado.
2. Quando interromper/terminar a dosagem, solte a alavanca de accionamento ou empurre-a para a frente. Desta forma, o cartucho ficará despressurizado e evita-se que a resina continue a sair.

NOTA Consulte nas instruções de utilização do cartucho os passos de trabalho subsequentes para a utilização do cartucho.

4.4 Retirar/substituir o cartucho 5

NOTA

Guardar cartuchos encetados com misturador enroscado. Cartuchos abertos têm capacidade de armazenamento limitada. Consultar as instruções de utilização dos produtos.

1. Para desbloquear o travamento, solte a alavanca de accionamento ou empurre-a para a frente.
2. Puxe os varões de avanço do pistão completamente para trás.
3. Pegue no cartucho pelo misturador e levante-o para fora da ferramenta.

4.5 Eliminar cartuchos

CUIDADO

Elimine os cartuchos vazios de acordo com as regulamentações nacionais aplicáveis.

Para informações sobre a eliminação de cartuchos cheios, parcialmente vazios e completamente vazios, consulte as instruções de utilização ou as fichas de segurança do produto.

5 Conservação e manutenção

CUIDADO

Antes de iniciar os trabalhos de limpeza, retire o cartucho da ferramenta, evitando assim um arranque inadvertido!

5.1 Manutenção da ferramenta

CUIDADO

Mantenha a ferramenta, particularmente as superfícies do punho, seca, limpa e isenta de óleos e massas.

Limpe regularmente o exterior da ferramenta com um pano ligeiramente húmido. Não utilize qualquer pulverizador, aparelho de jacto de vapor ou água corrente para limpar a ferramenta. A ferramenta ou peças da mesma não devem ser mergulhadas em solventes!

Lubrifique regularmente os varões de avanço dos pistões com óleo. Remover com um trapo o mais rapidamente possível depósitos de produto na ferramenta antes de endurecerem. Massa adesiva endurecida só pode ser removida mecanicamente. Ao fazê-lo, prestar atenção para não provocar danos.

5.2 Ajustar o avanço 6

NOTA

O ajuste compensa uma folga demasiado grande na alavanca de accionamento para dosagem e serve para

a recuperação da bombada do pistão. O ajuste torna-se necessário quando, devido a desgaste, a quantidade de resina dispensada por bombada tiver baixado.

AVISO

Retire o cartucho da ferramenta antes de efectuar o ajuste! O ajuste não deve ser efectuado quando ainda se encontrar um cartucho na ferramenta.

1. Para desbloquear o travamento, solte a alavanca de accionamento ou empurre-a para a frente.
2. Puxe os varões de avanço do pistão para uma posição intermédia.
3. Rode o parafuso de ajuste no sentido contrário ao dos ponteiros do relógio, até que a haste do pistão já não possa ser puxada para trás.
4. Rode depois o parafuso de ajuste no sentido dos ponteiros do relógio, até chegar à posição em que a haste do pistão tanto pode ser empurrada para a frente bem como para trás.

5.3 Verificação do equipamento após manutenção

Após trabalhos de conservação e de manutenção verifique se as partes móveis da ferramenta funcionam perfeitamente e não emperram, se não há peças quebradas ou danificadas e se a ferramenta funciona perfeitamente.

6 Avarias possíveis

Falha	Causa possível	Solução
Saída única não funciona	Cartucho mal inserido.	Insira o cartucho correctamente. Ver capítulo: 4.1 Preparar o cartucho 2 Ver capítulo: 4.2 Inserir o cartucho na ferramenta 3
Não é possível puxar a alavanca de accionamento.	Cartucho não está correctamente inserido.	Insira o cartucho correctamente. Ver capítulo: 4.2 Inserir o cartucho na ferramenta 3
Não é possível puxar a alavanca de accionamento após a interrupção do trabalho.	O produto endureceu dentro do misturador.	Desenrosque o misturador com material endurecido. Enrosque um misturador novo.
Alavanca de accionamento prende.	Produto está demasiado frio.	Observe a temperatura de utilização.
	A resistência ao fluxo é demasiado elevada se for utilizada uma extensão do misturador.	Encurte a extensão do misturador ou utilize um diâmetro maior.
Não sai produto suficiente do misturador.	Produto está demasiado frio.	Observe a temperatura de utilização.
	Cartucho está vazio.	Insira um cartucho novo.
Não é possível inserir o cartucho dentro da ferramenta.	Os varões de avanço do pistão deslizam.	Utilize uma ferramenta nova. Ajuste o avanço. Ver capítulo: 5.2 Ajustar o avanço 6
	Os varões de avanço do pistão não estão completamente puxados para trás.	Puxe completamente para trás os varões de avanço do pistão.

7 Reciclagem

CUIDADO

A reciclagem incorrecta do equipamento pode ter graves consequências: a combustão de componentes plásticos pode gerar fumos tóxicos que representam um perigo para a saúde. Uma reciclagem incorrecta (ou ausência desta) permite que pessoas não autorizadas/habilitadas utilizem o equipamento para fins diferentes daqueles para os quais foi concebido. Consequentemente, podem ferir-se a si próprias ou a terceiros ou causar poluição ambiental.



pt

As ferramentas Hilti são, em grande parte, fabricadas com materiais recicláveis. Um pré-requisito para a reciclagem é que esses materiais sejam devidamente separados. A Hilti já iniciou em muitos países a recolha da sua ferramenta usada para fins de reaproveitamento. Para mais informações dirija-se ao Serviço de Clientes Hilti local ou ao vendedor.

8 Garantia do fabricante - Ferramentas

A Hilti garante que a ferramenta fornecida está isenta de quaisquer defeitos de material e de fabrico. Esta garantia é válida desde que a ferramenta seja utilizada e manuseada, limpa e revista de forma adequada e de acordo com o manual de instruções Hilti e desde que o sistema técnico seja mantido, isto é, sob reserva da utilização exclusiva na ferramenta de consumáveis, componentes e peças originais Hilti.

Estão excluídas desta garantia quaisquer outras situações susceptíveis de reclamação, salvo legislação nacional aplicável em contrário. Em caso algum será a Hilti responsável por danos indirectos, directos, acidentais ou pelas consequências daí resultantes,

perdas ou despesas em relação ou devidas à utilização ou incapacidade de utilização da ferramenta, seja qual for a finalidade. A Hilti exclui em particular as garantias implícitas respeitantes à utilização ou aptidão para uma finalidade particular.

Para toda a reparação ou substituição, enviar a ferramenta ou as peças para o seu centro de vendas Hilti, imediatamente após detecção do defeito.

Estas são todas e as únicas obrigações da Hilti no que se refere à garantia, as quais anulam todas as declarações, acordos orais ou escritos anteriores ou contemporâneos referentes à garantia.



Hilti Corporation

LI-9494 Schaan

Tel.: +423/234 21 11

Fax: +423/234 29 65

www.hilti.com

Hilti = registered trademark of Hilti Corp., Schaan

W 4048 | 0913 | 00-Pos. 3 | 1

Printed in Germany © 2013

Right of technical and programme changes reserved S. E. & O.

428659 / A4



428659