



# MT SUPPORT SYSTEM

The all-in-one modular support solution



# ONE SYSTEM, COUNTLESS SCENARIOS

Easier to design and assemble than ever, Hilti's MT System is a flexible, modular solution for virtually all your installation support structures.

## DO MORE WITH LESS

From light utilities like air ducts, communication cables and cable trays to larger non-critical piping, heavier cable ladders and mechanical equipment, Hilti's MT System handles most loading scenarios while enabling highly efficient installations.

This allows you to streamline the planning, managing and assembly of your metal framing and support structures. For example, you can

seamlessly combine all MEP utilities into a single structure designed for optimal efficiency.

The MT System's cross-compatibility and interchangeability help enable value-engineered solutions that optimize costs and improve sustainability. The components and baseplates complement the range of profiles, so you can complete your installation with one system.

## DESIGN WITH EASE

The MT System's large portfolio of trapeze profiles, C-Channels and box profiles make it easier to design even complex multi-trade support installations. The system also features direct box-profile-on-box-profile connectivity as well as direct fixation of Trapeze and C-Channel profiles to box profiles. Additionally, some connectors are compatible with both C-Channels and box profiles.







## EMBRACE SIMPLICITY

The MT System features intuitive, robust bolting mechanisms for box profiles to help minimize installation errors: The Thread Forming Bolt (MT-TFB) is the go-to bolt for all domed hole connections, so you'll always have the right bolt for a given fixation combination.

### More productive

Releasing, repositioning and subsequent retorquing of TFB fixations is enabled, allowing the modular system to remain flexible.

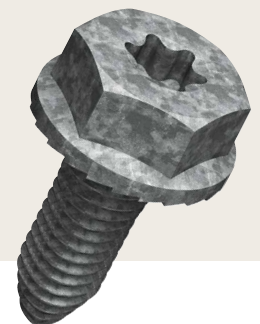
### More intuitive

The variety of needed connectors is reduced, helping minimize the complexity and cost of stock management. Fixation of elements to box profile domed holes can be accomplished with just one version of a simple bolt.

### More Secure

The Hilti SIW-AT impact wrench with Adaptive Torque system helps you set bolts to the recommended tightness more quickly and consistently.

Hilti's MT-TFB Thread Forming Bolts securely connect to box profile without the need for nuts or washers. During installation, a robust thread is formed within the box profile dome, reducing the risk of thread stripping.





# YOUR BEST PARTNER FOR PRODUCTIVITY

## ATTACH, ADJUST, RE-ADJUST.

With the new hybrid profile MT-90H, media connections are faster and simpler than ever before. Complex 3D structures requiring a high degree of adjustability can be mastered more easily.

### Value engineered

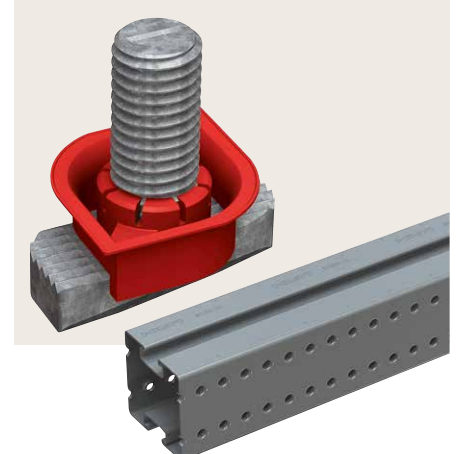
Space-saving designs can be created to accommodate installations in tight spaces while allowing easy access for maintenance. The MT System offers full flexibility and adjustability with few parts and assembly steps needed.

### Higher performing

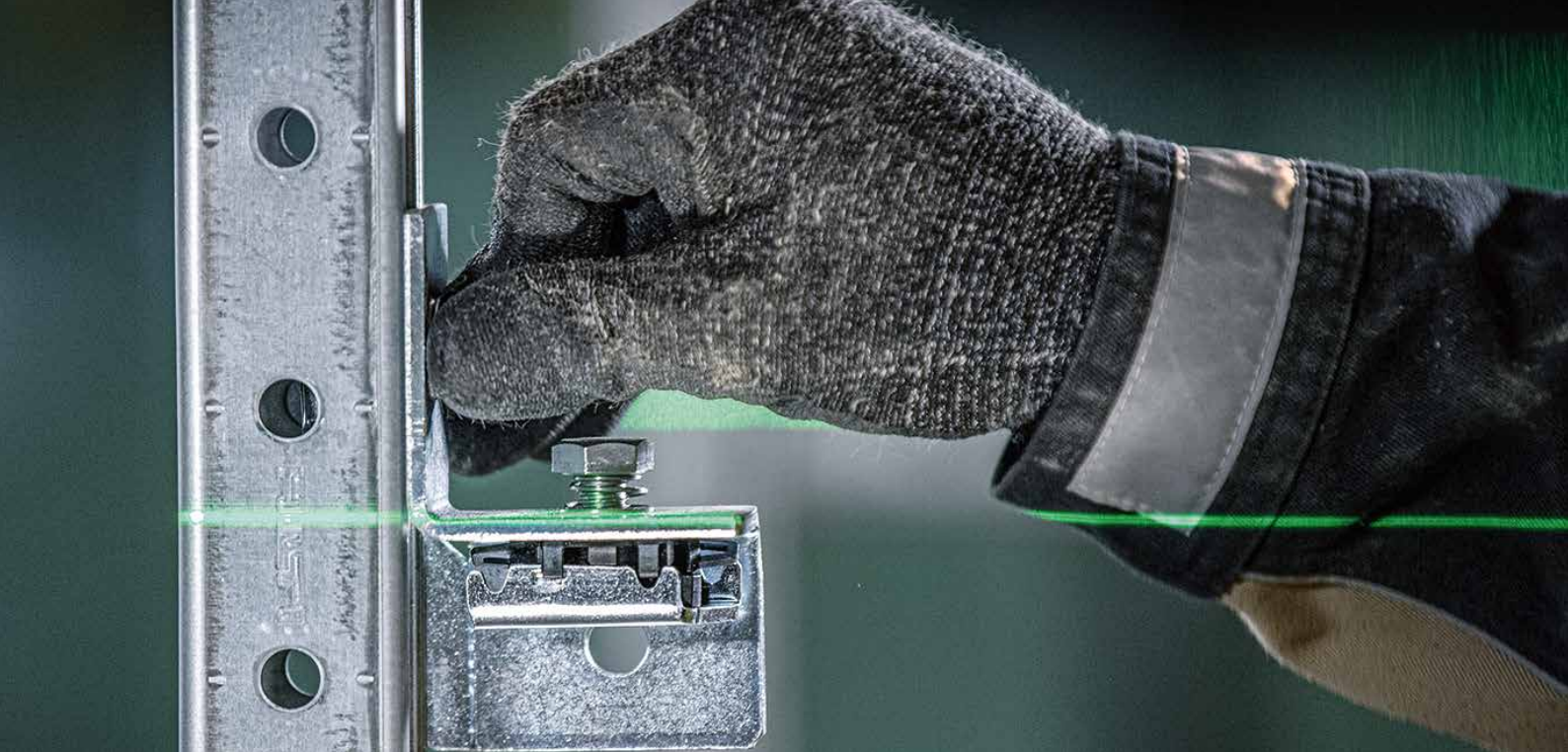
No additional C-Channels need to be mounted on top of the box profile, which helps reduce weight and CO<sub>2</sub> while speeding up mounting time to decrease the total cost of installation.

### Peace of mind

The MT System covers a wide range of codes and approvals. Our Global Project Management support can assist you in realizing your project from planning to execution, while helping you meet your time, cost and sustainability objectives.







## FASTER, SIMPLER, DONE

The MT System offers a comprehensive range of preassembled connectors and baseplates to help speed up installation of your MEP supports.

### Faster

By eliminating non-value-adding steps from the assembly process, you can achieve up to 50% time savings compared to basic connection solutions.

### Simpler

With fewer single parts and boxes to handle on the jobsite, your purchasing and stock management processes become easier.

### Safer

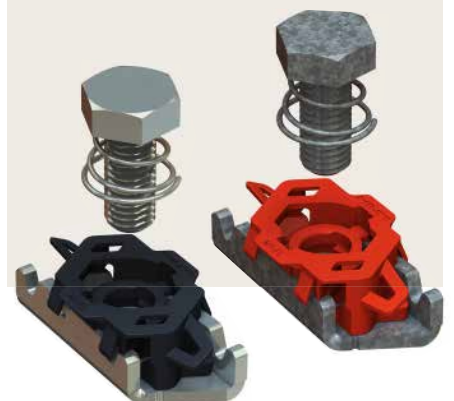
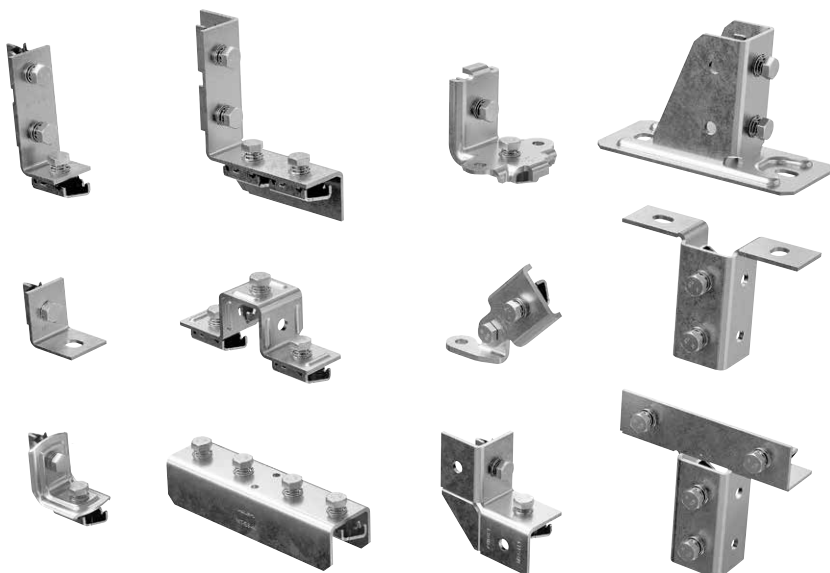
The MT System is compatible with our Adaptive Torque (AT) module, enabling consistent torquing, while pre-assembled parts reduce the likelihood of installation mistakes.

### Fast-Lock innovation

The preassembled connectors feature an innovative connection mechanism that enhances installation flexibility.

Simple and easy to use, it provides a reliable connection on MT C-Channels and can be easily disassembled, adjusted and repositioned even after initial full torque.

The Fast-Lock and the pre-assembled portfolios are available in both Indoor Coated (black) and Outdoor Coated (red) versions.



# DESIGNED TO PERFORM

Discover the flexibility of our latest innovation in C-Channel connectivity: The MT System is designed to adapt to your needs seamlessly.

## SERRATION ON THE SPOT

Hilti MT-TL Twist-Lock channel nuts create their own serration during torquing, making it one of the first seamless C-Channel fixation methods with shear capacity.

### Universal

Serration is created on the spot, thus eliminating the need for preformed serrations in the channel. Known restrictions of positioning steps (typically 2 mm) due to serrations become obsolete.

### Adjustable

Releasing, repositioning, and subsequent retorquing of elements fixed with MT-TL remains fully enabled.

### Reliable

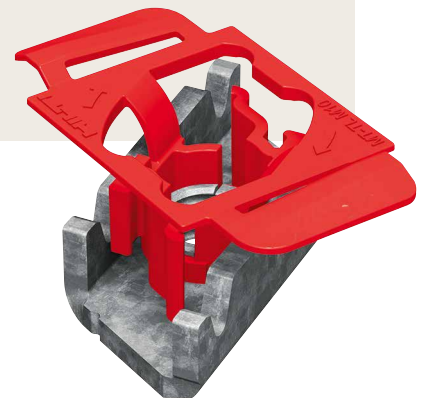
Mechanical connection of the MT-TL is realized without reliance on friction, thus providing the required shear capacity for C-Channel connections.

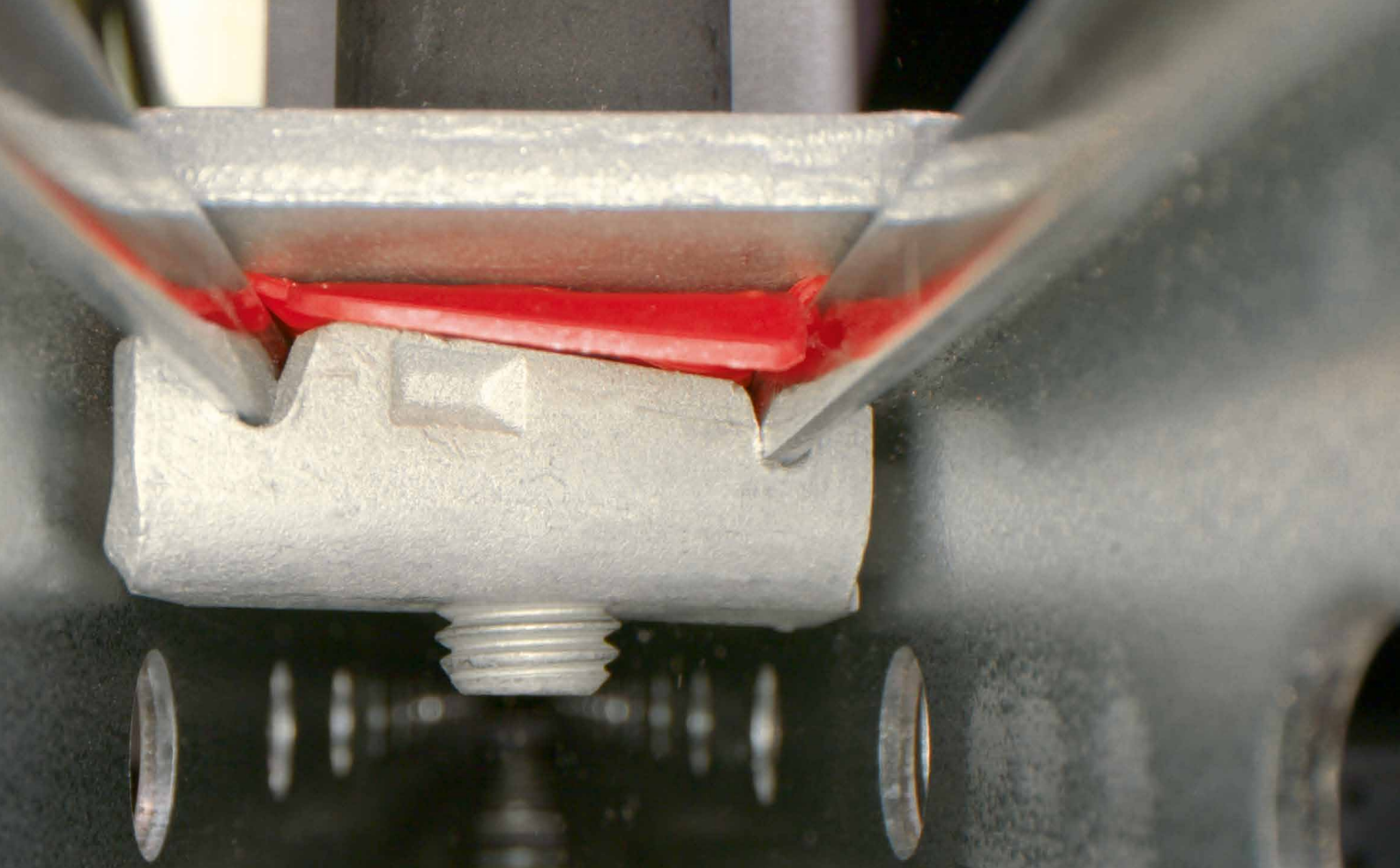
### Fast and easy

During installation, connection elements can be intuitively positioned and locked in place.

### Twist-Lock innovation

Hilti MT-TL channel nuts can be installed with a one-handed “twist and lock” into position. A groove is cut into the channel, allowing for rapid and accurate placement of components. During installation, Twist-Locks do not slip before final torquing.





## ADVANCED CORROSION PROTECTION

The MT System is designed to last in both indoor and low-to-moderate outdoor pollution conditions thanks to advanced corrosion protection technologies.

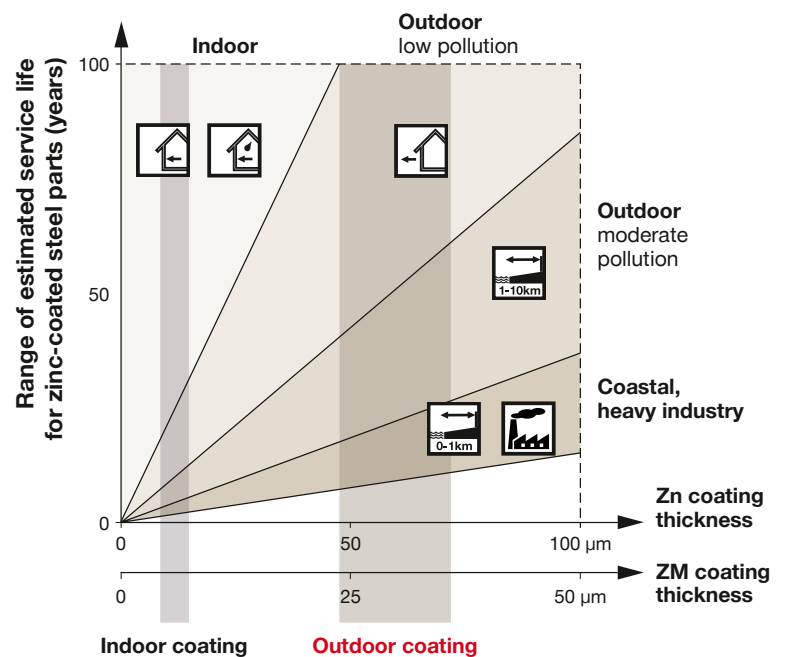
### Performs under most conditions

For indoor usage, Hilti's established high-quality protection is used: Profiles are Sendzimir galvanized, connectors and baseplates are zinc electroplated.

Solutions designed for outdoor use combine hot-dip galvanization for components (such as connectors and baseplates) and zinc-magnesium galvanization (ZM technology) for profiles. ZM profiles conform to the ASTM A1046 and EN 10346 standards.

### Breakthrough coating technology

Zinc Magnesium (ZM) technology represents the leading edge of corrosion protection. It combines robustness and longevity with increased environmental sustainability and cost optimization.





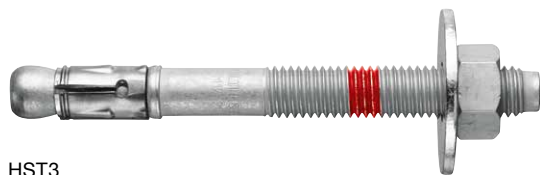
# FULL HILTI SOLUTION

The MT System is an integral part of Hilti's full installation offering. State-of-the-art anchoring solutions, advanced software tools for modeling and calculating, and innovative tools take the headache out of your planning and onsite execution.



## NO COMPROMISE ON SAFETY

MT modular support structures are compatible with our concrete anchoring and direct steel fixation solutions, as well as with our pipe attachment components. The complementary Adaptive Torque (AT) module helps achieve consistent torquing.



HST3



HUS4-H



KB-TZ2



KH-EZ



S-BT-MF



X-BT-MR



F-BT MR SN

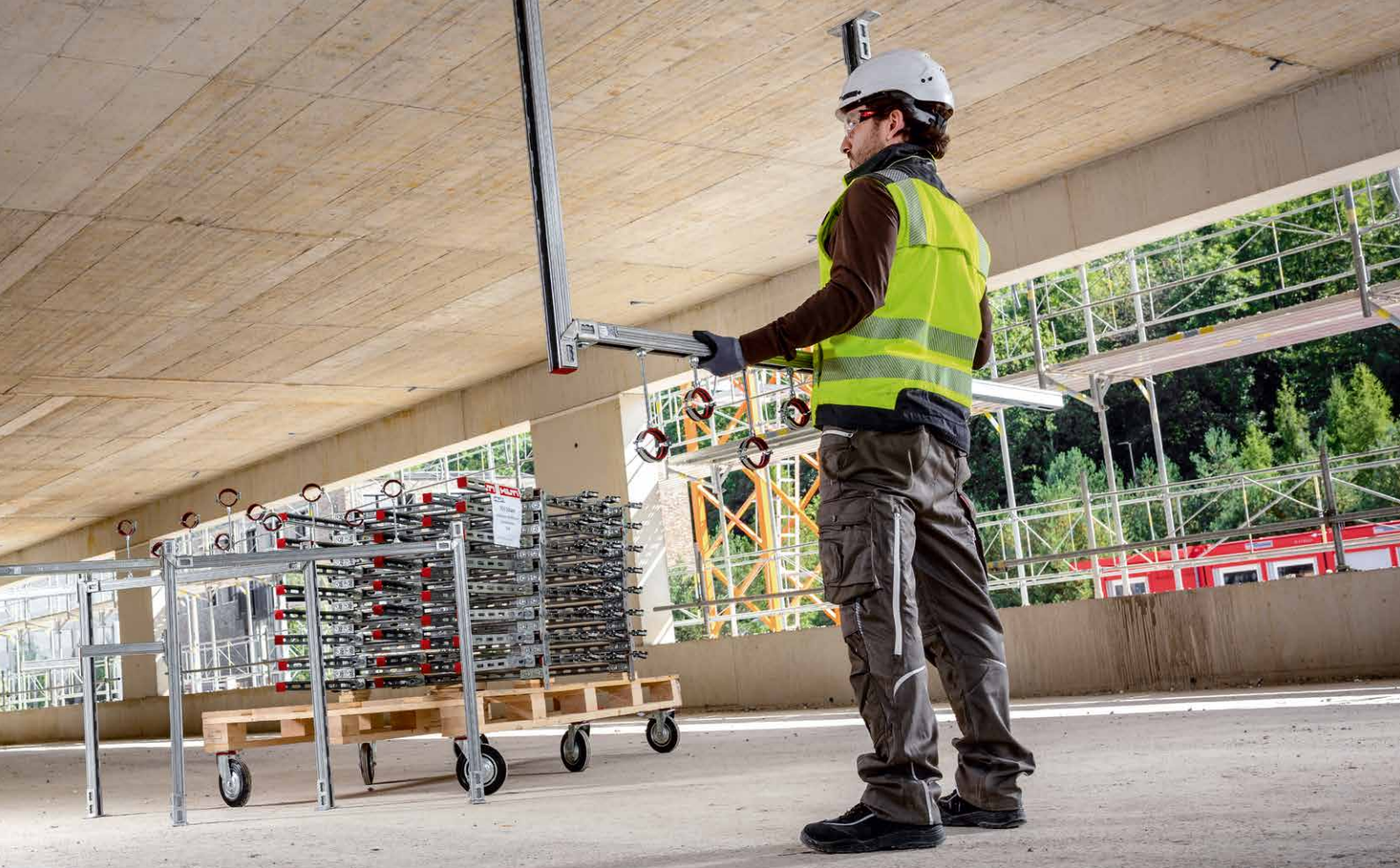


S-WWP-Z



S-WDF-Z





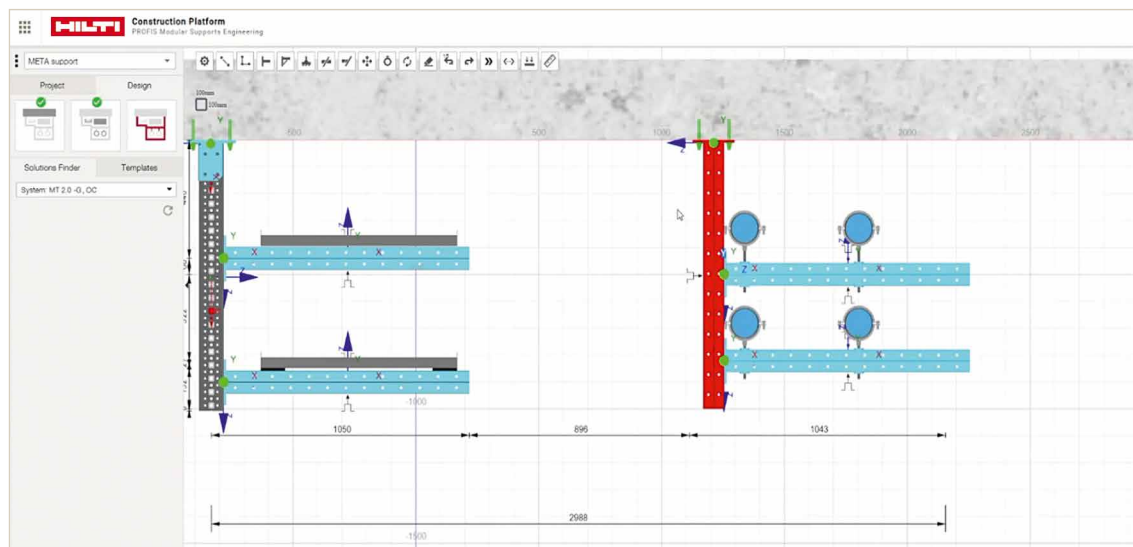
## MORE COMPLIANT INSTALLATIONS

Benefit from a wide range of codes and approvals coverage. Hilti's Engineering Service and Global Project Management support our customers in delivering safer projects on time.

## SOLUTIONS TAILORED TO YOUR NEEDS

The MT System can be cut and assembled on the jobsite and then adjusted during installation to save costly rework—all while virtually eliminating the need for welding.

Alternatively, Hilti can support your project with cutting, kitting and preassembly services.











Hilti Aktiengesellschaft  
9494 Schaan, Liechtenstein  
P +423-234 2965

[www.facebook.com/hiltigroup](https://www.facebook.com/hiltigroup)  
[www.hilti.group](https://www.hilti.group)